

1

2

3

4

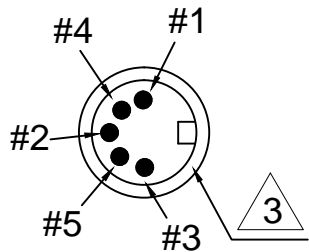
5

6

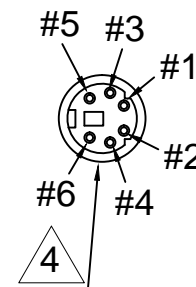
7

A

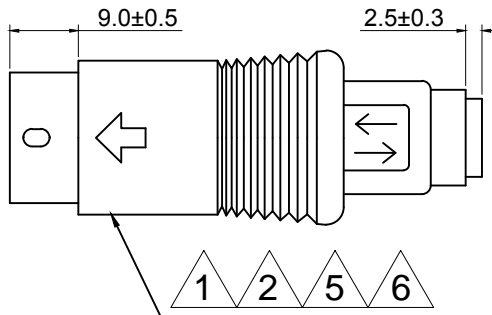
P1



P2

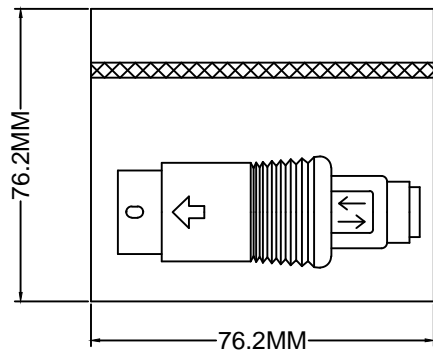


PIN ASSIGNMENT	
P1	P2
1 _____	5 _____
2 _____	1 _____
4 _____	3 _____
5 _____	4 _____
S _____	S _____



- Electrical test:
- 100% short, open, miss wire test
 - Conduct resistance: 3 Ohm(max)
 - Insulation resistance: 20Mohm(min)
 - Dielectric test: DC 300V

D



PE BAG: 76.2MM*76.2MM*0.06MM
1PCS/PE BAG

△6	OUT JACKET	PVC-BE02/50	7	G
△5	IN JACKET	PE-5321	2.8	G
△4	CONN	MINI DIN 6P FEMALE SOLDER TYPE	1	PCS
△3	CONN	DIN 5P MALE SODER TYPE	1	PCS
△2	CABLE	JUMP-26-1007	35*1	MM
△1	CABLE	JUMP-26-1007	30*4	MM
NO	NAME	DESCRIPTION	QTY	UNIT

F

G

RoHS compliant
Unit: mm

Scale	Free					Date	Name	Customer-No.	
TOLERANCE					Drawn	20.02.2017	Amy		
					Approved	20.02.2017	Amy	ASSMANN WSW-No.	
								AB961	
DIM	TOL	①	Change of production plant	12.11.2018	Xavier			Drawing-No.	
		②	Drawn	20.02.2017	Amy			ASS 7873 CA	rev01
Angle	TOL	Id.	Modification	Date	Name			Replace	Sheet 1/1

H

1

2

3

4

5

6

7

A

B

C

D

E

F

G

H