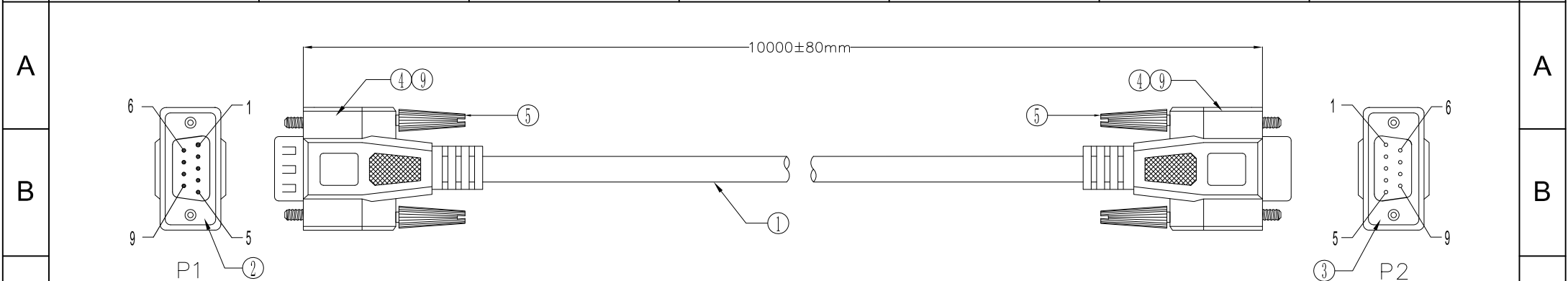
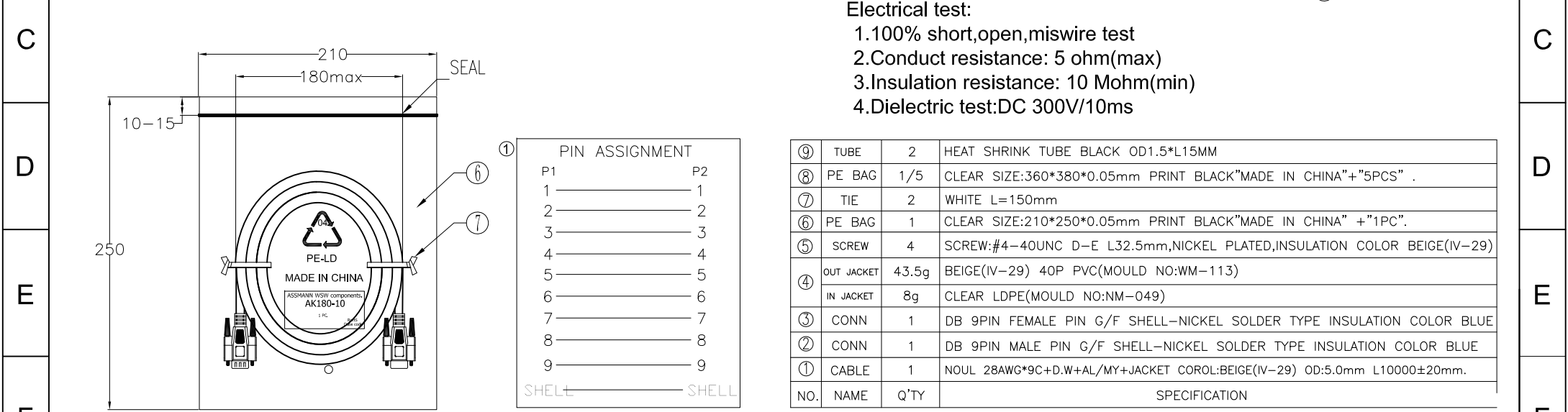


1 2 3 4 5 6 7



**Electrical test:**  
 1.100% short,open,miswire test  
 2.Conduct resistance: 5 ohm(max)  
 3.Insulation resistance: 10 Mohm(min)  
 4.Dielectric test:DC 300V/10ms



NO.	NAME	Q'TY	SPECIFICATION
⑨	TUBE	2	HEAT SHRINK TUBE BLACK OD1.5*L15MM
⑧	PE BAG	1/5	CLEAR SIZE:360*380*0.05mm PRINT BLACK"MADE IN CHINA"+ "5PCS" .
⑦	TIE	2	WHITE L=150mm
⑥	PE BAG	1	CLEAR SIZE:210*250*0.05mm PRINT BLACK"MADE IN CHINA" + "1PC".
⑤	SCREW	4	SCREW:#4-40UNC D-E L32.5mm,NICKEL PLATED,INSULATION COLOR BEIGE(IV-29)
④	OUT JACKET	43.5g	BEIGE(IV-29) 40P PVC(MOULD NO:WM-113)
	IN JACKET	8g	CLEAR LDPE(MOULD NO:NM-049)
③	CONN	1	DB 9PIN FEMALE PIN G/F SHELL-NICKEL SOLDER TYPE INSULATION COLOR BLUE
②	CONN	1	DB 9PIN MALE PIN G/F SHELL-NICKEL SOLDER TYPE INSULATION COLOR BLUE
①	CABLE	1	NOUL 28AWG*9C+D.W+AL/MY+JACKET COROL:BEIGE(IV-29) OD:5.0mm L10000±20mm.
NO.	NAME	Q'TY	SPECIFICATION

1PCS/PE BAG

**RoHS compliant**  
Unit: mm

Scale	Free				Date	Name	Customer-No.
TOLERANCE					Drawn	Amy	
					Approved	Fred	ASSMANN WSW-No.
							<b>AK180-10</b>
DIM	TOL	①	Delete the wire color for pin assignment	04.09.2017	Fred	Drawing-No.	
		②	Drawn	20.02.2017	Amy	<b>ASS 7892 CA</b>	
Angle	TOL	Id.	Modification	Date	Name	Replace	Sheet



1 2 3 4 5 6 7