

- Material:
- Item ④ Housing: Nylon PA9T G.F. Black
 - Item ④ Pin Terminal: Brass t=0.25mm Contact
Contact Area: Gold 30u" over Ni 40~60u"
Solder Area: Tin 120u" over Ni 40~60u"
 - Item ④ Shell: Brass t=0.4mm, 80~120u" Nickel Plated
 - Mylar Tape: Yellow
- Electrical:
- Current rating: 1.5A max.
 - Voltage Rating: 40V max.
 - Dielectric Withstanding Voltage: 500V AC for 1minute.
 - Contact Resistance: 30m ohms max.
 - Insulation Resistance: 100M ohms min.
- Mechanical:
- Durability (Life Test): 1500 Cycles
 - Unmating Force: 9.8N ~ 39.2N

Packaging: Tape & Reel

G	RoHS compliant Unit: mm	Scale	Free					Date	Name	Description: IEEE 1394 Connector 90° Angle SMT	G
		TOLERANCE		④	Update the note	12.05.2022	Peter	Drawn	25.06.2018		
H		X.	±0.38	③	Add mylar tape onto connector	12.07.2018	Xavier	Approved	12.05.2022	Peter	ASSMANN WSW-No. A-IES-SMT-U/R
		X.X	±0.25	②	Update	10.07.2018	Xavier				
		X.XX	±0.15	①	Update	10.07.2018	Xavier				Drawing-No. ASS 8005 CO
		Dim	TOL	①	Add packaging page	29.06.2018	Xavier				
		X°	±3°	①	Drawn	25.06.2018	Xavier				Customer-No.
		.X°	±1.0°	①	Drawn	25.06.2018	Xavier	Customer-No.			
Angle	TOL	Id.	Modification	Date	Name	Customer-No.					1/2

1

2

3

4

5

6

7

A

A

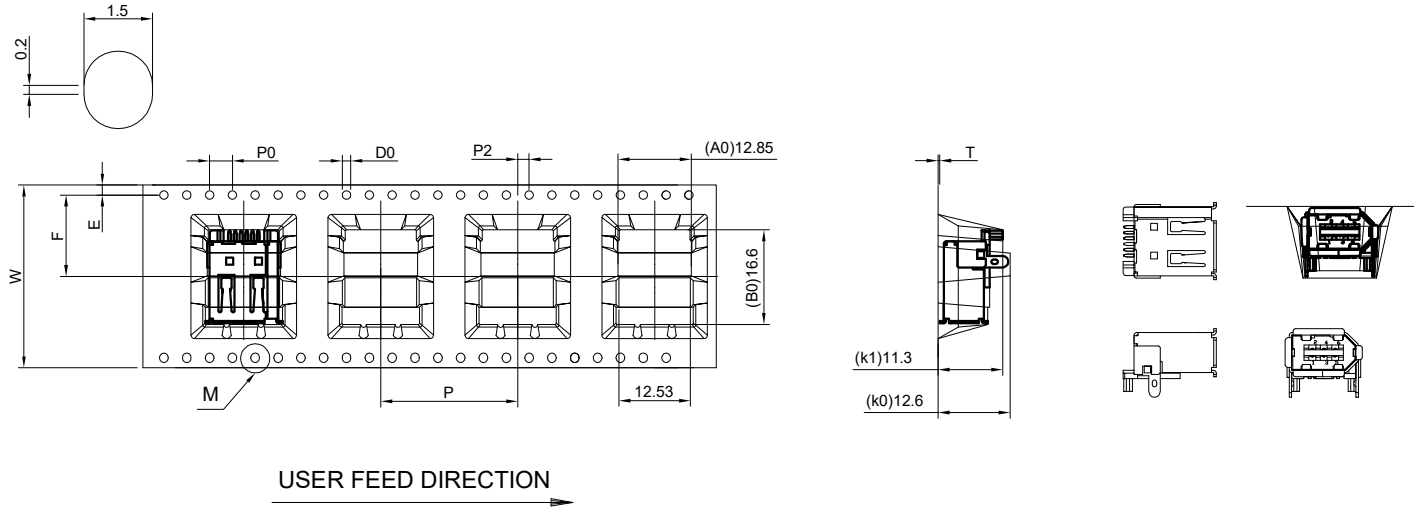
B

B

ITEM	W	A0	B0	K0	K1	P	F	E	D0	P0	P2	T	15"	
DIM	32.0	12.85	16.60	12.60	11.30	24.0	14.20	1.75	1.50	4.00	2.00	0.50	Length/Reel	PC/Reel
TOLE	+0.30 -0.30	+0.10 -0.10	+0.10 -0.10	+0.10 -0.10	+0.10 -0.10	+0.10 -0.10	+0.10 -0.10	+0.10 -0.10	+0.10 -0.00	+0.10 -0.10	+0.15 -0.15	+0.05 -0.05	4.8M	200pcs

C

C



D

D

E

E

F

F

G

G

RoHS compliant
Unit: mm

Scale	Free							Date	Name	Description. IEEE 1394 Connector Packing Method	
TOLERANCE		④	Update the note	12.05.2022	Peter	Drawn	25.06.2018	Xavier	ASSMANN WSW-No. A-IES-SMT-U/R		
X.	±0.38	③	Add mylar tape onto connector	12.07.2018	Xavier	Approved	12.05.2022	Peter			
X.X	±0.25	②	Update	10.07.2018	Xavier				Drawing-No.		ASS 8005 CO rev04
X.XX	±0.15	①	Add packaging page	29.06.2018	Xavier				Customer-No.		
Dim	TOL	①									
X°	±3°	①	Drawn	25.06.2018	Xavier						
.X°	±1.0°	①									
Angle	TOL	Id.	Modification	Date	Name						

H

H

1

2

3

4

5

6

7