

N = Number of poles  
 Dim A = N x 5.0 + 2.0  
 Dim B = (N - 1) x 5.0

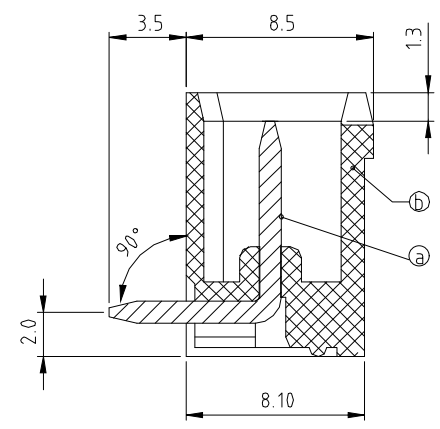
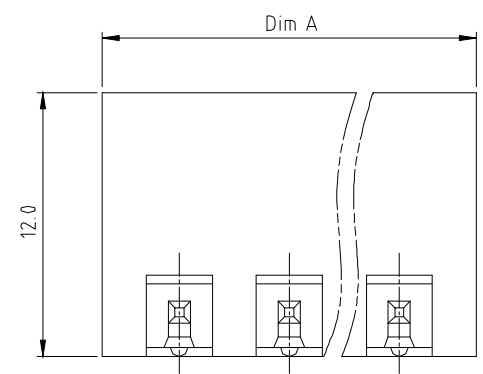
Poles	Dim A	Dim B
2-6p	±0.20	±0.15
7-12p	±0.25	±0.20
13-18p	±0.30	±0.25
19-24p	±0.35	±0.30

**Material**

Male contact (Item a): Copper, Tin plated  
 Terminal housing (Item b): Thermoplastic, UL94V-0  
 Electrical: cULus / VDE / TUV  
 Voltage rating: 300V / 300V / 300V  
 Current rating: 20A / 20A / 20A  
 Withstanding Voltage: 1.6KV/2.5KV/2.5KV  
 Operating temperature: -40°C to +115°C  
 Soldering temperature: 260°C ± 5°C / 5s  
 SAFETY APPROVAL : us  
 Order code:

③ A-TB500-OQxxCH-x

Color of housing:  
 Blank: Green  
 BK: Black



**RoHS compliant**  
 Unit: mm  
  
 File No.: E349947

Scale	1:1	Date	02.07.2018	Name	Xavier	Description:					
<b>TOLERANCE</b>		Drawn	02.07.2018	Xavier							
X.	±0.50	③ Add UL No. and PN	23.03.2022	Daniel	Approved	23.03.2022	Daniel	ASSMANN WSW-No. <b>A-TB500-OQxxCH-x</b>			
X.X	±0.30	② Update	18.02.2019	Xavier							
X.XX	±0.10	① Correct Pin Length	15.09.2018	Xavier							
DIM	TOL	① Drawn	02.07.2018	Xavier					Drawing-No.	ASS 8027 CO	rev03
X.°	±1°	①							Customer-No.		Sheet 1/1
X.X°	±X°	①									
Angle	TOL	Id.	Modification	Date	Name						