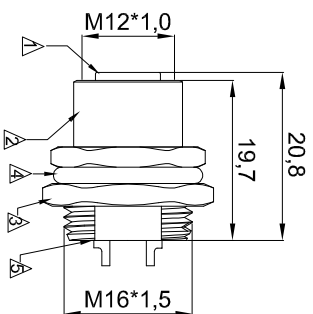
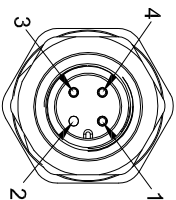


RECOMMENDED
PANEL CUT-OUT



②Notes:

1. Waterproof connector rating is IP67/IP68
2. Insulation Resistance: >100MΩ
3. Contact Resistance: ≤10mΩ
4. Mating Cycle: 100 times Min, 500 times Max.
5. Operating temperature: -25°C ~ +85°C
- ① 6. Unshielded

ITEM	DESCRIPTION	QTY	UNIT
5	BLACK GLUE A/B (ETHOXYLINE RESIN)	2	G
4	O-RING GREEN FKM Ø13.0 * Ø2.0mm	1	PCS
3	M16 BRASS PLATED N1 L*W=2.8*18mm	1	PCS
2	M12 COPPER NICKEL PLATED REAR LOCK SHELL M16*15 L=19.7	1	PCS
① 1	M12 Female CONNECTOR UL94V-0 Black Solder Pin 1u" Gold plated	1	SET

Part Number	Contacts	Rated Voltage		Rated Current	Cable OD
		A/C	D/C		
A-M12-03-FGMA-GHB2		250V	250V	4A	26~20AWG
A-M12-04-FGMA-GHB2		250V	250V	4A	26~20AWG
A-M12-05-FGMA-GHB2		60V	60V	4A	26~20AWG
A-M12-08-FGMA-GHB2		30V	30V	2A	26~22AWG
A-M12-04-FGMD-GHB2		250V	250V	4A	26~20AWG
A-M12-05-FGMB-GHB2		60V	60V	4A	26~20AWG

Customer-No.

ASSMANN WSW-No.

A-M12-xx-FGMX-GHB2

Drawing-No.

ASS 8055 CO rev02

Replace Sheet

RoHS compliant

Unit: mm

Scale	Free	Id.	Modification	Date	Name
TOLERANCE					
.X	±0.5	②	Remove "resistance many oils and chemical" from notes	06.09.2019	Amy
.XX	±0.20	①	Update the notes	26.04.2019	Segal
DIM	TOL	①	Drawn	28.09.2018	Segal
X.°	±2.0°	①			
.X°	±1.0°				
Angle	TOL				

1

2

3

4

5

6

7

SV4471