

1

2

3

4

5

6

7

A

B

C

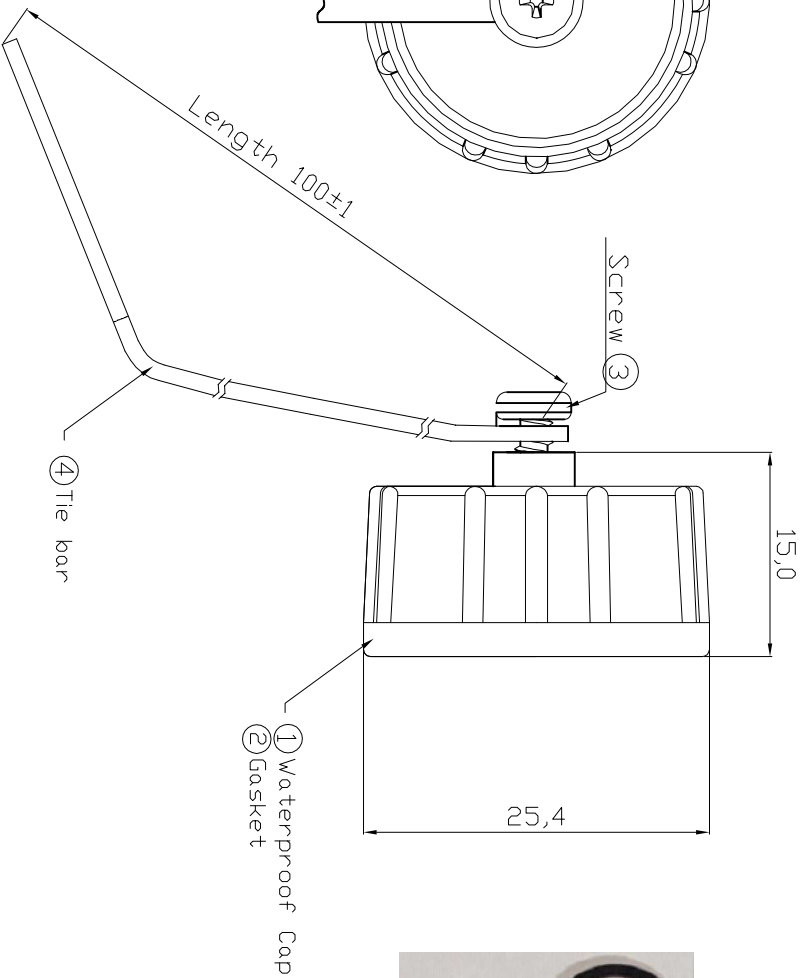
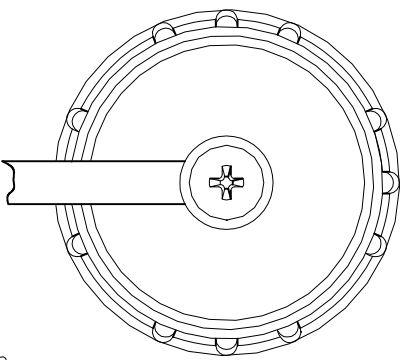
D

E

F

G

H



NOTES:

Waterproof Rate: IP67
 Cap: Black, Nylon+30%GF
 Gasket: Black, EPDM
 Thread : 1/3/16"-28UN
 Tie bar: EPDM, BLACK, UL94V-0.

ROHS compliant
 Unit:mm

Scale	Free
TOLERANCE	
.X	±0.25
.XX	±0.1
.XXX	±0.05
Angle	±1°

Id.	Modification	Date	Name
①	Drawn	27.07.2018	Amy

Date	Name
Drawn 27.07.2018	Amy
Approved 27.07.2018	Amy



Customer-No.	ASSMANN WSW-No.	A-WP-COVER5
Drawing-No.	ASS 8082 CO	rev00
Replace		Sheet

1

2

3

4

5

6

7

A

B

C

D

E

F

G

H