

1

2

3

4

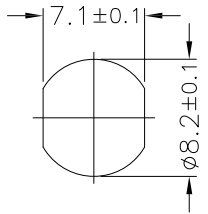
5

6

7

A

A



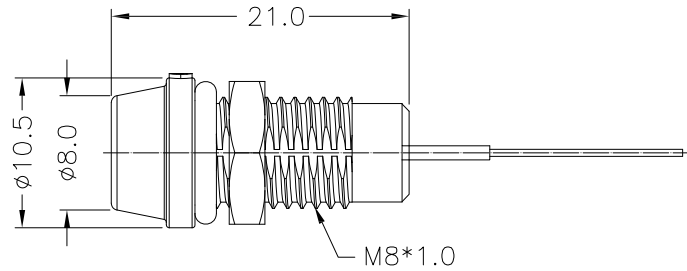
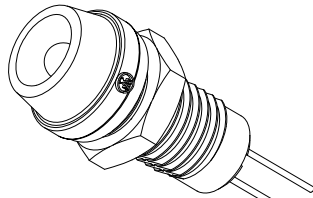
Recommended Panel Cut-Out

B

B

C

C



Notes:

Waterproof Rate: IP67

LED Holder: PC+ABS, Black

LED: Ø3mm, White

O-ring: EPDM, Black

Screw Nut: Nylon + GF

Operating Temperature: -40°C ~ +80°C

For Panel Thickness 6.5mm Max.

Forward Voltage: White Typ. 3.5V/ Max. 4(V).

Forward Current: White Max. 30mA.

Reverse Voltage: DC 5V

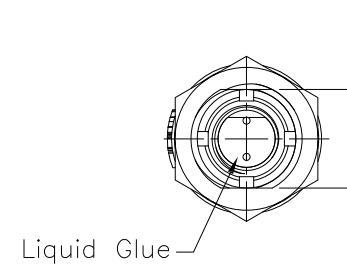
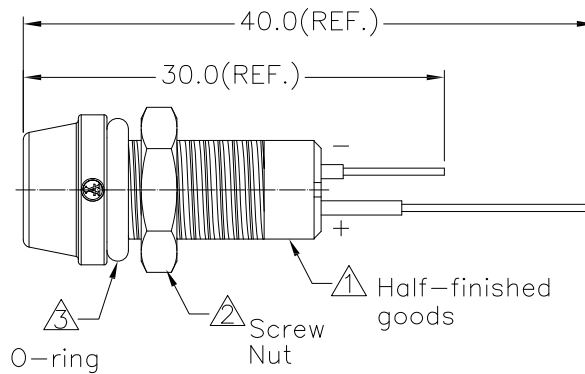
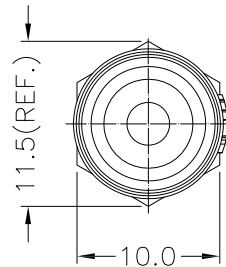
Luminous Intensity: Min. 2100/ Typ. 4000(Mcd)

D

D

E

E



F

F

RoHS compliant

Unit: mm

Scale	Free					Date	Name	Customer-No.
TOLERANCE					Drawn	07.09.2018	Segal	ASSMANN WSW-No. A-LED8-1WAAS-PR7-1
.X	±0.25				Approved	07.09.2018	Amy	
.XX	±0.1							
.XXX	±0.05							
DIM	TOL							Drawing-No.
								ASS 8215 CO
								rev00
Angle	±1°	Id.	Modification	Date	Name			Sheet

1

2

3

4

5

6

7

H

H