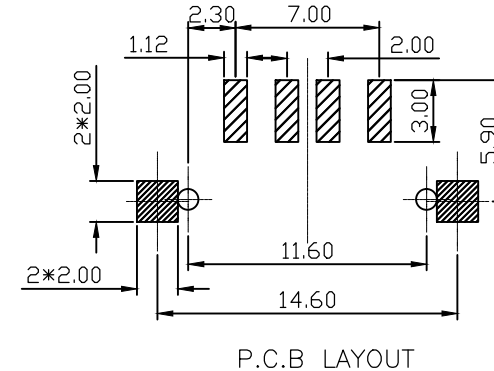
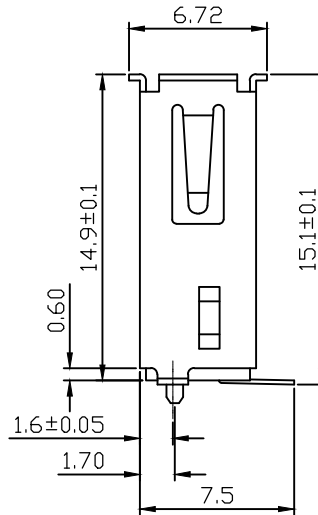
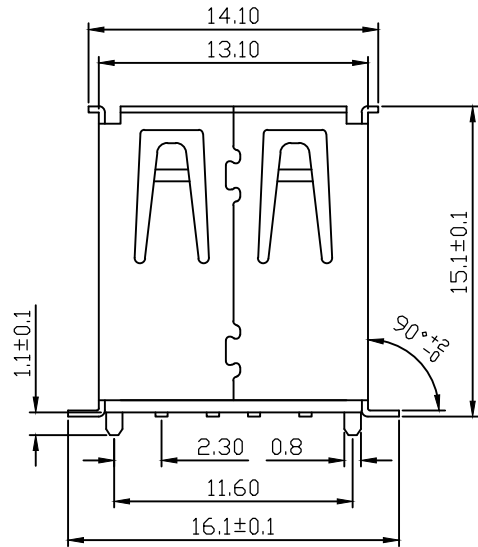
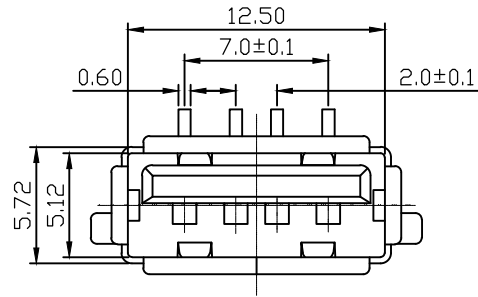


① **USB2.0 COMPLIANT**



NOTES:

Material

1. Insulator: White, UL94V-0, PA9T
2. Contact Pin: phosphor Bronze
Gold flash on contact area, Tin plated on Tail
3. Shell: Brass, Nickel Plated


Electrical

1. Current Rating: 1.0A /Contact max.
2. Voltage Rating: 30V AC/DC
3. Contact Resistance: ≤30mΩ
4. Insulation Resistance: ≥1000MΩ at 100V
5. Withstanding Voltage: 500V AC/minute

Mechanical:

1. Operating Temperature: -40°C~ +105°C
 2. Soldering Temperature: +260°C±5S max. for PA9T
- Packing: Tray

RoHS compliant
Unit: mm

| Scale | Free | | | | | Date | Name | Customer-No. |
|-----------|-------|-----|--------------|------------|--------|---|------------|--------------|
| TOLERANCE | | | | | | Drawn | 25.01.2019 | Xavier |
| X. | ±0.38 | | | | | Approved | 25.01.2019 | Winnie |
| X.X | ±0.30 | | | | | | | |
| X.XX | ±0.20 | | | | | | | |
| DIM | TOL | ① | Update | 15.08.2019 | Xavier |  | | |
| 0.° | ±3° | ② | Drawn | 25.01.2019 | Xavier | | | |
| 0.0° | ±1° | | | | | | | |
| Angle | TOL | Id. | Modification | Date | Name | | | |

| | |
|--|--------------|
| ASSMANN WSW-No. A-USB2-AFN-EG-GSP1 | |
| Drawing-No. ASS 8347 CO | rev01 |
| Replace | Sheet 1/1 |