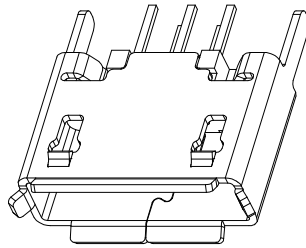
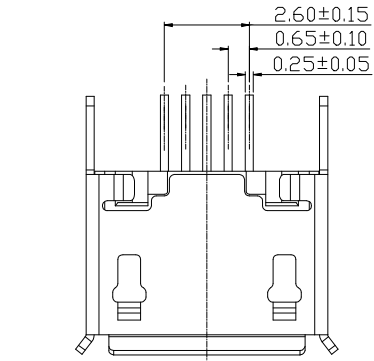


① **USB2.0 COMPLIANT**



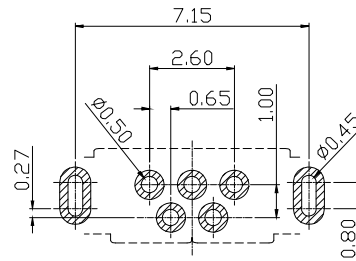
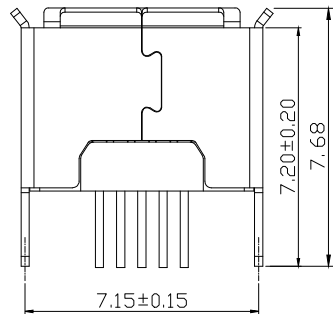
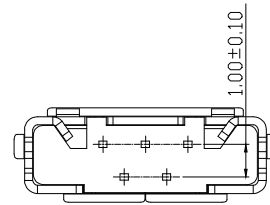
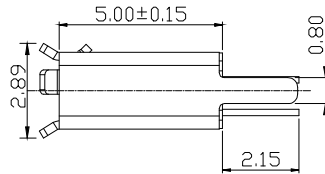
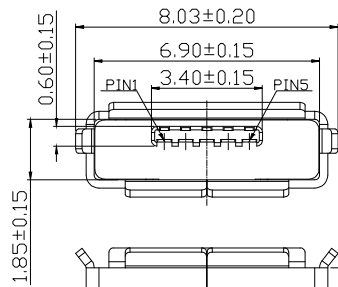
Notes:

Material:

- 1. Housing: LCP+30%GF UL94V-0 BLACK
- 2. Contact: Copper alloy, t=0.20mm,
Contact area: Gold plated
- ② Soldering area: Tin
- 3. Shell: Copper alloy, t=0.25mm

Electrical:

- ③ 1. Current rating: 1.8A Max.
 - 2. Voltage rating: 30V
 - 3. Dielectric withstanding voltage: 100V(ac) for 1 Min.
 - 4. Contact resistance: 50mΩ, Max.
 - 5. Insulation resistance: 100MΩ, Min.
 - 6. Total mating force: 3.57 Kgf Max.
 - 7. Total unmating force: 1.0 Kgf Min.
 - ② 8. Durability: 10000 cycles Min.
 - 9. Temperature range: -30°C~80°C
 - ② 10. Soldering temperature: 255±5°C for 3~5s
- Packing: Tape& Reel



P.C.B LAYOUT

A-USB2-CFC-EG-xRR1

G Gold flash
H Au 30u"

RoHS compliant
Unit: mm

Scale	Free					Date	Name	Customer-No.
TOLERANCE						Drawn	07.05.2019	Xavier
X.X	±0.30							
X.XX	±0.20	③	Update current rating	12.05.2020	Luca	Approved	12.05.2020	Luca
X.XXX	±0.10	②	Update	15.11.2019	Carson			
DIM	TOL	①	Update	15.08.2019	Xavier			
X.X°	±3°	①	Update	07.05.2019	Xavier			
X.XX°	±2°	①	Drawn					
Angle	TOL	Id.	Modification	Date	Name			Drawing-No.
								ASS 8380 CO
						Replace		Sheet 1/1



ASS 8380 CO

rev03

Replace

Sheet 1/1