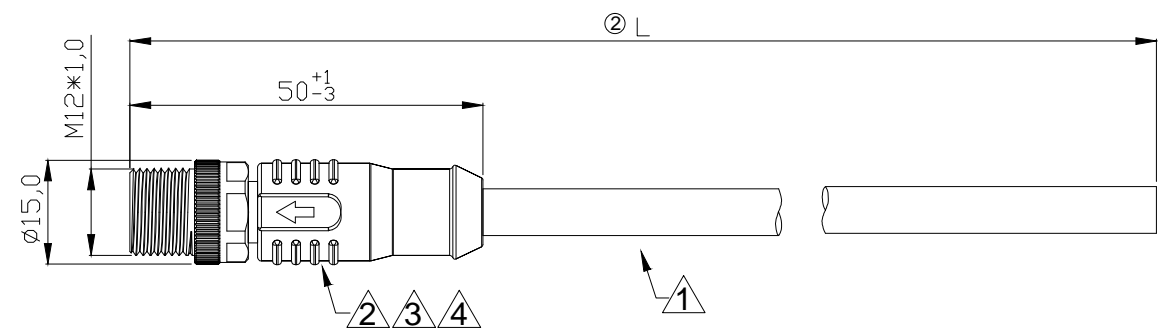
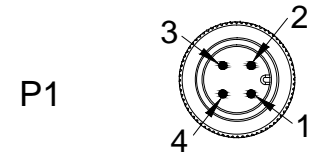


1 2 3 4 5 6 7

A
B
C
D
E
F
G
H

A
B
C
D
E
F
G
H



P2

Part Number	Contacts	Cable Specification	Cable OD (mm)	Rated voltage AC / DC	Rated Current
A-M12A04MOExxx2BK00		24AWG*4C	5.0	250V	4A
A-M12A05MOExxx2BK00		24AWG*5C	5.0	60V	4A
A-M12A08MOExxx2BK00		26AWG*8C	5.0	30V	2A
A-M12A12MOExxx2BK00		26AWG*12C	6.5	30V	1.5A

WIRE LIST

A-M12A05MOE-10002BK00			A-M12A08MOE-10002BK00			A-M12A12MOE-10002BK00		
P1	COLOR	P2	P1	COLOR	P2	P1	COLOR	P2
1	BROWN	OPEN	1	WHITE	OPEN	1	BLUE	OPEN
2	WHITE		2	BROWN		2	ORANGE	
3	BLUE		3	GREEN		3	GREEN	
4	BLACK		4	YELLOW		4	BROWN	
5	GREY		5	GREY		5	GREY	
		6	PINK	6		WHITE		
		7	BLUE	7		RED		
		8	RED	8		BLACK		
				9	YELLOW			
				10	PURPLE			
				11	PINK			
				12	LIGHT BLUE			

- Notes:
 Detailed Product Description:
 1. Waterproof connector rating is IP67/IP68
 2. Outer Jacket material : PUR Black
 3. Protected from dust and water during immersion, resistant to many oils and chemical etc.
 4. Insulation Resistance: >100MΩ.
 5. Contact Resistance of connector: ≤10mΩ.
 6. Operating temperature: -25°C ~ +85°C.

③② A-M12AxxMOExxx02BK00
 Pin Number: _____
 L:
 050: 500mm ±20mm
 100: 1000mm ±30mm
 200: 2000mm ±50mm
 300: 3000mm ±60mm
 500: 5000mm ±100mm

ITEM	SPECIFICATION	Q'TY	UNIT
④	BLACK PUR	6	G
③	HD PE	3	G
②	M12 A CODING MALE CONNECTOR	1	SET
①	UL20549 JACKET BLACK PUR	1	PCS

RoHS compliant
 Unit: mm

Scale	Free					Date	Name	Customer-No.
TOLERANCE					Drawn	21.11.2018	Segal	
.X	±0.5							
.XX	±0.20	③	Update order code	31.05.2023	Winnie	Approved	31.05.2023	Winnie
		②	Update the cable length	15.08.2019	Segal			
DIM	TOL	①	Update the P/N	26.01.2019	Segal			
X.	±2.0°	①	Drawn	21.11.2018	Segal			
.X	±1.0°	①						
Angle	TOL	Id.	Modification	Date	Name			



ASSMANN WSW-No. ③②① A-M12AxxMOExxx02BK00	
Drawing-No. ASS 8414 CA	rev03
Replace	Sheet

1 2 3 4 5 6 7