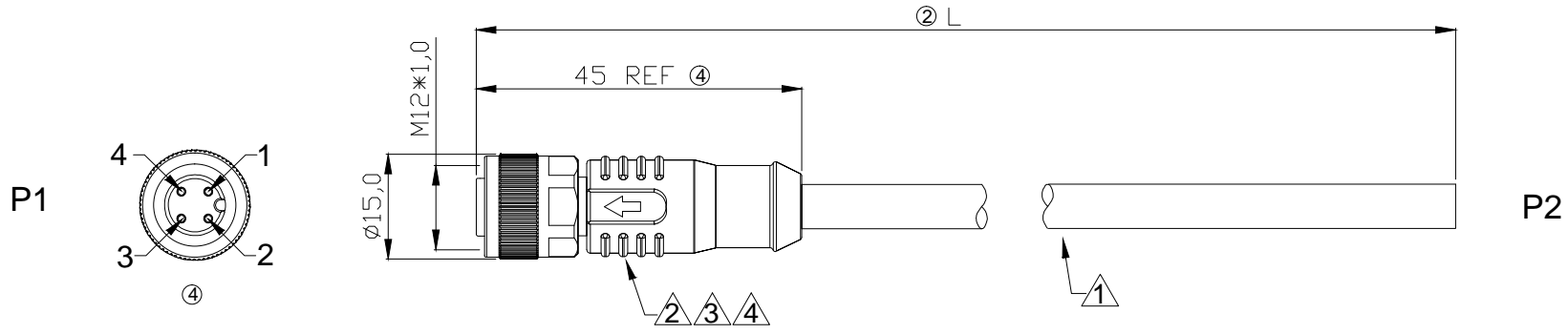


1 2 3 4 5 6 7



WIRE LIST

① ②	WSW P/N	Contacts	Cable Specification	Cable OD (mm)	Rated voltage AC / DC	Rated Current
	A-M12A04FOExxxx2BK00		24AWG*4C	5.0	250V	4A
	A-M12A05FOExxxx2BK00		24AWG*5C	5.0	60V	4A
	A-M12A08FOExxxx2BK00		26AWG*8C	5.0	30V	2A
	A-M12A12FOExxxx2BK00		26AWG*12C	6.5	30V	1.5A

A-M12A05FOE-xxxx2BK00		
P1	COLOR	P2
1	BROWN	OPEN
2	WHITE	
3	BLUE	
4	BLACK	
5	GREY	

A-M12A08FOE-xxxx2BK00		
P1	COLOR	P2
1	WHITE	OPEN
2	BROWN	
3	GREEN	
4	YELLOW	
5	GREY	
6	PINK	
7	BLUE	
8	RED	

A-M12A12FOE-xxxx2BK00		
P1	COLOR	P2
1	BLUE	OPEN
2	ORANGE	
3	GREEN	
4	BROWN	
5	GREY	
6	WHITE	
7	RED	
8	BLACK	
9	YELLOW	
10	PURPLE	
11	PINK	
12	LIGHT BLUE	

A-M12A04FOE-xxxx2BK00		
P1	COLOR	P2
1	BROWN	OPEN
2	WHITE	
3	BLUE	
4	BLACK	

Notes: ④
 Detailed Product Description:
 1. Waterproof connector rating is IP67
 2. Outer Jacket material : PUR Black
 3. Protected from dust and water during immersion, resistant to many oils and chemical etc.
 4. Insulation Resistance: >100MΩ.
 5. Contact Resistance of connector: ≤10mΩ.
 6. Operating temperature: -25°C ~ +80°C.

③② A-M12AxxFOExxx02BK00
 Pin Number: _____
 L:
 050: 500mm ±20mm
 100: 1000mm ±30mm
 200: 2000mm ±50mm
 300: 3000mm ±60mm
 500: 5000mm ±100mm

④	BLACK PUR	6	G
③	Amber Low Pressure Injection Compound ④	3	G
②	M12 A CODING FEMALE CONNECTOR	1	SET
①	UL20549 JACKET BLACK PUR	1	PCS
ITEM	SPECIFICATION	Q'TY	UNIT

RoHS compliant
 Unit: mm

Scale	Free					Date	Name	Description: Circular Cable
TOLERANCE		④	Update dimension, notes and BOM	22.01.2024	Luca	Drawn	21.11.2018	Segal
.X	±0.5	③	Update the order code	31.05.2023	Winnie	Approved	22.01.2024	Luca
.XX	±0.20	②	Update the cable length	15.08.2019	Segal			
DIM	TOL	①	Update the P/N	26.01.2019	Segal			
X.	±2.0°	①	Drawn	21.11.2018	Segal			
.X	±1.0°	①						
Angle	TOL	Id.	Modification	Date	Name			



ASSMANN WSW-No.
 ③②① A-M12AxxFOExxx02BK00
 Drawing-No. ASS 8415 CA rev04
 Customer-No. Sheet

1 2 3 4 5 6 7