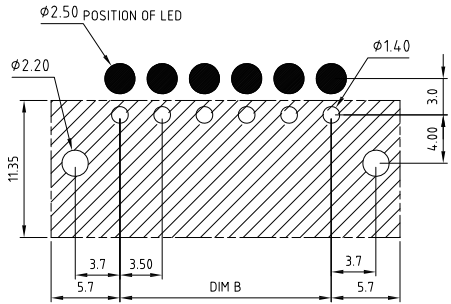
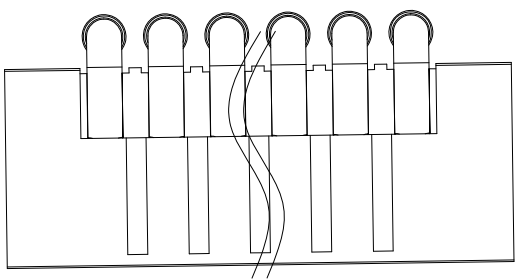


A



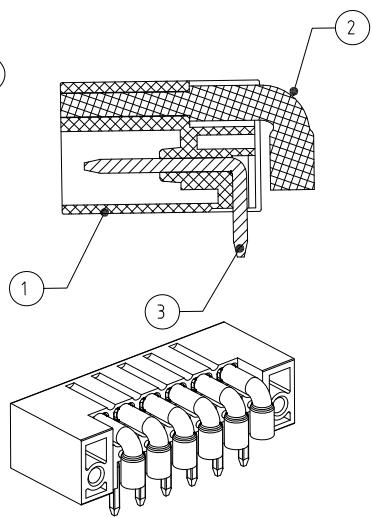
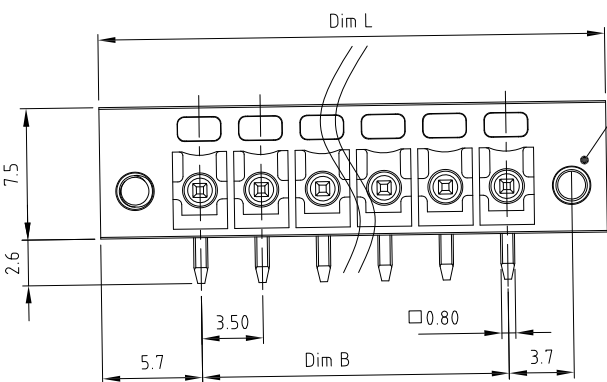
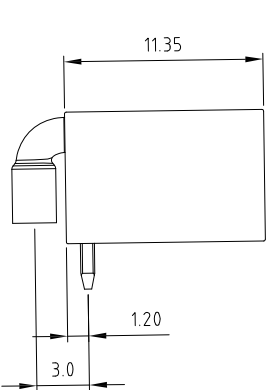
- Notes:
- 1.Nominal voltage: 300V/8A
PITCH:3.5mm
 - 2.Insulation Withstands Voltage:
AC1600V/MIN
 - 3.Insulation Resistace:
1000M Ω or more at DC500V
 - 4.Using temperature range:-40C°~115C°
 - 5.Soldering temperature range:260C° \pm 5C°/10sec

A

B

B

C



Undimensioned Tolerances:

| | | |
|---------------------|------------|------------|
| Dim.L=(P-1)x3.5+4.2 | | |
| Dim.B=(P-1)x3.5 | | |
| P= number of poles | | |
| | Dim B | Dim L |
| 0-30mm | ± 0.15 | ± 0.20 |
| over 30mm-60mm | ± 0.20 | ± 0.25 |
| over 60mm-90mm | ± 0.25 | ± 0.30 |
| over 90mm | ± 0.30 | ± 0.40 |

C

D

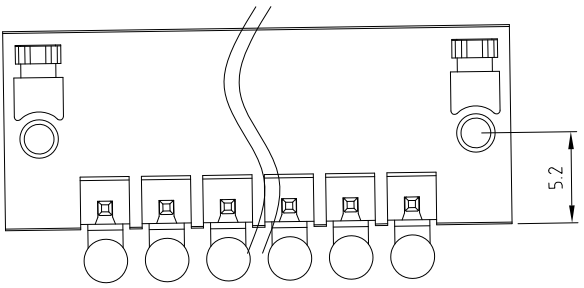
D

E

E

F

F



| | | | | |
|------|--------------|--------------|------------|------|
| 4 | FLANGE NUT | BRASS | M2.0 | 2 |
| 3 | PIN | COPER | TIN PLATED | P |
| 2 | Light guide | PC UL94V-0 | | P |
| 1 | BODY | PA6T UL94V-0 | BLACK | 1 |
| ITEM | NAME OF PART | MATERIAL | NOTES | Q"TY |

RoHS compliant
Unit: mm

| | |
|-----------|---------------|
| Scale | Free |
| TOLERANCE | |
| X. | ± 0.50 |
| X.X | ± 0.30 |
| X.XX | ± 0.20 |
| DIM | TOL |
| X.° | $\pm 5^\circ$ |
| Angle | TOL |

| | | |
|-------|--------------|--------|
| Drawn | 02.09.2019 | Winnie |
| Id. | Modification | Date |

| | |
|--------------|--|
| Date | 02.09.2019 |
| Name | Winnie |
| Customer-No. | ASSMANN WSW-No. A-TB-3500-xx-F54 |
| Drawing-No. | ASS 8464 CO rev00 |
| Replace | Sheet |

G

H

H