

1

2

3

4

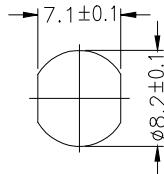
5

6

7

A

A



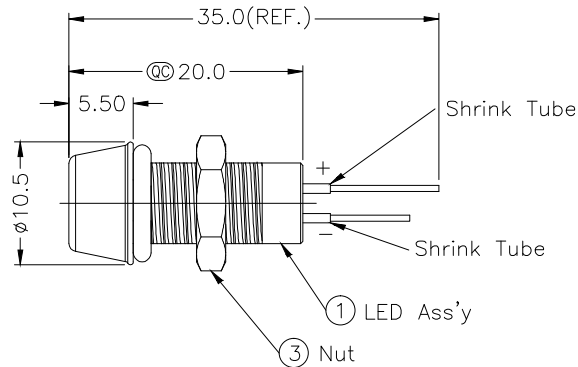
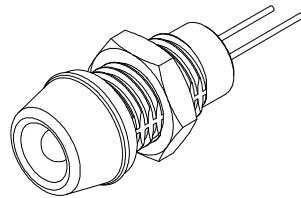
Recommended Panel Cut-Out

B

B

C

C



Notes:

QC Important Dimension To Check;

Waterproof Rate: IP67;

LED Holder: Brass, Nickel Plating;

LED: Ø3mm, Yellow;

① O-Ring: EPDM, Black;

Screw Nut: Brass, Nickel Plating;

Operating Voltage: DC 4V;

Operating Temperature: -40°C ~ +80°C

For Panel Thickness 6.5mm Max;

Forward Voltage: Yellow Typ. 2.0V/ Max. 2.4(V);

Forward Current: Yellow Max. 30mA;

Reverse Voltage: DC 5V;

Luminous Intensity: Yellow Min. 770/ Max. 1600(Mcd);

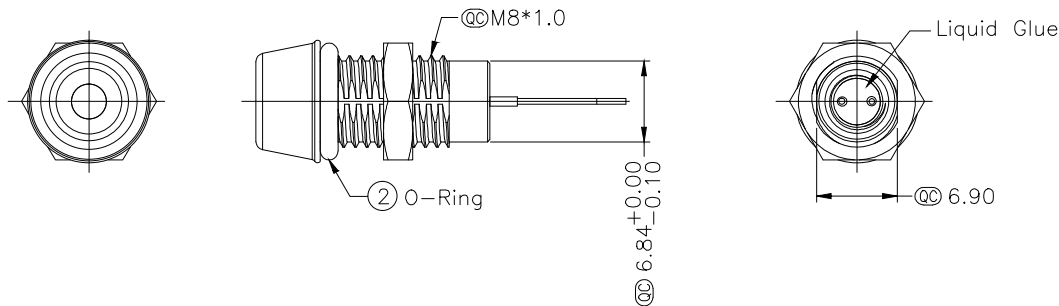
Use Unprinted Carton Packaging.

D

D

E

E



RoHS compliant

Unit: mm

Scale	Free				Date	Name	Customer-No.
TOLERANCE					Drawn	19.11.2019	Segal
.X	±0.25				Approved	06.08.2021	Segal
.XX	±0.1						
.XXX	±0.05						
DIM	TOL	①	Update the notes	06.08.2021	Segal	ASSMANN WSW-No. A-LED8-1YAAS-MR7-1	
		②	Drawn	19.11.2019	Segal	Drawing-No.	ASS 8506 CO
Angle	±1°	Id.	Modification	Date	Name	Replace	rev01
						Sheet	1/2

ASSMANN
WSW components

1

2

3

4

5

6

7

H

H

1

2

3

4

5

6

7

A

A

B

B

C

C

D

D

E

E

F

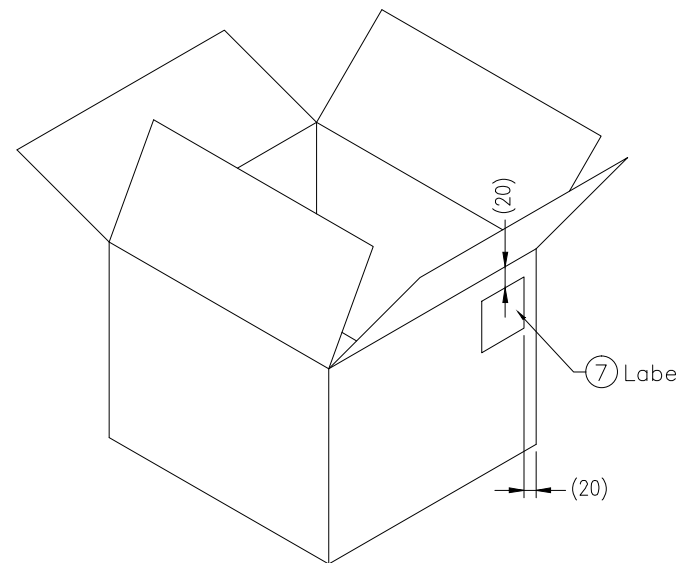
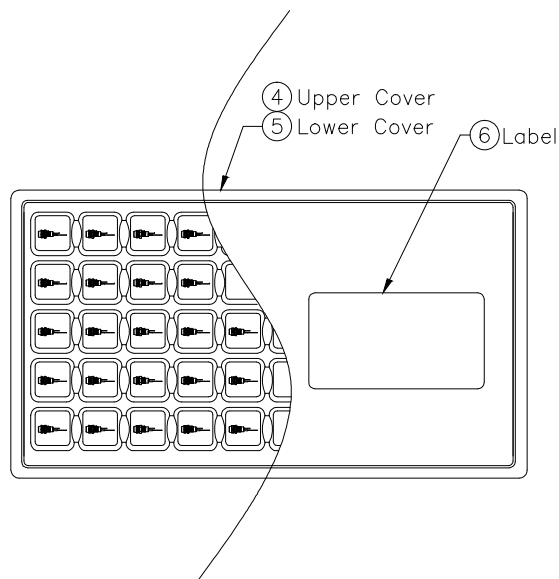
F

G

G

H

H



RoHS compliant
Unit: mm

Scale	Free						Date	Name	Customer-No.	
TOLERANCE						Drawn	19.11.2019	Segal	ASSMANN WSW-No. A-LED8-1YAAS-MR7-1	
.X	±0.25					Approved	06.08.2021	Segal		
.XX	±0.1									
.XXX	±0.05								Drawing-No.	
DIM	TOL	①	Update the notes	06.08.2021	Segal				ASS 8506 CO	rev01
		②	Drawn	19.11.2019	Segal				Replace	Sheet
Angle	±1°	Id.	Modification	Date	Name				2/2	

1

2

3

4

5

6

7