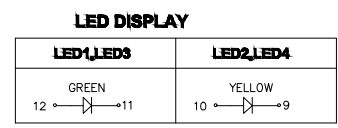
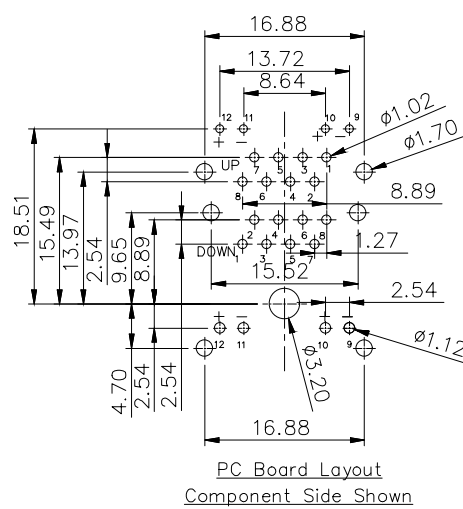


NOTES:
Material:
 1. Housing: High temperature, UL94V-0 Black
 2. Contact: Phosphor bronze, Gold plated & Tin over nickel (see details in article code)

Electrical physical:
 1. Voltage rating: 125V RMS
 2. Current rating: 1.5 AMP
 3. Contact resistance: 50mΩ max.
 4. Insulation resistance: 1000MΩ min. @ 500VDC
 5. Dielectric withstanding resistance: 1000V AC RMS 60Hz (1min.)

6. Durability: 750 cycles min.
 7. Temperature: -40°C ~ +85°C

① Package: Tube



A-MJL-8DA-xRP-SGY1

G=3μ"Gold selective Tin
 P=15μ"Gold selective Tin
 H=30μ"Gold selective Tin

G	RoHS compliant Unit: mm	Scale	Free				Date	Name	Description: 2X1 THT with LED Modular Jack		
		TOLERANCE					Drawn	22.09.2020	Winnie	ASSMANN WSW-No. A-MJL-8DA-xRP-SGY1	
		X.	±0.50				Approved	30.06.2022	Winnie		
		X.X	±0.38								
H		X.XX	±0.25						Drawing-No.		
		X.XXX	±0.15	①	Update the packing to tube	30.06.2022	Winnie	ASSMANN WSW components		ASS 8668 CO rev01	
		DIM	TOL	②	Drawn	22.09.2020	Winnie			Replace	
		Angle	±5°	ld.	Modification	Date	Name				