

1

2

3

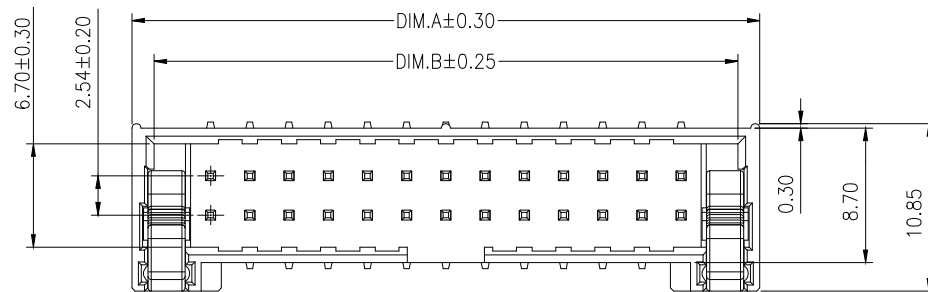
4

5

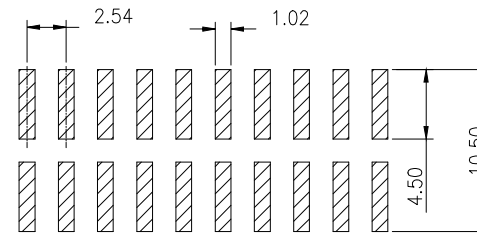
6

7

A



### Recommended P.C.B Layout (Top Side) (PCB BOARD TOLERANCE ± 0.05)



#### NOTES:

##### MATERIAL

1. Insulator Material: PA9T+30%G.F.(UL94V-0), Black
2. Latch Material: PA9T+30%G.F.(UL94V-0), Black
3. Contact Material : Brass
4. Contact Plating : Gold Flash / Over Ni
5. Fix Axle: Brass
5. Fix Axle Plating: Ni

##### ELECTRICAL

1. Current Rating : 1.0AMP
2. Withstand Voltage : 500V AC/minute
3. Contact Resistance : 20mΩ max
4. Insulation Resistance: 1000MΩ min

##### ENVIRONMENTAL

1. Operation Temperature: -40°C to +105°C
2. Soldering Temperature: 255°C±5°C/5s±1s
3. Packing : Tube
4. No. of Contact : 06~64

##### Order Code:

- AWHW-254-xxST10 :Short Latch  
AWHW-254-xxST12 :Long Latch

A

B

C

D

E

F

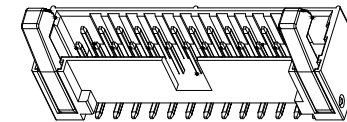
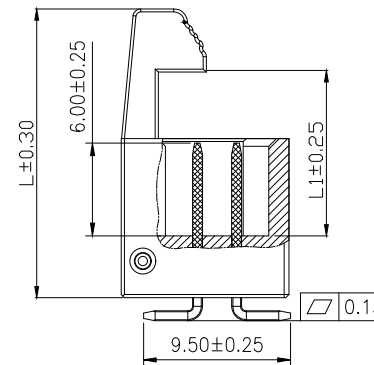
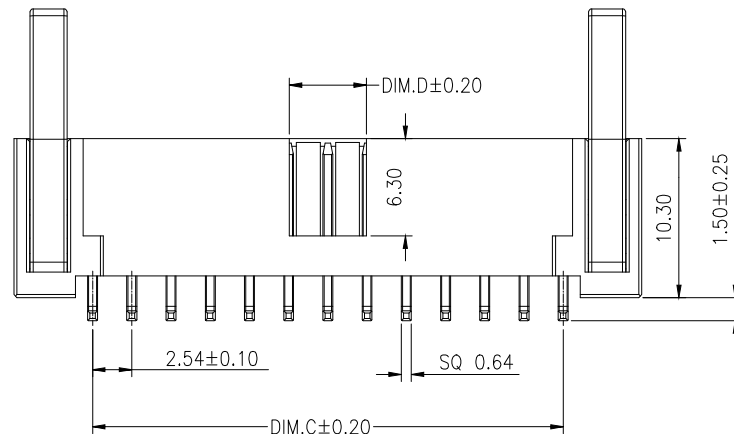
B

C

D

E

F



DIM	Long Latch	Short Latch
L	22.10	18.70
L1	14.60	10.60

No. Of POSITION	DIM.A	DIM.B	DIM.C	DIM.D
6	15.28	12.42	5.08	2.30
8	17.82	14.96	7.62	2.30
10	20.36	17.50	10.16	5.00
12	22.90	20.04	12.70	5.00
14	25.44	22.58	15.24	5.00
16	27.98	25.12	17.78	5.00
20	33.06	30.20	22.86	5.00
24	38.14	35.28	27.94	5.00
26	40.68	37.82	30.48	5.00
30	45.76	42.90	35.56	5.00
34	50.84	47.98	40.64	5.00
40	58.46	55.60	48.26	5.00
50	71.16	68.30	60.96	5.00
60	83.86	81.00	73.66	5.00
64	88.94	86.08	78.74	5.00

D

E

F

G

**RoHS compliant**

Unit:mm

Scale	Free
TOLERANCE	
X.X	±0.40
X.XX	±0.25
X.XXX	±0.15

DIM	TOL
X°	±3°
Angle	TOL

Id.	Modification	Date	Name
①	Drawn	30.01.2021	Daniel

**ASSMANN**  
WSW components

Date

Name

Description:

DIN 41651

ASSMANN WSW-No.

AWHW-254-xxSTxx

Drawing-No.

ASS 8838 CO

rev00

Customer-No.

SHEET  
1 / 1

G

H

1

2

3

4

5

6

7

SV5026