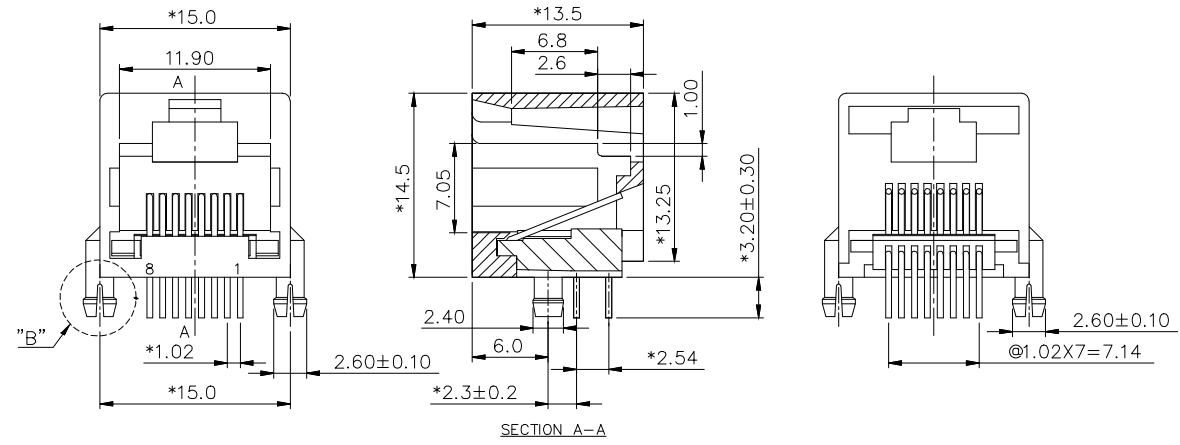
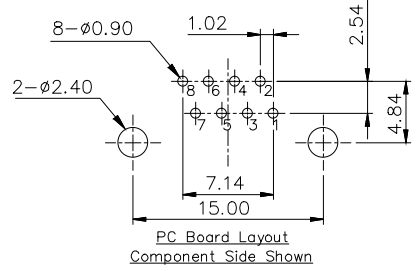
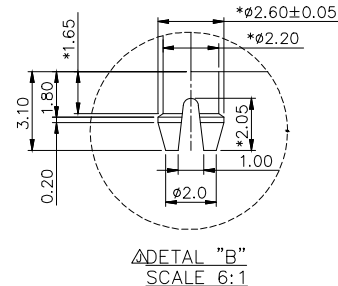


A  
B  
C  
D  
E  
F



- Notes:
- Electrical:
1. Voltage Rating: 125VAC
  2. Current Rating: 1.5AMP
  3. Contact Resistance: 30mΩ max.
  4. Insulation Resistance: 500MΩ min. @ 500VDC
  5. Dielectric Strength: 1000VAC 60Hz, 1 min.
- Mechanical:
1. Housing Material: Glass Filled Polyseter UL94V-0 Black
  2. Contact Material: Phosphor Bronze Ø0.46mm
  3. Contact Plating: Gold over Nickel
  4. Operating: 750 cycles min.
  5. PCB Retention Pre-solder: 1 LB min.
  6. PCB Retention Post-solder: 10 LB min.
- Environmental:
1. Storage: -40°C to +85°C
  2. Operation: -0°C to +70°C
- MATES WITH MODULAR PLUG CONFORMING TO TIA-1096-A
- Package: Tray



Order Code:  
**A-MJH-8-EA-xTP-W3**  
 G: Au-flash  
 P: Au 15u"  
 H: Au 30u"

G	<b>RoHS compliant</b> Unit: mm	Scale	Free					Date	Name	Description: Modular Connector	
		TOLERANCE						Drawn	05.03.2021	Luca	RJ45/Jack/8P8C
		.X	±0.20					Approved	05.03.2021	Luca	ASSMANN WSW-No.
		.XX	±0.15								<b>A-MJH-8-EA-xTP-W3</b>
		.XXX	±0.10								Drawing-No.
		DIM	TOL								<b>ASS 8855 CO</b>
H		Angle	±5°							Customer-No.	Sheet
				ⓐ	Drawn	05.03.2021	Luca				
			Id.	Modification	Date	Name					