

1

2

3

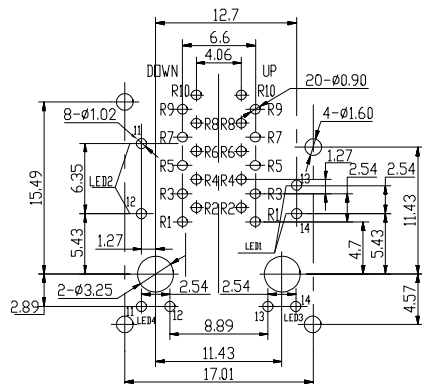
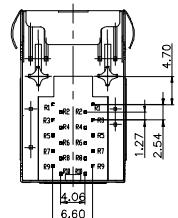
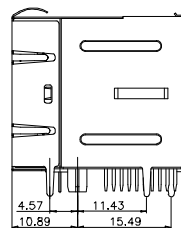
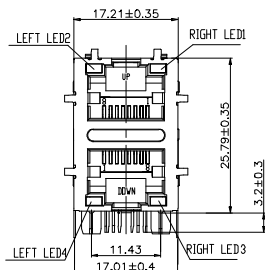
4

5

6

7

A



PCB Layout

NOTES:

MATERIAL

- 1.1 Housing Material : PA66,UL94V-0,BK
- 1.2 Contact Material : Phosphor bronze(C5210),
- 1.3 Contact Plating: 30u" Au plated on contact area
- 1.4 Input Terminal: Brass(C2680)
- 1.4 Shield: Brass(C2680) , Ni plated

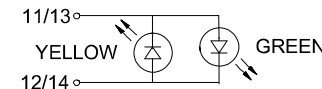
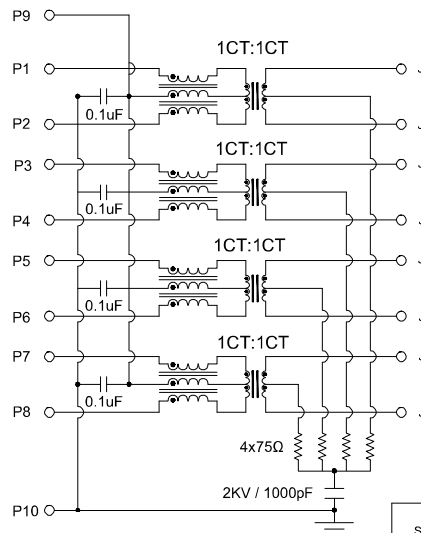
ENVIRONMENTAL

- 2.1 Operation Temperature: 0°C to +70°C
- 2.2 Storage Temperature: -40°C to +85°C

ELECTRICAL(25°C)

Insertion Loss dB Max	Return Loss dB Min				Common Mode Rejection dB TYP		Crosstalk dB TYP	Hi-Pot (VAC)
	1~30MHz	60~80MHz	80~100MHz	1~100MHz	150MHz	1~100MHz		
-1.0	-18.0	-12.0	-10.0	-30.0	-20.0	-30.0	1500	

Packing: Tray
Complies with IEEE802.3 stands and all Gigabit specification including 350uH with 8mA DC bias.



Standard LED Color	LED Wavelength	Forward (V Max)	Typical (V TYP)
GREEN	565nm	2.5	2.1-2.2
YELLOW	585nm	2.5	2.1-2.2

D

E

F

G

H

RoHS compliant

Unit:mm

Scale Free

TOLERANCE

X.X ±0.38

X.XX ±0.25

X.XXX ±0.13

DIM TOL

X.° ±1.5°

Angle TOL

Id.	Modification	Date	Name
©	Drawn	24.03.2021	Daniel

Date	Name	Description:
10.11.2020	Daniel	Modular jacks
24.03.2021	Daniel	ASSMANN WSW-No.
		A-MJT-A-DA-HTP-SGY1
		Drawing-No.
		ASS 8884 CO
		rev00
		Customer-No.
		SHEET 1 / 1



1

2

3

4

5

6

7