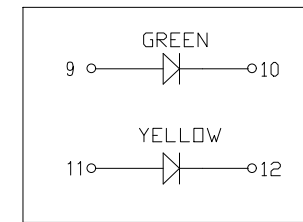
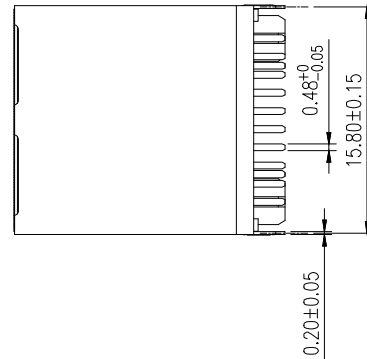


PC Board Layout



RoHS compliant
Unit: mm

Scale	Free					Date	Name	
TOLERANCE						Drawn	19.04.2021	Luca
X.X	±0.15					Approved	14.12.2022	Daniel
X.XX	±0.10							
X.XXX	±0.05	②	Correct PN	14.12.2022	Daniel			
DIM	TOL	①	Add PN	02.03.2022	Daniel			
		③	Drawn	19.04.2021	Luca			
Angle	±5°	ld.	Modification	Date	Name			

Description: Modular Jack	
RJ45/TOP ENTRY/LED	
ASSMANN WSW-No. A-MJH-8-EG-xTP-S5	
Drawing-No.	ASS 8899 CO
Customer-No.	rev02
Sheet	1 / 2

1

2

3

4

5

6

7

A

Notes:

Characteristics Description:

- 1. RJ45 1000 Transformer Jack With Transformer Impedance Resistor/High Voltage Capacitor.
- 2. Size Same As RJ-45 Modular Jack To Save PCB Space.
- 3. Reduce EMI Radiation, Improve EMI Performance.
- 4. Designed For Network Interface Card Application.
- 5. Designed To Meet IEEE 802.3u Requirement.

Electrical Specifications:

- 1. Inductance At 100 KHz, 100 mV 8mADC Bias: 350 uH Min.
- 2. Leakage Inductance 0.4 uH Max. @100KHz 100mV
- 3. Insertion Loss: 1.1 dB Max. @ 1-100 MHz
- 4. Return Loss:
 - 18dB Min. @ 1-30MHz
 - 16dB Min. @ 30-60MHz
 - 12dB Min. @ 60-80MHz
- 5. Cross Talk: 30dB Min. @ 1-100MHz
- 6. Common Mode Rejection: 30dB Min. @1-100MHz
- 7. Isolation Voltage @60Hz:1500Vrms(Input To Output) 60 Seconds

Mechanical:

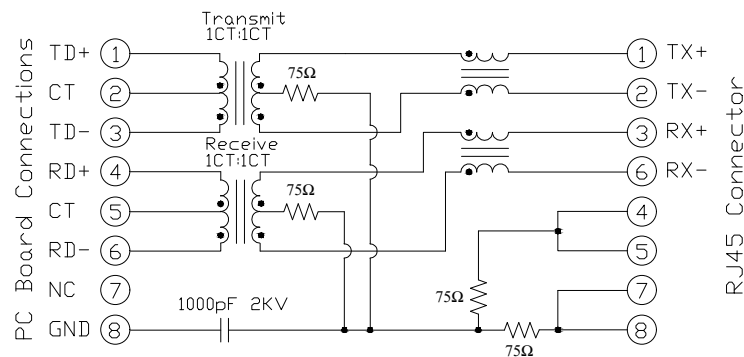
- 1. Housing Material: HIGH TEMP. UL94V-0
- 2. Insert Material: HIGH TEMP. UL94V-0
- 3. Contact Mateial: Phosphor Bronze t=0.30mm.
- 4. Plating: Contact Area-Gold Plating. 30u"
- 5. Shield Material:Brass C2680 .T=0.2mm
- 6. Operating Life: 750 Cycles Min.

Environmental:

- 1.Storage:-40°C To+85°C.
- 2.Operation:-40°C To+85°C.
- 3. Soldering Temperature:255~265°C (5~10 Seconds)

Mates With Modular Pluc Conforminc To TIA-1096-A

Schematic: 10/100



TYPE 1

Order code:

A-MJH-8-EG-xTP-S5

Contact plating:
 H: Au30u"/Sn
 P: Au15u"/Sn
 G: Glod flash/Sn

A

B

C

D

E

F

G

H

A

B

C

D

E

F

G

H

RoHS compliant
Unit: mm

Scale	Free						Date	Name	Description: Modular Jack	
TOLERANCE						Drawn	19.04.2021	Luca	RJ45/TOP ENTRY/LED	
X.X	±0.15					Approved	14.12.2022	Daniel	ASSMANN WSW-No.	
X.XX	±0.10								A-MJH-8-EG-xTP-S5	
X.XXX	±0.05	②	Correct PN	14.12.2022	Daniel				Drawing-No.	
DIM	TOL	①	Add PN	02.03.2022	Daniel			ASS 8899 CO		rev02
		⑩	Drawn	19.04.2021	Luca			Customer-No.		Sheet 2 / 2
Angle	±5°	ld.	Modification	Date	Name					

1

2

3

4

5

6

7