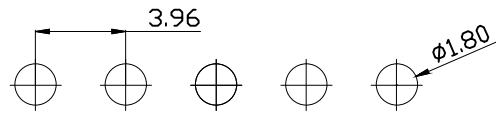
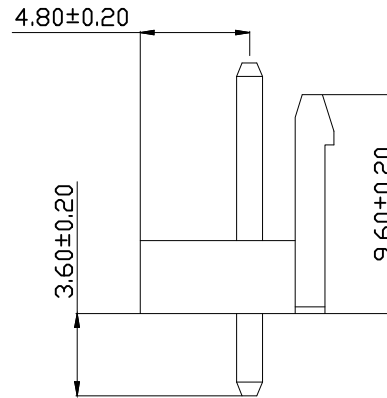
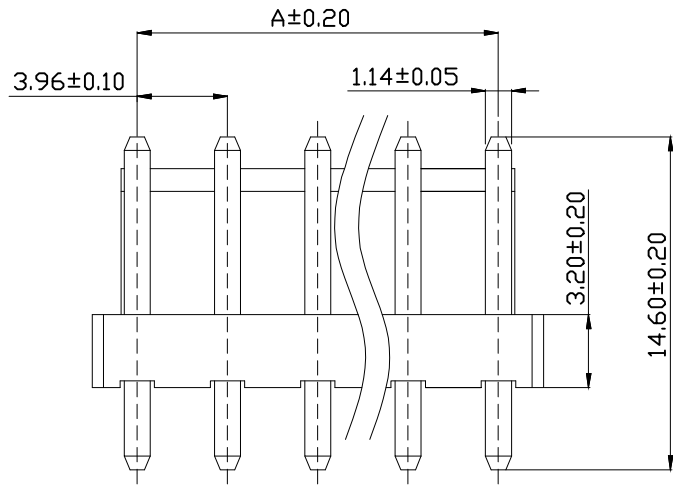
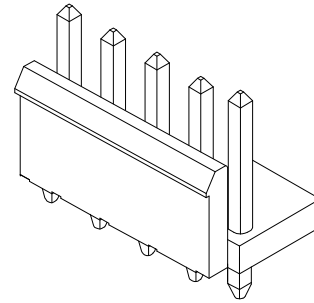
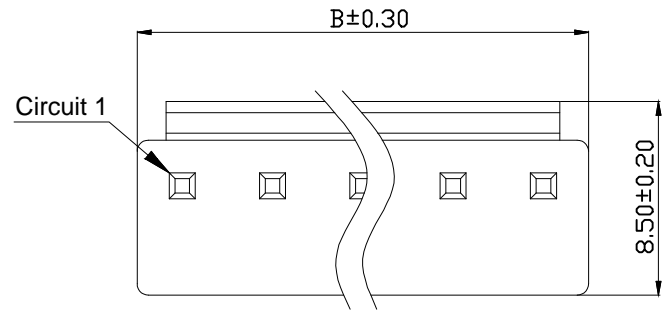


Notes:
 Voltage rating: 250V AC/DC
 Current rating: 7A AC/DC
 Withstanding voltage: 1500V AC/minute
 Insulation resistance: 1000MΩ min.
 Contact resistance: 20mΩ max.

Contact material: Brass
 Contact plating: 100u" Tin over 50u" Ni
 Insulator material: Nylon 66 UL 94 V-0
 Operating Temperature: -25°C~+85°C
 Packing : PE Bag

Poles	Dimensions(mm)	
	A	B
2	3.96	7.92
3	7.92	11.88
4	11.88	15.84
5	15.84	19.80
6	19.80	23.76
7	23.76	27.72
8	27.72	31.68
9	31.68	35.64
10	35.64	39.60
11	39.60	43.56
12	43.56	47.52
13	47.52	51.48
14	51.48	55.44
15	55.44	59.40
16	59.40	63.36



P.C.B LAYOUT

RoHS compliant
Unit: mm



③ File No.: E198287

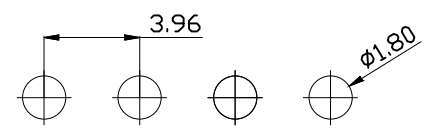
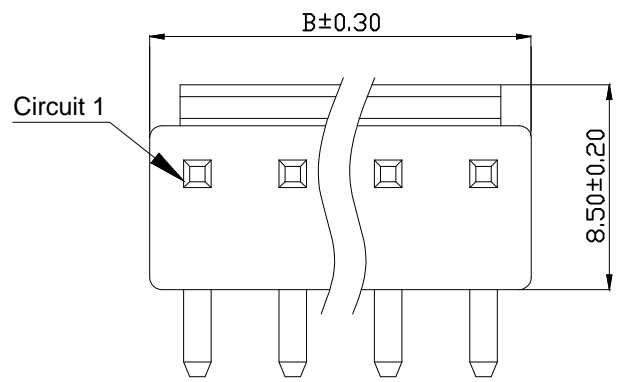
Scale	Free						Date	Name
TOLERANCE						Drawn	20.04.2021	Winnie
.X	±0.35							
.XX	±0.25	③	Add UL E-No. on page 2	16.03.2023	Peter	Approved	16.03.2023	Peter
.XXX	±0.15	②	Updated the dimension and P/N	20.07.2022	Peter			
DIM	TOL	①	Add the page 2 and wire range	09.03.2022	Peter			
Angle	±5°	④	Drawn	20.04.2021	Winnie			
		Id.	Modification	Date	Name			

Description: Wire to Board Connector
Pitch 3.96 Wafer

ASSMANN WSW-No.
② A-WBP-P001EG-xxTB01

Drawing-No.
ASS 8921 CO rev03

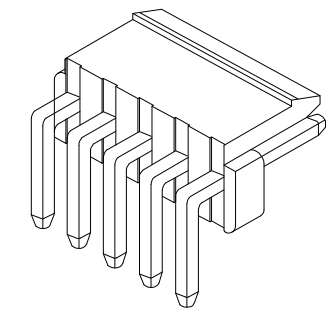
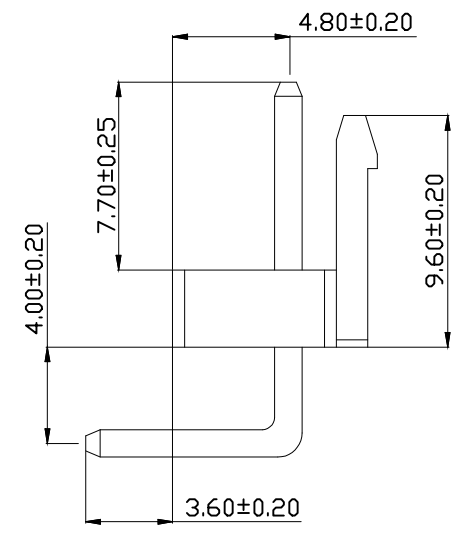
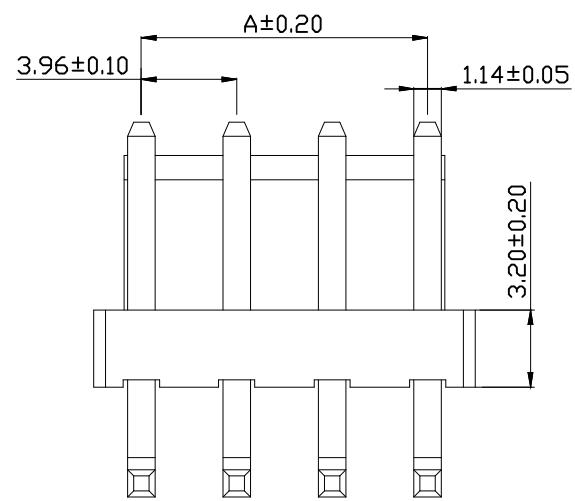
Customer-No. Sheet 1 / 4



P.C.B LAYOUT

Notes:
 Voltage rating: 250V AC/DC
 Current rating: 7A AC/DC
 Withstanding voltage: 1500V AC/minute
 Insulation resistance: 1000MΩ min.
 Contact resistance: 20mΩ max.

Contact material: Brass
 Contact plating: 100u" Tin over 50u" Ni
 Insulator material: Nylon 66 UL 94 V-0
 Operating Temperature: -25°C~+85°C
 Packing : PE Bag



Poles	Dimensions(mm)	
	A	B
2	3.96	7.92
3	7.92	11.88
4	11.88	15.84
5	15.84	19.80
6	19.80	23.76
7	23.76	27.72
8	27.72	31.68
9	31.68	35.64
10	35.64	39.60
11	39.60	43.56
12	43.56	47.52
13	47.52	51.48
14	51.48	55.44
15	55.44	59.40
16	59.40	63.36

RoHS compliant
 Unit: mm

③ File No.: E198287

Scale	Free					Date	Name	
TOLERANCE						Drawn	20.04.2021	Winnie
.X	±0.35	③	Add UL E-No. on page 2	16.03.2023	Peter	Approved	16.03.2023	Peter
.XX	±0.25	②	Updated the dimension	20.07.2022	Peter			
.XXX	±0.15	①	Add the page 2 and wire range	09.03.2022	Peter			
DIM	TOL	①	Add the page 2 and wire range	09.03.2022	Peter			
Angle	±5°	①	Drawn	20.04.2021	Winnie			
		①	Drawn	20.04.2021	Winnie			
		Id.	Modification	Date	Name			

Description: Wire to Board Connector	
Pitch 3.96 Wafer 90°	
ASSMANN WSW-No. A-WBP-P001EA-xxTB01	
Drawing-No.	ASS 8921 CO
Customer-No.	rev03
Sheet	2 / 4

1

2

3

4

5

6

7

A

B

C

D

E

F

A

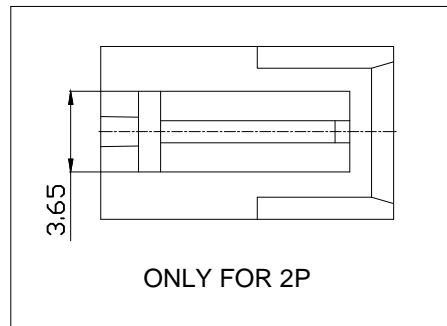
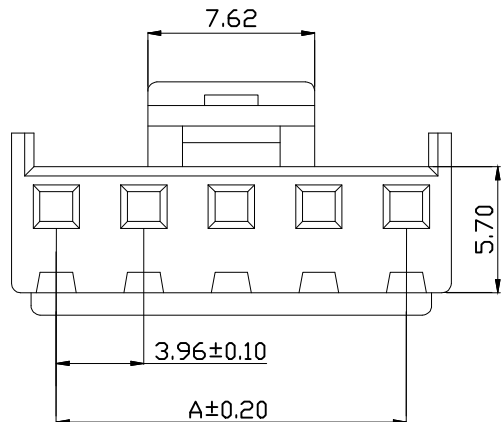
B

C

D

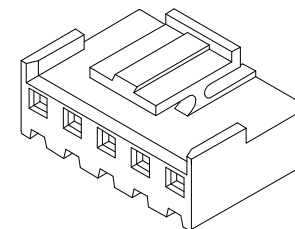
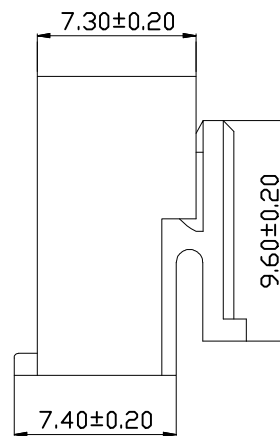
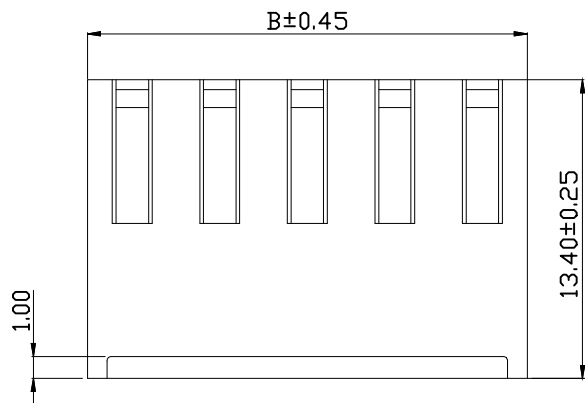
E

F



Notes:
 Voltage rating: 250V AC/DC
 Current rating: 7A AC/DC
 Withstanding voltage: 1500V AC/minute
 Insulation resistance: 1000MΩ min.
 Contact resistance: 20mΩ max.

Insulator material: Nylon 66 UL 94 V-0
 Operating Temperature: -25°C~+85°C
 Packing : PE Bag



Poles	Dimensions(mm)	
	A	B
2	3.96	7.92
3	7.92	11.88
4	11.88	15.84
5	15.84	19.80
6	19.80	23.76
7	23.76	27.72
8	27.72	31.68
9	31.68	35.64
10	35.64	39.60
11	39.60	43.56
12	43.56	47.52
13	47.52	51.48
14	51.48	55.44
15	55.44	59.40
16	59.40	63.36

RoHS compliant
 Unit: mm

Scale	Free					Date	Name	
TOLERANCE						Drawn	20.04.2021	Winnie
.X	±0.35	③	Add UL E-No. on page 2	16.03.2023	Peter	Approved	16.03.2023	Peter
.XX	±0.25	②	Updated the dimension	20.07.2022	Peter			
.XXX	±0.15	①	Add the page 2 and wire range	09.03.2022	Peter			
DIM	TOL	①	Add the page 2 and wire range	09.03.2022	Peter			
Angle	±5°	①	Add the page 2 and wire range	09.03.2022	Peter			
		①	Drawn	20.04.2021	Winnie			
		Id.	Modification	Date	Name			

Description: Wire to Board Connector
 Pitch 3.96 Housing

ASSMANN WSW-No.
 ② A-WBH-P001EG-xxCB01

Drawing-No.
ASS 8921 CO rev03

Customer-No. Sheet
 3 / 4

1

2

3

4

5

6

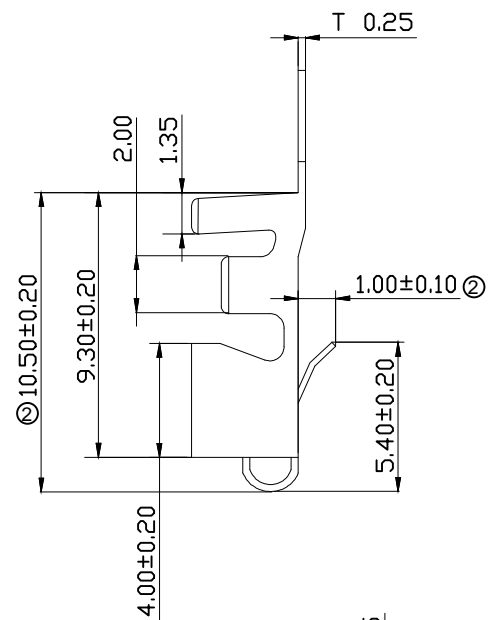
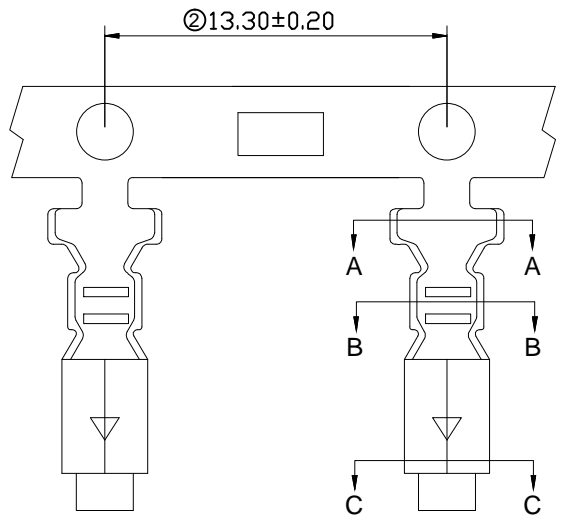
7

H

1 2 3 4 5 6 7

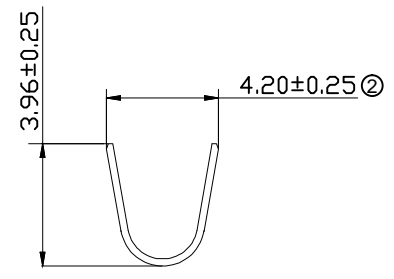
A
B
C
D
E
F
G
H

A
B
C
D
E
F
G
H

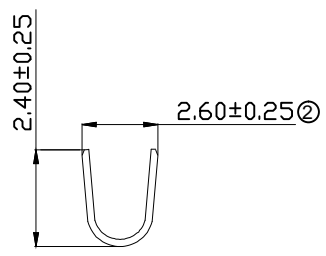


Notes:
 Voltage rating: 250V AC/DC
 Current rating: 7A AC/DC
 Withstanding voltage: 1500V AC/minute
 Insulation resistance: 1000MΩ min.
 Contact resistance: 20mΩ max.

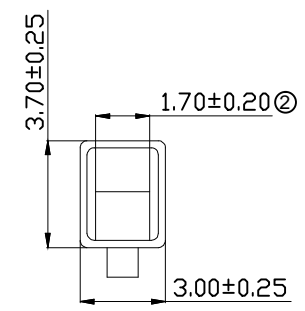
Contact material: Phosphor Bronze
 Contact plating : 100u" Tin over 50u" Ni
 Operating Temperature: -25°C~+85°C
 ① Applicable Wire: AWG#16-#22
 Packing : Reel



SEC:A-A



SEC:B-B



SEC:C-C

RoHS compliant
 Unit: mm

Scale	Free						Date	Name	Description:
TOLERANCE						Drawn	20.04.2021	Winnie	Wire to Board Connector
.X	±0.35								Pitch 3.96 Terminal
.XX	±0.25	③	Add UL E-No. on page 2	16.03.2023	Peter	Approved	16.03.2023	Peter	ASSMANN WSW-No.
.XXX	±0.15	②	Updated the dimension	20.07.2022	Peter				② A-WBT-P001EG-01CR01
DIM	TOL	①	Add the page 2 and wire range	09.03.2022	Peter				
Angle	±5°	①	Drawn	20.04.2021	Winnie				
		Id.	Modification	Date	Name				

Drawing-No.		ASS 8921 CO	rev03
Customer-No.			

1 2 3 4 5 6 7