

1

2

3

4

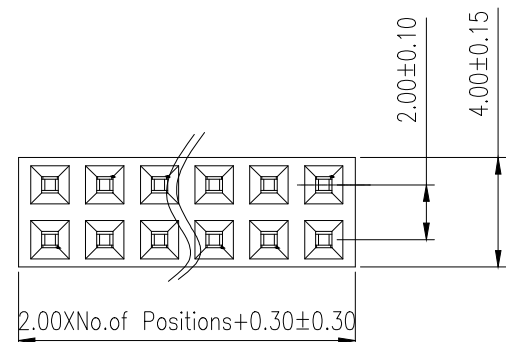
5

6

7

A

A



Notes:  
 Insulator Material: LCP +30%GF UL94V-0;  
 Contact Material: Phosphor Bronze ;  
 Contact Plating: Gold Flash over Nickel

Current Rating: 2.0A;  
 Withstanding Voltage: 500V AC/Minute;  
 Operation Temperature: -40°C to +105°C;  
 Insulation Resistance: 1000MΩ Min;  
 Contact Resistance: 20mΩ Max;  
 Processing Temperature: 255°C for 5 seconds Max;  
 Packing: Tape&Reel

B

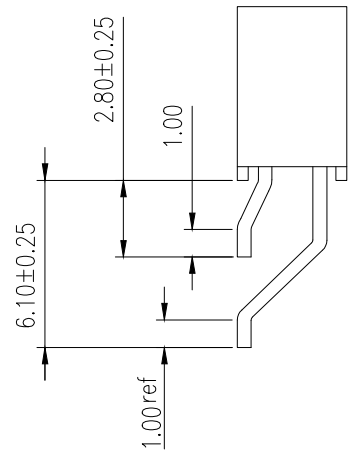
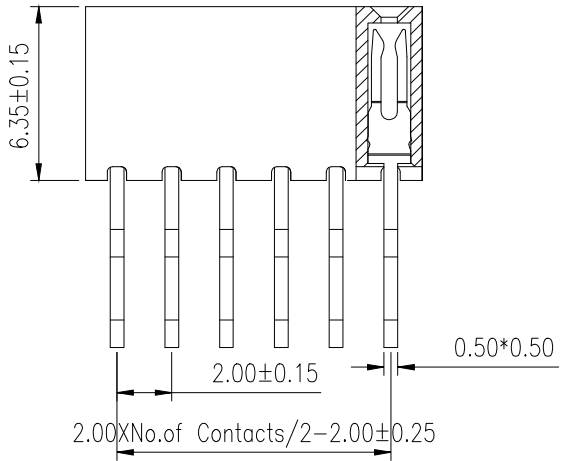
B

C

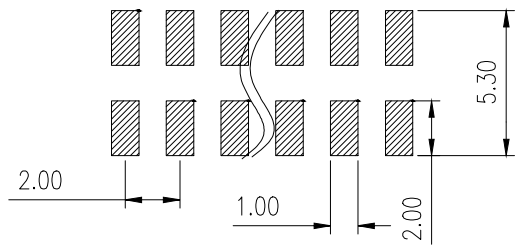
C

D

D



Recommended P.C.B Layout(Top Side)  
 (PCB BOARD TOLERANCE±0.05)



E

E

F

F

G

G

**RoHS compliant**  
 Unit:mm

Scale	Free						Date	Name	Description: Female Header		
TOLERANCE							Drawn	21.04.2021	Winnie	SMT Pitch 2.00mm 2 Row	
.X	±0.40						Approved	21.04.2021	Winnie	ASSMANN WSW-No.	
.XX	±0.25									A-BL-200DAxx-063GSR1	
.XXX	±0.15										
DIM	TOL								Drawing-No.	ASS 8924 CO	rev00
X°	±5°	Ⓢ	Drawn	21.04.2021	Winnie	Customer-No.			SHEET		
Angle	TOL	Id.	Modification	Date	Name	1 / 2					

H

H

1

2

3

4

5

6

7

1

2

3

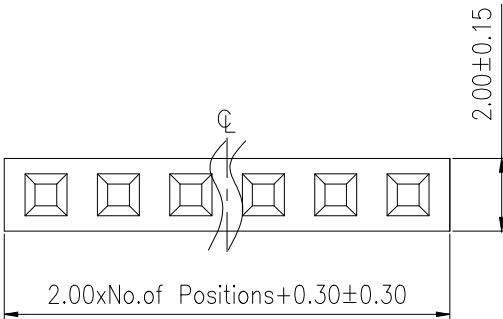
4

5

6

7

A



A

B

Notes:  
 Insulator Material: LCP +30%GF UL94V-0;  
 Contact Material: Phosphor Bronze ;  
 Contact Plating: Gold Flash over Nickel

Current Rating: 2.0A;  
 Withstanding Voltage: 500V AC/Minute;  
 Operation Temperature: -40°C to +105°C;  
 Insulation Resistance: 1000MΩ Min;  
 Contact Resistance: 20mΩ Max;  
 Processing Temperature: 255°C for 5 seconds Max;  
 Packing: Tape&Reel

B

C

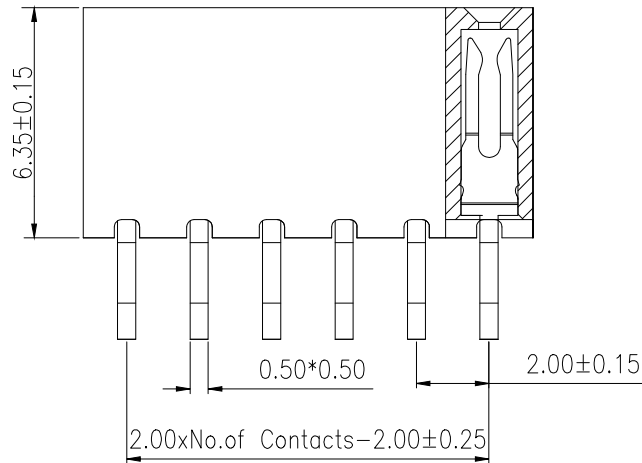
C

D

Recommended P.C.B Layout(Top Side)  
 (PCB BOARD TOLERANCE±0.05)

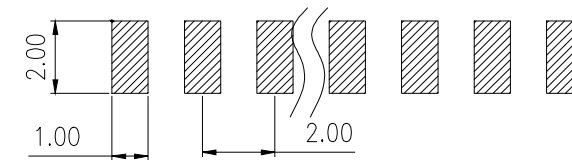
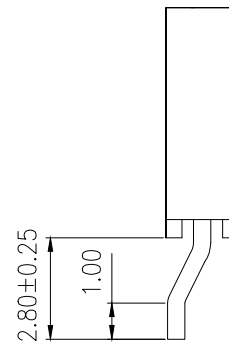
D

E



E

F



F

G

RoHS compliant

Unit:mm

Scale	Free
TOLERANCE	
.X	±0.40
.XX	±0.25
.XXX	±0.15
DIM	TOL
X°	±5°
Angle	TOL

Drawn	21.04.2021	Winnie
Approved	21.04.2021	Winnie
Id.	Modification	Date
		Name



Description: Female Header	
SMT Pitch 2.00mm 1 Row	
ASSMANN WSW-No. A-BL-200EAXx-063GSR1	
Drawing-No. ASS 8924 CO	rev00
Customer-No.	SHEET 2 / 2

G

H

1

2

3

4

5

6

7