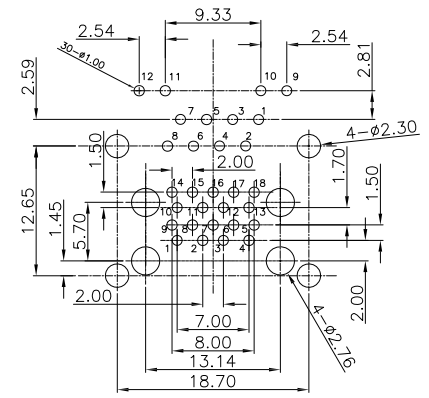
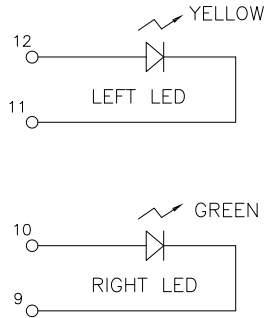
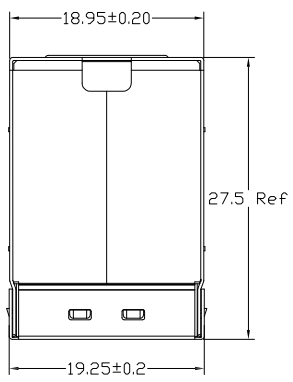


A



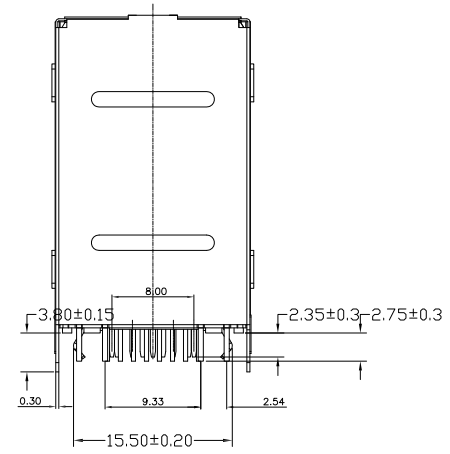
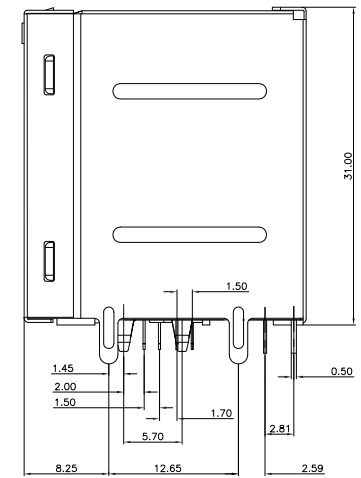
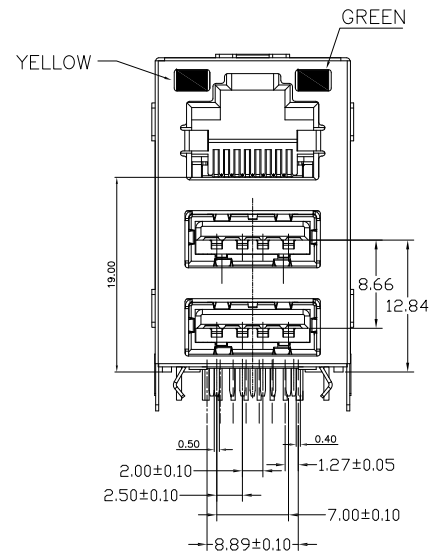
NOTES:

- MATERIAL:**
Housing: PBT Black
Contact: Copper Alloy
Shell: SPCC
- Electrical performance:**
Voltage Current Rating: 1.5 AMP, 30V AC
Insulation Resistance: 1000MΩ Min
Contact Resistance: 30mΩ Max
Dielectric Withstanding Voltage: 500V AC
- Temperature Range:** -55 °C to +85 °C
- FINISH:**
Contact: Tin plating 100u" on solder tail area,
RJ45/USB Gold plating (see order code) on contact area,
30u" min Ni underplating over all
- PACKING:** Tray

Order Code:

A-MJU-8-RA-xTP-SGY2
 K = Gold flash selective tin
 P = 15u" Au/Sn
 H = 30u" Au/Sn

D



E

F

G

RoHS compliant

Unit:mm

Scale	Free
TOLERANCE	
X.X	±0.38
X.XX	±0.25
X.XXX	±0.10
DIM	TOL
X.°	±5°
Angle	TOL

						Date	Name	Description: RJ45 Modular + USB 3.0 Type A Female / THT / R/A	
						Drawn	02.06.2021		Luca
						Approved	02.06.2021		Luca
								ASSMANN WSW-No.	
								A-MJU-8-RA-xTP-SGY2	
								Drawing-No.	
								ASS 8952 CO	
								rev00	
								Customer-No.	
								SHEET 1 / 1	



H