

- Notes:
- \* (QC) Important Dimension To Check
  - \* Waterproof Rate: IP67
  - \* LED Holder: Brass, Nickel Plating
  - \* LED:  $\varnothing 5$  mm, White
  - \* O-ring: EPDM, Black
  - \* Screw Nut: Brass, Nickel Plating
  - \* Operating Voltage: DC 4V
  - \* Operating Temperature:  $-40 \sim +80^{\circ}\text{C}$
  - \* For Panel Thickness 6.5 max.
  - \* Forward Voltage: White Typ. 3.5V/Max. 4.0(V)
  - \* Forward Current: White Max. 30mA
  - \* Reverse Voltage: DC 5V
  - \* Luminous Intensity: White Min. 4150/Typ. 8000(Mcd)

**RoHS compliant**  
Unit:mm

Scale	Free						Date	Name	Description: Waterproof Connector LED IND / M8 / $\varnothing 5$ / Metal
TOLERANCE						Drawn	04.03.2014	Wilson	
X.X	$\pm 0.25$					Approved	07.06.2021	Luca	ASSMANN WSW-No.
X.XX	$\pm 0.10$								<b>A-LED8-1WBAS-MR7-1</b>
X.XXX	$\pm 0.05$								Drawing-No.
DIM	TOL	①	Update	07.06.2021	Luca	<b>ASSMANN</b> WSW components		ASS 8957 CO	rev01
X.°	$\pm 1^{\circ}$	②	Drawn	04.03.2014	Wilson			Customer-No.	SHEET 1 / 2
Angle	TOL	Id.	Modification	Date	Name				



Description: Waterproof Connector LED IND / M8 / $\varnothing 5$ / Metal	
ASSMANN WSW-No.	
<b>A-LED8-1WBAS-MR7-1</b>	
Drawing-No.	ASS 8957 CO
Customer-No.	rev01
SHEET 1 / 2	

1

2

3

4

5

6

7

A

A

B

B

C

C

D

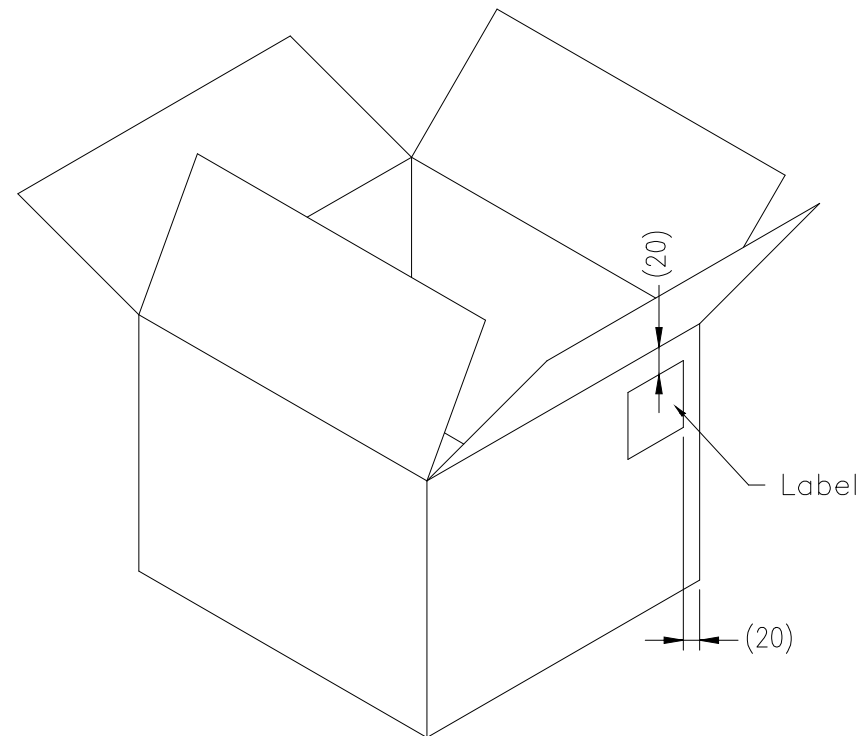
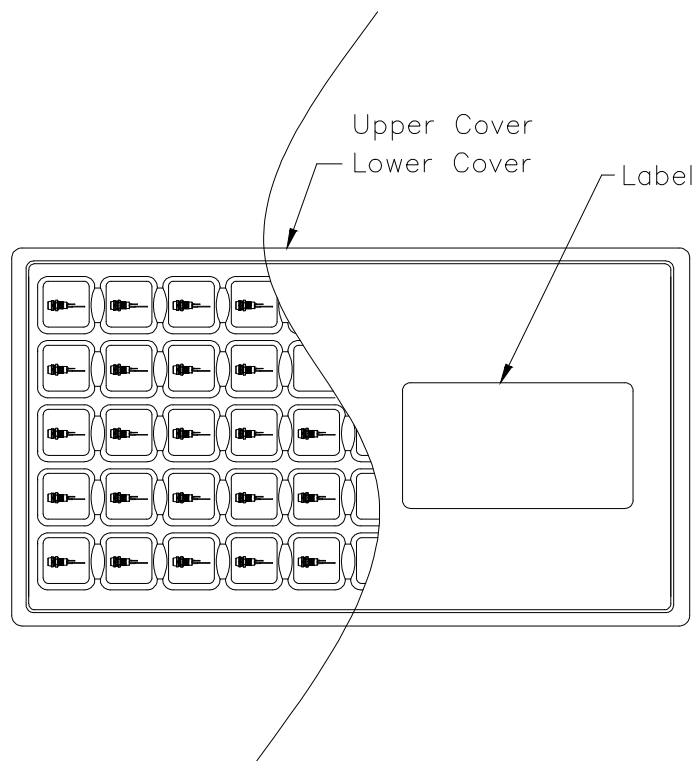
D

E

E

F

F



G

G

H

H

**RoHS compliant**

Unit:mm

Scale	Free
TOLERANCE	
X.X	±0.25
X.XX	±0.10
X.XXX	±0.05
DIM	TOL
X.°	±1°
Angle	TOL

①	Update	07.06.2021	Luca
②	Drawn	04.03.2014	Wilson
Id.	Modification	Date	Name

Drawn	04.03.2014	Wilson
Approved	07.06.2021	Luca
<b>ASSMANN</b> WSW components		

Description: Waterproof Connector LED IND / M8 / Ø5 / Metal	
ASSMANN WSW-No. <b>A-LED8-1WBAS-MR7-1</b>	
Drawing-No. <b>ASS 8957 CO</b>	rev01
Customer-No.	SHEET 2 / 2

1

2

3

4

5

6

7