

NOTES:

ELECTRICAL:

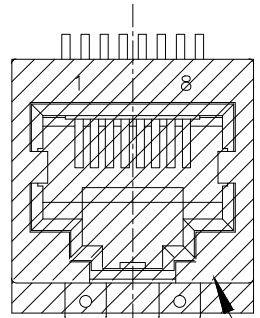
- 1. VOLTAGE RATING : 125 VAC.
- 2. CURRENT RATING : 1.5 AMP.
- 3. CONTACT RESISTANCE : 30 MILLIOHMS MAX.
- 4. INSULATION RESISTANCE: 1000 MEGOHMS MIN. @ 500 VDC.
- 5. DIELECTRIC STRENGTH : 1000 VAC 60Hz, 1MIN.

MECHANICAL:

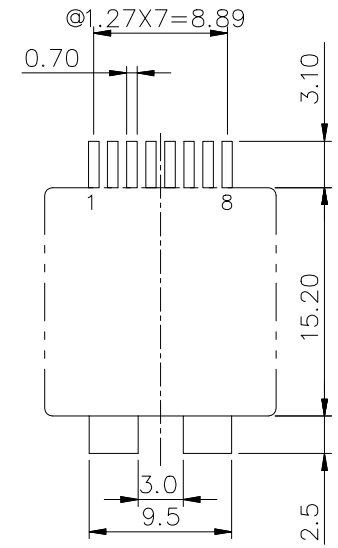
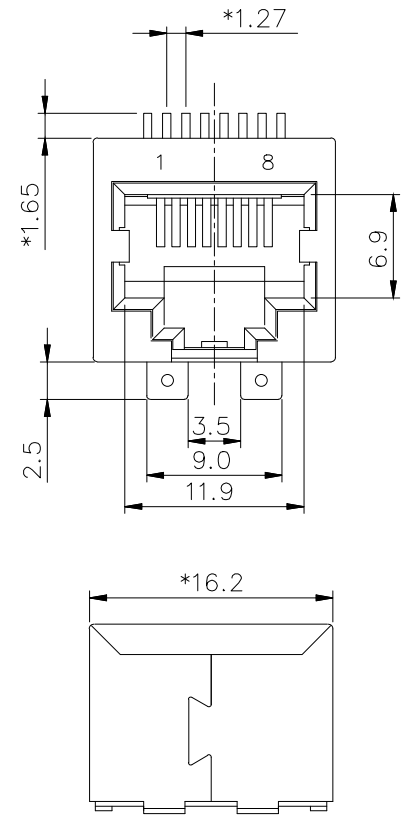
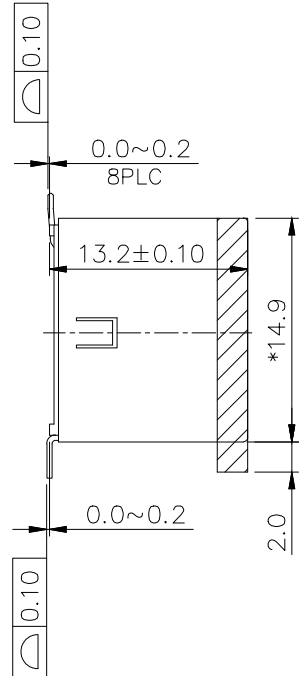
- 1. HOUSING MATERIAL : HIGH TEMP. UL94V-0 PA9T BK.
- 2. INSERT : HIGH TEMP. UL94V-0 PA9T BK.
- 3. CONTACT MATERIAL : PHOSPHOR BRONZE C5210EH t=0.35mm.
- 4. MYLAR SIZE : 21*17*0.06mm
- 5. PLATING : GOLD PLATING OVER NICKEL.
- 6. OPERATING LIFE : 750 CYCLES MIN.
- 7. PCB RETENTION POST-SOLDER: 10 LBS MIN.

ENVIRONMENTAL:

- 1. STORAGE : -40°C TO +85°C.
 - 2. OPERATION: -40°C TO +85°C.
 - 3. IR REFLOW SOLDERING TEMPERATURE: 255°C TO 265°C (5~10 SECONDS).
- MATES WITH MODULAR PLUG CONFORMING TO TIA-1096-A.



W/MYLAR



PCB LAYOUT COMPONENT SIDE SHOWN

RoHS compliant

Unit:mm

Scale	Free						Date	Name	Description: Modular Connector RJ45 / SMT / TOP ENTRY / SHIELDED
TOLERANCE						Drawn	21.06.2021	Luca	
X.X	±0.20					Approved	21.06.2021	Luca	ASSMANN WSW-No. A-MJH-8-EG-GSP-S3
X.XX	±0.15								
X.XXX	±0.10								Drawing-No. ASS 8972 CO rev00
DIM	TOL								
X.°	±5°	ⓐ	Drawn	21.06.2021	Luca	ASSMANN WSW components		Customer-No.	SHEET 1 / 1
Angle	TOL	Id.	Modification	Date	Name				