

1

2

3

4

5

6

7

A

A

B

B

C

C

D

D

E

E

F

F

NOTES:

ELECTRICAL:

- 1. VOLTAGE RATING : 125 VAC RMS.
- 2. CURRENT RATING : 1.5 AMP.
- 3. CONTACT RESISTANCE : 35 MILLIOHMS MAX.
- 4. INSULATION RESISTANCE : 1000 MEGOHMS MIN. @ 500 VDC.
- 5. DIELECTRIC STRENGTH : 1000 VAC RMS 60Hz, 1MIN.

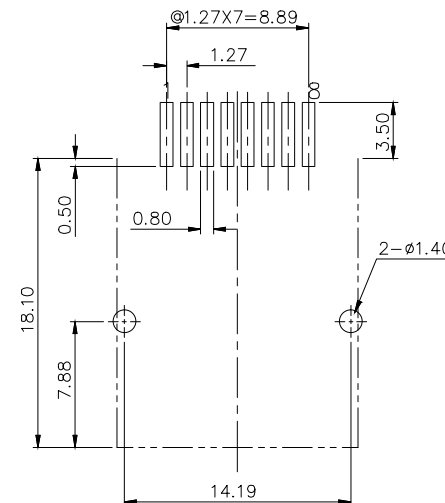
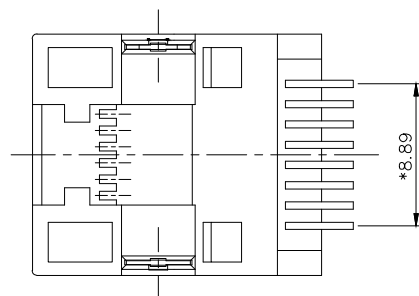
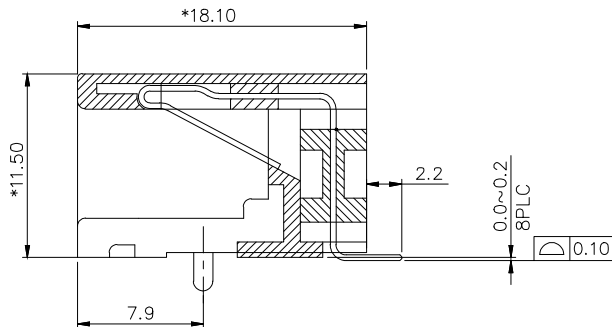
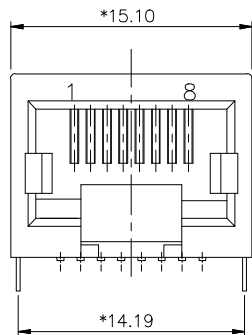
MECHANICAL:

- 1. HOUSING MATERIAL : HIGH TEMP. UL94V-0 BK.
- 2. INSERT : HIGH TEMP. UL94V-0 BK.
- 3. CONTACT MATERIAL : PHOSPHOR BRONZE t=0.35mm.
- 4. PLATING : GOLD PLATING OVER NICKEL.
- 5. OPERATING LIFE : 750 CYCLES MIN.
- 6. PCB RETENTION POST-SOLDER : 10 LBS MIN.

ENVIRONMENTAL:

- 1. STORAGE : -40°C TO +85°C.
- 2. OPERATION : -0°C TO +85°C.

MATES WITH MODULAR PLUG CONFORMING TO FCC PART 68, SUBPART F.



PC BOARD LAYOUT COMPONENT SIDE SHOWN

G

G

H

H

RoHS compliant

Unit:mm

Scale Free

TOLERANCE

X.X ±0.20

X.XX ±0.15

X.XXX ±0.10

DIM TOL

X.° ±5°

Angle TOL

①

Drawn

21.06.2021

Luca

Id.

Modification

Date

Name

Date

Name

Description: Modular Connector
RJ45 / SIDE ENTRY / SMT JACK / PEG DIP

ASSMANN WSW-No.
A-MJH-8-EA-GSP-W1

Drawing-No.
ASS 8974 CO rev00

Customer-No. SHEET
1 / 1



1

2

3

4

5

6

7