

NOTES:

ELECTRICAL:

- 1. VOLTAGE RATING : 125VAC.
- 2. CURRENT RATING : 1.5 AMP.
- 3. CONTACT RESISTANCE : 35 MILLIOHMS MAX.
- 4. INSULATION RESISTANCE: 1000 MEGOHMS @ 500 VDC. MIN.
- 5. DIELECTRIC STRENGTH : 1000 VAC 60Hz, 1MIN.

MECHANICAL:

- 1. HOUSING MATERIAL : GLASS FILLED POLYESTER OR HIGH TEMP. UL94V-0.
- 2. CONTACT MATERIAL : PHOSPHOR BRONZE T=0.35mm.
- 3. SHIELD MATERIAL : COPPER ALLOY T=0.20mm.
- 4. PLATING : SELECTIVE GOLD PLATING OVER NICKEL.
- 5. OPERATING LIFE : 750 CYCLES MIN.
- 6. PCB RETENTION PRE-SOLDER : 1 LB MIN.
- 7. PCB RETENTION POST-SOLDER : 10 LBS MIN.

ENVIRONMENTAL:

- 1. STORAGE : -40°C TO +85°C
- 2. OPERATION : -40°C TO +85°C

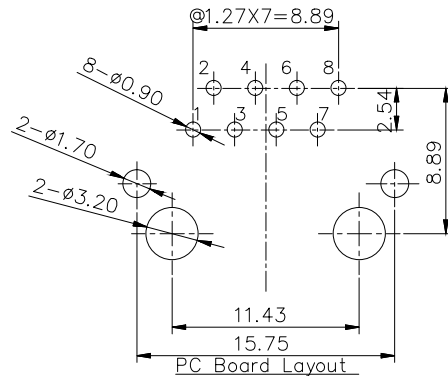
MATES WITH MODULAR PLUG CONFORMING TO TIA-1096-A.

Order Code:

A-MJH-8-EA-GxP-Sx

- 2= Black insulator
- 3= Blue insulator
- 4= Yellow insulator

R= THR Style
T= THT Style



Scale	Free
TOLERANCE	
X.X	±0.20
X.XX	±0.15
X.XXX	±0.10
DIM	TOL
X.°	±5°
Angle	TOL

Drawn	21.06.2021	Luca
Approved	21.06.2021	Luca
Id.	Modification	Date
		Name

Date: 21.06.2021
Name: Luca

ASSMANN
WSW components

Description: Modular Connector	
RJ45 / STP / TOP ENTRY / CAT6	
ASSMANN WSW-No.	
A-MJH-8-EA-GxP-Sx	
Drawing-No.	ASS 8977 CO
Customer-No.	rev00
SHEET 1 / 1	

RoHS compliant

Unit:mm

