

1

2

3

4

5

6

7

NOTES:

MATERIAL

- 1.1 Housing Material: Glass filled PA9T,UL94V-0,BK
 1.2 Contact Material: Phosphor bronze,t=0.30mm
 1.3 Contact Plating: See order code
 1.4 Shield Material: C2680H, plating Ni

ELECTRICAL

- 2.1 Voltage rating: 125VAC RMS
 2.2 Current rating: 1.5AMP
 2.3 Contact resistance: 30 milliohms max.
 2.4 Insulation resistance: 1000 Mohms min. at 500VDC
 2.5 Dielectric strength: 750VAC 60Hz, 1minute
 2.6 LED rating:
 Forward voltage: 2.2V typical,
 Reverse voltage: 5.0V max.

ENVIRONMENTAL

- 3.1 Operation Temperature: -40°C to +85°C
 3.2 Storage Temperature: -40°C to +85°C
 3.3 Operating Life: 750 cycles Min.
 3.4 PCB retention pre-solder: 1 LB min.
 3.5 PCB retention post-solder: 10 LB min.
 3.6 Wave soldering temperature: 260±5°C(5~10s)

Packing: T&R

Mates with modular plug conforming to TIA-1096-A

Order code:

A-MJL-8-EA-xSR-Sxx1

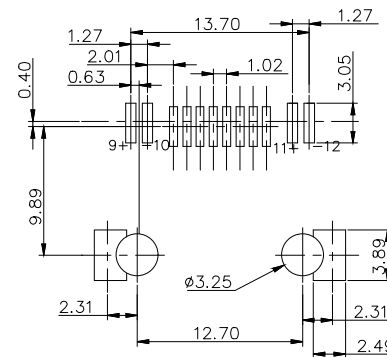
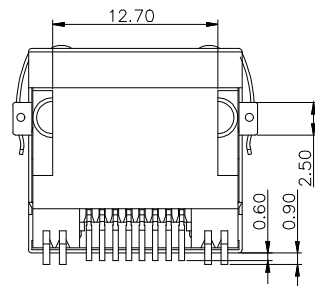
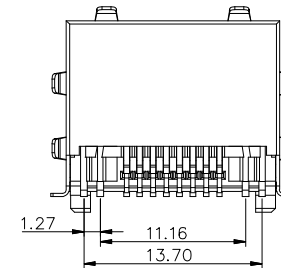
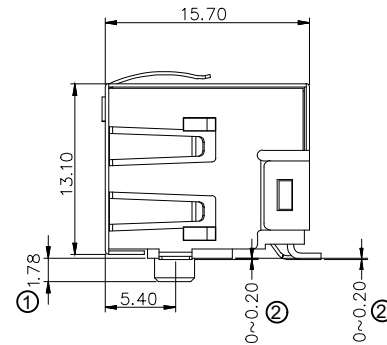
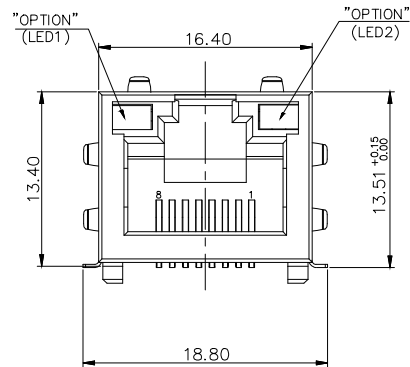
K: Gold flash /Sn

P: Au 15u" /Sn

H: Au 30u" /Sn

YG: LED1 Yellow, LED2 Green

GY: LED1 Green, LED2 Yellow

PCB Layout
Component side shown

LED DISPLAY

PART NO.	LED1	LED2
A-MJL-8-EA-xSR-SYG1	YELLOW 9 → 10	GREEN 11 → 12
A-MJL-8-EA-xSR-SGY1	GREEN 9 → 10	YELLOW 11 → 12

RoHS compliant

Unit:mm

Scale Free

TOLERANCE

X.X ±0.20

X.XX ±0.15

X.XXX ±0.10

DIM TOL

X.° ±5°

Angle TOL

Free

② Update the dimension of the terminal height

① Add the dimension of the pillar

① Drawn

Id.

Modification

Date

Name

Date

Name

Description: Modular jack

Drawn

02.08.2021

Daniel

Approved

01.09.2023

Segal

ASSMANN WSW-No.

A-MJL-8-EA-xSR-SYG1

A-MJL-8-EA-xSR-SGY1

Drawing-No.

ASS 9006 CO

rev02

Customer-No.

SHEET
1 / 1

ASSMANN
 WSW components
 A company of BCS

1

2

3

4

5

6

7

A

B

C

D

E

F

G

H