

1

2

3

4

5

6

7

NOTES:

MATERIAL

- 1.1 Housing Material: Glass filled PA9T,UL94V-0,BK
 1.2 Contact Material: Phosphor bronze,t=0.30mm
 1.3 Contact Plating: See order code
 1.4 Shield Material: C2680H, plating Ni

ELECTRICAL

- 2.1 Voltage rating: 125VAC RMS
 2.2 Current rating: 1.5AMP
 2.3 Contact resistance: 30 milliohms max.
 2.4 Insulation resistance: 1000 Mohms min. at 500VDC
 2.5 Dielectric strength: 750VAC 60Hz, 1minute
 2.6 LED rating:
 Forward voltage: 2.2V typical,
 Reverse voltage: 5.0V max.

ENVIRONMENTAL

- 3.1 Operation Temperature: -40°C to +85°C
 3.2 Storage Temperature: -40°C to +85°C
 3.3 Operating Life: 750 cycles Min.
 3.4 PCB retention pre-solder: 1 LB min.
 3.5 PCB retention post-solder: 10 LB min.
 3.6 Wave soldering temperature: 260±5°C(5~10s)

Packing: T&R

Mates with modular plug conforming to TIA-1096-A

Order code:

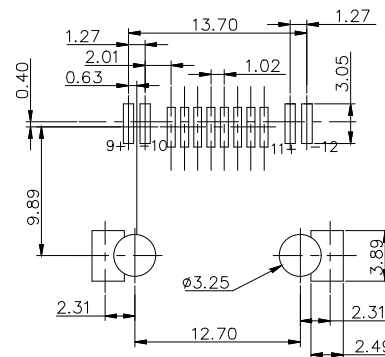
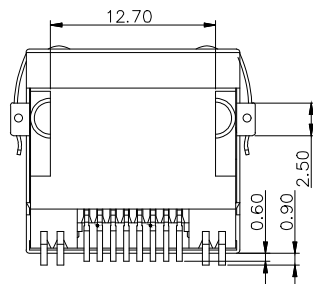
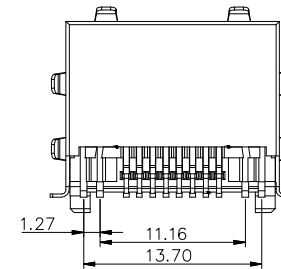
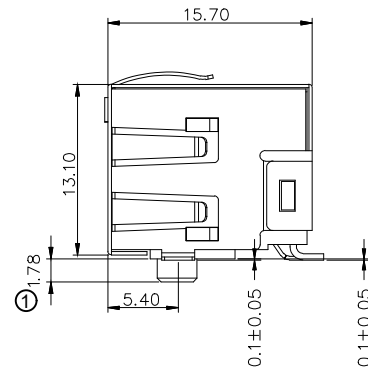
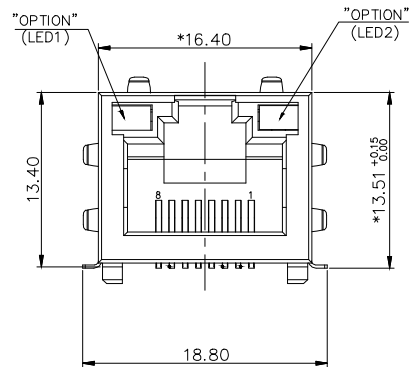
A-MJL-8-EA-xSR-Sxx1

K: Gold flash /Sn
 P: Au 15u" /Sn
 H: Au 30u" /Sn

CG: Bi-color LED,Green/Yellow
 CR: Bi-color LED,Red/Green

LED DISPLAY

PART NO.	LED1	LED2
A-MJL-8-EA-xSR-SCG1		
A-MJL-8-EA-xSR-SCR1		



PCB Layout
Component side shown

RoHS compliant

Unit:mm

Scale Free

TOLERANCE

X.X ±0.20

X.XX ±0.15

X.XXX ±0.10

DIM TOL

X.° ±5°

Angle TOL

Id.	Modification	Date	Name
①	Add the dimension of the pillar	25.08.2021	Daniel
②	Drawn	02.08.2021	Daniel

ASSMANN
WSW components

Date	Name
02.08.2021	Daniel
25.08.2021	Daniel

Description: Modular jack

ASSMANN WSW-No.

A-MJL-8-EA-xSR-SCG1

A-MJL-8-EA-xSR-SCR1

Drawing-No.

ASS 9007 CO

rev01

Customer-No.

SHEET
1 / 1

1

2

3

4

5

6

7