

1

2

3

4

5

6

7

A

B

C

D

E

F

A

B

C

D

E

F

SPECIFICATION

MATERIAL

INSULATOR: THERMOPLASTIC, BLACK RATED UL94V-0
CONTACTS: COPPER ALLOY
SHELL: STAINLESS STEEL

CONTACT PLATING

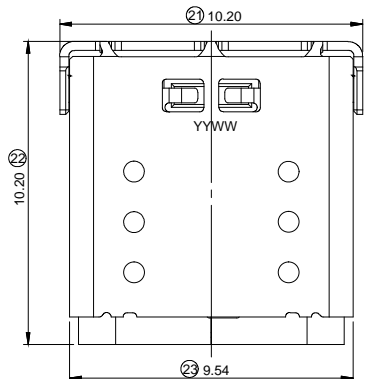
UNDERPLATE: 50u" ~80u" Nickel
CONTACT AREA: 30u" gold
SOLDER TAILS AREA: 100u" ~150u" Tin(matte)

ELECTRICAL

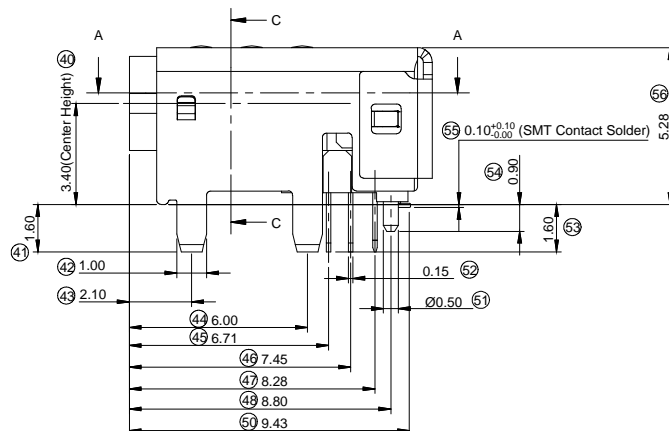
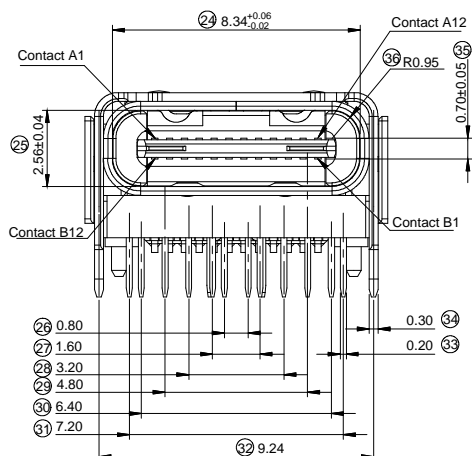
OPERATION VOLTAGE: 20V
CURRENT RATING: 7A MAX
CONTACT RESISTANCE: 40 mΩ initial
INSULATION RESISTANCE: 100 MΩ MIN@100VDC
DIELECTRIC WITHSTANDING VOLTAGE: 100 VAC /MINUTE

TEMPERATURE RANGE: -20 °C TO +105 °C

MATING CYCLES: 10000 INSERTIONS
CONNECTOR IS FULLY COMPATIBLE WITH USB TYPE C 3.1 Gen2
CONNECTOR SPEC.



YEAR
EX. 19=2019
WEEK CODE
YYWW



Scale	Free
TOLERANCE	
X.	±0.50
X.X	±0.30
X.XX	±0.20
DIM	TOL
X.°	±5°
Angle	TOL

Drawn	Date	Name
Approved	Date	Name
Id.	Modification	Date
Id.	Modification	Date

Date	Name
Date	Name
Date	Name
Date	Name

Description: USB CONNECTOR	
USB C Type / USB4 Gen3x2 / Female	
ASSMANN WSW-No.	
A-USB1-DFN-EA-HRR1	
Drawing-No.	rev00
ASS 9023 CO	SHEET 1 / 3
Customer-No.	

RoHS compliant
Unit:mm



1

2

3

4

5

6

7

1

2

3

4

5

6

7

A

A

B

B

C

C

D

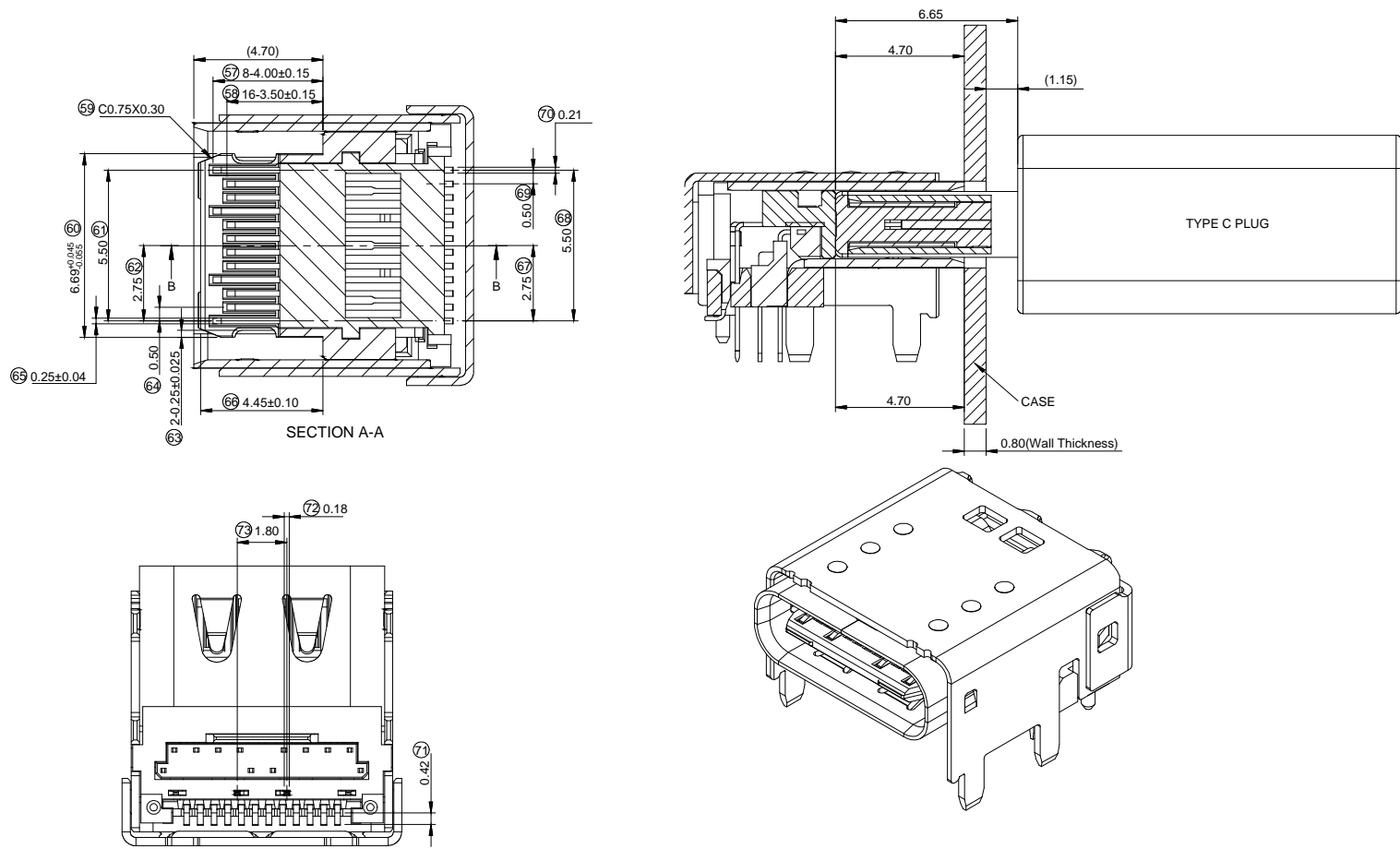
D

E

E

F

F



G

G

RoHS compliant

Unit:mm

Scale	Free
TOLERANCE	
X.	±0.50
X.X	±0.30
X.XX	±0.20
DIM	TOL
X.°	±5°
Angle	TOL

Drawn	02.09.2021	Luca
Approved	02.09.2021	Luca
Id.	Modification	Date
		Name



Description: USB CONNECTOR	
USB C Type / USB4 Gen3x2 / Female	
ASSMANN WSW-No.	
A-USB1-DFN-EA-HRR1	
Drawing-No.	ASS 9023 CO
Customer-No.	rev00
SHEET 2 / 3	

H

H

1

2

3

4

5

6

7

1

2

3

4

5

6

7

A

A

B

B

C

C

D

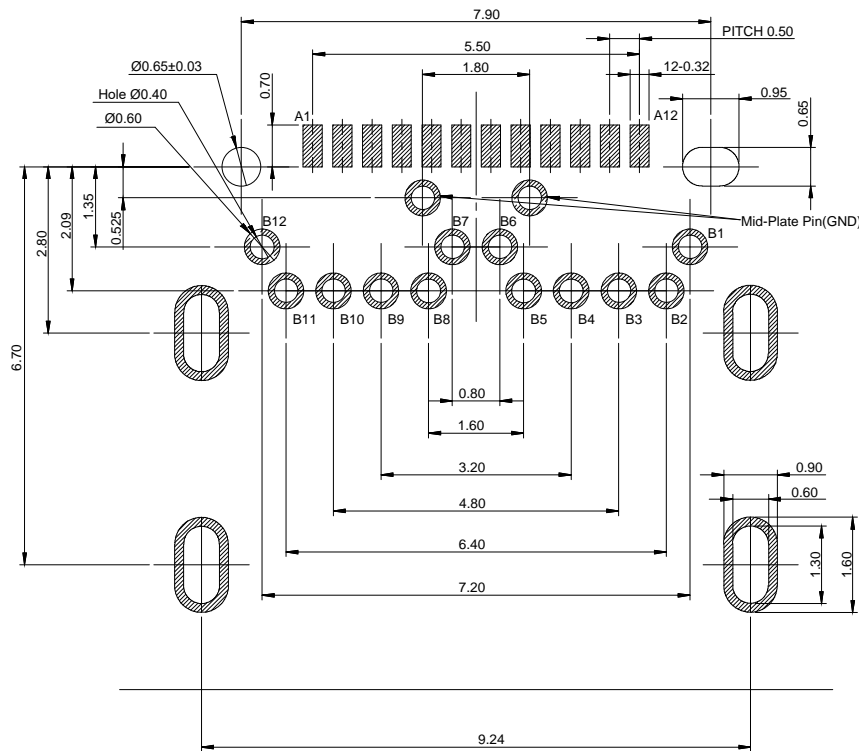
D

E

E

F

F



USB TYPE-C Pin Assignments

Pin Number	Signal Name	Pin Number	Signal Name
A1	GND	B12	GND
A2	SSTXp1	B11	SSRXp1
A3	SSTXn1	B10	SSRXn1
A4	VBUS	B9	VBUS
A5	CC1	B8	SBU2
A6	Dp1	B7	Dn2
A7	Dn1	B6	Dp2
A8	SBU1	B5	CC2
A9	VBUS	B4	VBUS
A10	SSRXn2	B3	SSTXn2
A11	SSRXp2	B2	SSTXp2
A12	GND	B1	GND

RECOMMENDED PCB LAYOUT
 TOLERANCE ±0.05
 PCB THICKNESS =1.6 SOLDER TAIL

RoHS compliant

Unit:mm

Scale	Free
TOLERANCE	
X.	±0.50
X.X	±0.30
X.XX	±0.20
DIM	TOL
X.°	±5°
Angle	TOL

Drawn	Date	Name
Approved	Date	Name
① Drawn	02.09.2021	Luca
Id.	Modification	Date
		Name



Description: USB CONNECTOR	
USB C Type / USB4 Gen3x2 / Female	
ASSMANN WSW-No.	
A-USB1-DFN-EA-HRR1	
Drawing-No.	rev00
ASS 9023 CO	
Customer-No.	SHEET 3 / 3

1

2

3

4

5

6

7