

1

2

3

4

5

6

7

A

A

B

B

C

C

D

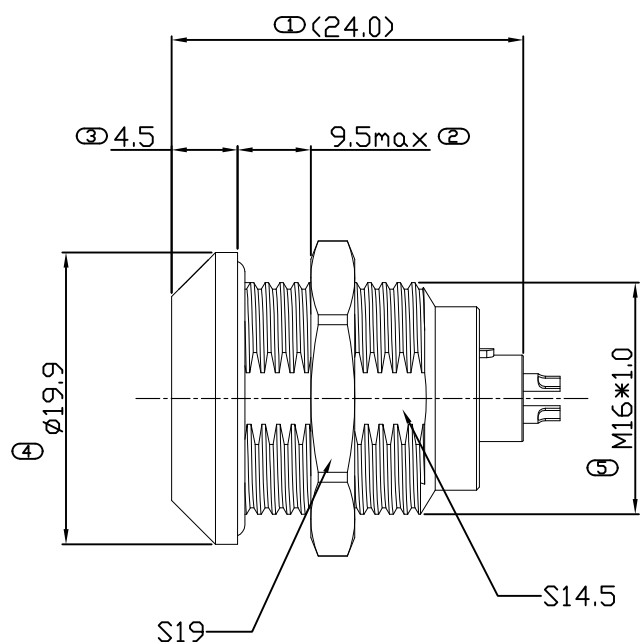
D

E

E

F

F



## NOTE:

## 1.MATERIAL:

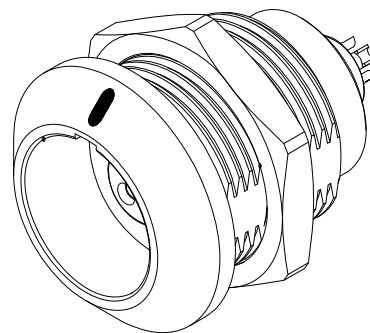
- 1.1 Insulator: PPS  
 1.2 Terminal: Phosphor Bronze  
 1.3 Gasket: Phosphor Bronze  
 1.4 Nut: Brass  
 1.5 Fixed metal part: Riveted copper  
 1.6 Case: Brass  
 1.7 O-ring: Silicon rubber

## 2.MECHANICAL

- 2.1 Durability: 4500 cycles min  
 3. Protection garde: IP66  
 4. Operating temperature: -50°C to +200°C

Order Code: A-CPPK-XX-FGMS-GHB02

Number of Pins



## Electrical character

Series	PIN Number (Solder)	Terminalø	Test voltage(KV rms)		Rated current(A)
			Pin-Pin	Pin-Shell	
02	2-	1.3	1.50	1.35	15.0
03	3-	1.3	1.30	1.55	12.0
04	4-	0.9	1.35	1.45	10.0
05	5-	0.9	1.25	1.15	9.0
06	6-	0.7	1.05	1.20	7.0
07	7-	0.7	0.95	1.05	7.0
08	8-	0.7	0.95	1.15	5.0
10	10-	0.5	0.90	1.50	2.5
12	12-	0.5	0.80	1.20	2.0
14	14-	0.5	0.80	1.20	2.0
16	16-	0.5	0.80	0.95	1.5

G

G

RoHS compliant

unit:mm

Scale Free

TOLERANCE

.X ±0.50

.XX ±0.20

DIM TOL

X.° ±2.0°

.X° ±1.0°

Angle TOL

①

Drawn

22.09.2021

Peter

Id.

modification

Date

Name

Date

Name

Drawn

22.09.2021

Peter

Approved

22.09.2021

Peter

Description: Circular Connector  
Push Pull Self Lock / Female

ASSMANN WSW-NO.

A-CPPK-XX-FGMS-GHB02

Drawing-No.

ASS 9030 CO

rev00

Customer-No.

SHEET  
1 / 2

H

H

1

2

3

4

5

6

7

SV4471

1

2

3

4

5

6

7

## NOTE:

## 1.MATERIAL:

- 1.1 Insulator: PPS  
 1.2 Terminal: Brass  
 1.3 Clamp: Riveted copper  
 1.4 Insulation clip: Brass  
 1.5 Locking sleeve: Riveted copper  
 1.6 Shell+tail cover: Brass  
 1.7 O-ring: Silicon rubber

## 2.MECHANICAL

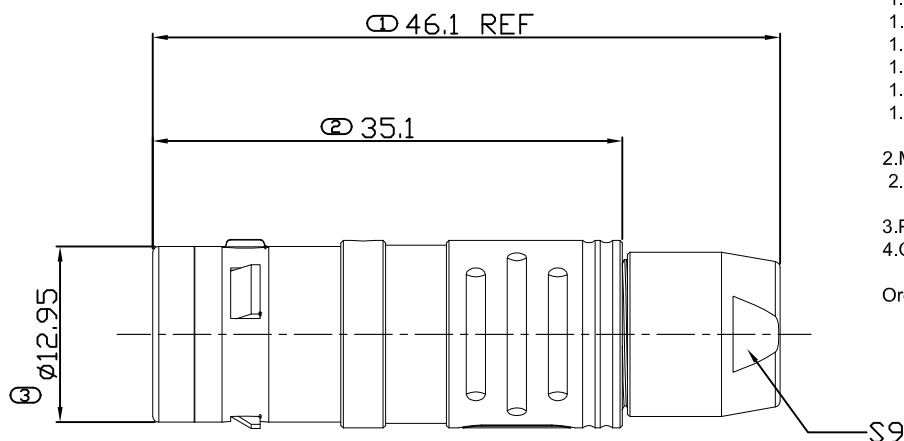
- 2.1 Durability: 4500 cycles min

## 3.Protection garde: IP66

- 4.Operating temperature: -50°C to +200°C

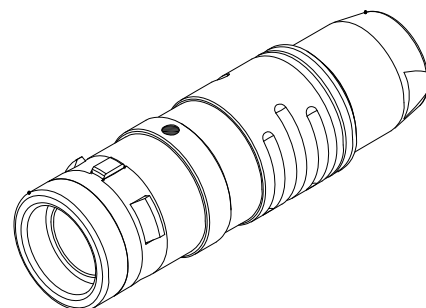
Order Code:A-CPPK-XX-MGMS-GHB02

Number of Pins



## Electrical character

Series	PIN Number (Solder)	Terminalø	Test voltage(KV rms)		Rated current(A)
			Pin-Pin	Pin-Shell	
02	1-2	1.3	1.50	1.35	15.0
03	1-3	1.3	1.30	1.55	12.0
04	1-4	0.9	1.35	1.45	10.0
05	1-5	0.9	1.25	1.15	9.0
06	1-6	0.7	1.05	1.20	7.0
07	1-7	0.7	0.95	1.05	7.0
08	1-8	0.7	0.95	1.15	5.0
10	1-10	0.5	0.90	1.50	2.5
12	1-12	0.5	0.80	1.20	2.0
14	1-14	0.5	0.80	1.20	2.0
16	1-16	0.5	0.80	0.95	1.5



RoHS compliant

unit:mm

Scale Free

TOLERANCE

.X ±0.50

.XX ±0.20

DIM TOL

X.° ±2.0°

.X° ±1.0°

Angle TOL

Free

TOL

TOL

TOL

TOL

TOL

Id.

modification

22.09.2021

Peter

Date

Name

Date

Name

Drawn

22.09.2021

Peter

Approved

22.09.2021

Peter

Description: Circular Connector  
Push Pull Self Lock / Male

ASSMANN WSW-NO.

A-CPPK-XX-MGMS-GHB02

Drawing-No.

ASS 9030 CO

rev00

Customer-No.

SHEET  
2 / 2

**ASSMANN**  
WSW components

1

2

3

4

5

6

7