

1

2

3

4

5

6

7

A

B

C

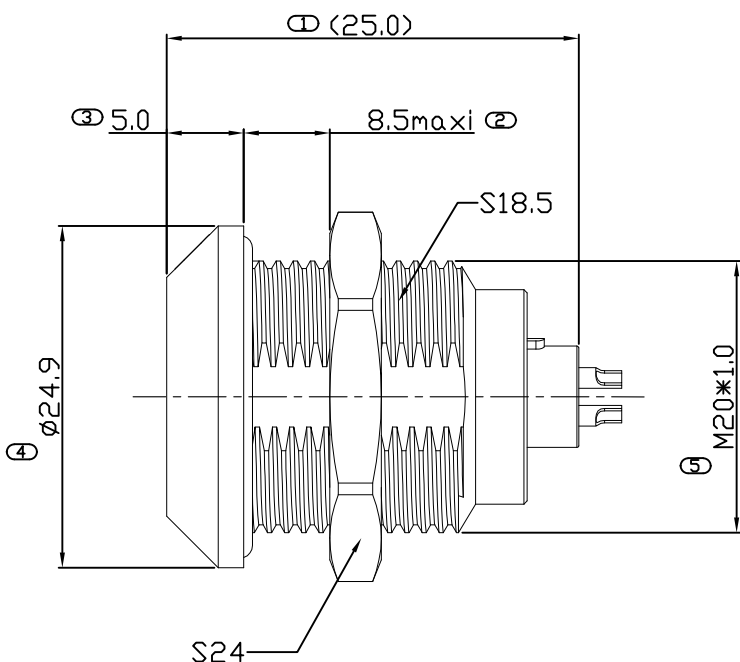
D

E

F

G

H

**NOTE:****1.MATERIAL:**

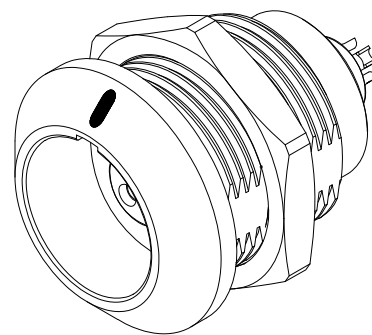
- 1.1 Insulator: PPS
- 1.2 Terminal: Phosphor Bronze
- 1.3 Gasket: Phosphor Bronze
- 1.4 Nut: Brass
- 1.5 Fixed metal part: Riveted copper
- 1.6 Case: Brass
- 1.7 O-ring: Silicon rubber

2.MECHANICAL

- 2.1 Durability: 4500 cycles min
- 3. Protection garde: IP66
- 4. Operating temperature: -50°C to +200°C

Order Code: A-CPPK-XX-FGMS-GHB03

Number of Pins



Electrical character

Series	PIN Number (Solder)	Terminalø	Test voltage(KV rms)		Rated current(A)
			Pin-Pin	Pin-Shell	
02		2.0	2.10	1.75	30.0
03		1.6	2.40	1.85	17.0
04		1.3	1.85	1.85	15.0
05		1.3	1.75	1.60	14.0
06		1.3	1.35	1.45	12.0
07		1.3	1.75	1.60	11.0
08		0.9	1.50	1.25	10.0
10		0.9	1.45	1.30	8.0
12		0.7	1.25	1.35	7.0
14		0.7	1.15	1.35	6.5
16		0.7	0.95	1.25	6.0
18		0.7	0.85	1.20	5.5
19		0.7	0.95	1.25	5.0
26		0.5	0.95	1.30	2.0

RoHS compliant

unit:mm

Scale Free

TOLERANCE

.X ±0.50

.XX ±0.20

DIM TOL

X.° ±2.0°

.X.° ±1.0°

Angle TOL

①

Drawn

22.09.2021

Peter

Id.

modification

Date

Name

Date

Name

Drawn

22.09.2021

Peter

Approved

22.09.2021

Peter

Description: Circular Connector
Push Pull Self Lock / Female

ASSMANN WSW-NO.

A-CPPK-XX-FGMS-GHB03

Drawing-No.

ASS 9031 CO

rev00

Customer-No.

SHEET
1 / 2

1

2

3

4

5

6

7

1

2

3

4

5

6

7

NOTE:

1.MATERIAL:

- 1.1 Insulator: PPS
 1.2 Terminal: Brass
 1.3 Clamp: Riveted copper
 1.4 Insulation clip: Brass
 1.5 Locking sleeve: Riveted copper
 1.6 Shell+tail cover: Brass
 1.7 O-ring: Silicon rubber

2.MECHANICAL

- 2.1 Durability: 4500 cycles min

3.Protection garde: IP66

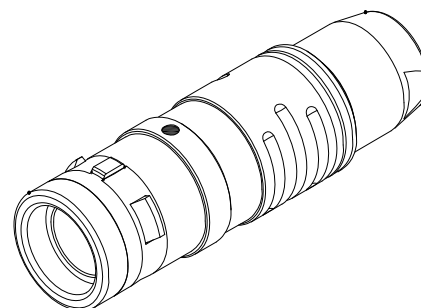
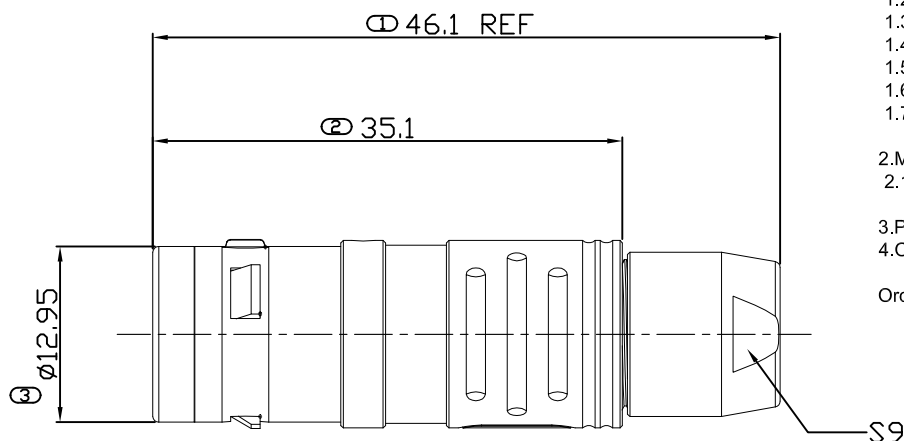
- 4.Operating temperature: -50°C to +200°C

Order Code: A-CPPK-XX-MGMS-GHB03

Number of Pins

Electrical character

Series	PIN Number (Solder)	Terminalø	Test voltage(KV rms)		Rated current(A)
			Pin-Pin	Pin-Shell	
02	1-2	1.3	1.50	1.35	15.0
03	1-3	1.3	1.30	1.55	12.0 (A)
04	1-4	0.9	1.35	1.45	10.0
05	1-5	0.9	1.25	1.15	9.0
06	1-6	0.7	1.05	1.20	7.0
07	1-7	0.7	0.95	1.05	7.0
08	1-8	0.7	0.95	1.15	5.0
10	1-10	0.5	0.90	1.50	2.5
12	1-12	0.5	0.80	1.20	2.0
14	1-14	0.5	0.80	1.20	2.0
16	1-16	0.5	0.80	0.95	1.5
19	1-19	0.7	0.95	1.25	5.0
26	1-26	0.5	0.95	1.30	2.0



A

A

B

B

C

C

D

D

E

E

F

F

G

G

H

H

RoHS compliant
unit:mm

Scale Free

TOLERANCE

.X ±0.50

.XX ±0.20

DIM TOL

X.° ±2.0°

.X.° ±1.0°

Angle TOL

Free

①

Id.

Free

①

Id.

Free

①

Id.

Free

①

Id.

Free

①

Id.

Free

①

Id.

Free

①

Id.

Free

①

Id.

Free

①

Id.

Free

①

Id.

Free

①

Id.

Free

①

Id.

Free

①

Id.

Free

①

Id.

Free

①

Id.

Free

①

Id.

Free

①

Id.

Free

①

Id.

Free

①

Id.

Date

Drawn

Approved

Date

Date

Date

Name

Peter

Peter

Name

Peter

Name

Description: Circular Connector
Push Pull Self Lock / Male

ASSMANN WSW-NO.

A-CPPK-XX-MGMS-GHB03

Drawing-No.

ASS 9031 CO

rev00

Customer-No.

SHEET
2 / 2

ASSMANN
WSW components

1

2

3

4

5

6

7