

1

2

3

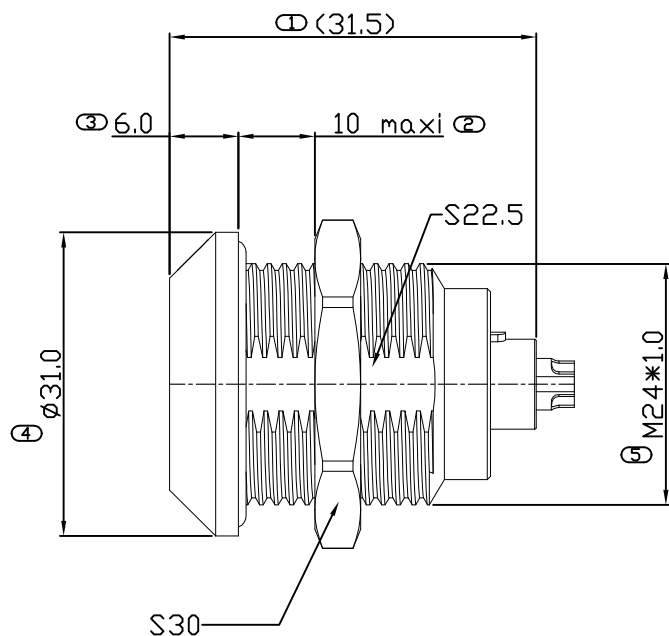
4

5

6

7

A



NOTE:

1.MATERIAL:

- 1.1 Insulator: PPS
 1.2 Terminal: Phosphor Bronze
 1.3 Gasket: Phosphor Bronze
 1.4 Nut: Brass
 1.5 Fixed metal part: Riveted copper
 1.6 Case: Brass
 1.7 O-ring: Silicon rubber

2.MECHANICAL

- 2.1 Durability: 4500 cycles min

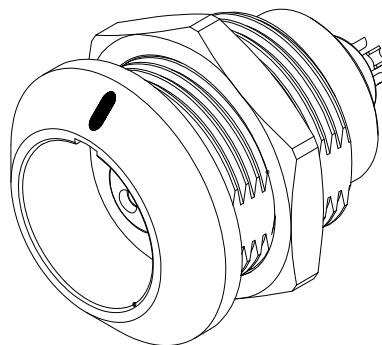
3.Protection garde:

IP66

- 4.Operating temperature: -50°C to +200°C

Order Code:A-CPPK-XX-FGMS-GHB04

Number of Pins



Electrical character

Series	PIN Number (Solder)	Terminalø	Test voltage(KV rms)		Rated current(A)
			Pin-Pin	Pin-Shell	
02	2	3.0	2.10	1.55	35.0
03	3	2.0	1.90	1.50	25.0
04	4	2.0	1.45	1.25	19.0
05	5	1.6	1.90	1.25	19.0
06	6	1.6	1.60	1.15	17.0
07	7	1.6	1.70	1.25	15.0
08	8	1.3	1.65	1.15	13.0
09	8 9	1.3 2.0	1.35 1.35	1.05 1.05	6.0 15.0
00	10	1.3	1.25	0.90	12.0
12	12	0.9	1.45	1.00	9.0
14	14	0.9	1.20	1.20	9.0
16	16	0.9	1.20	0.85	8.0
18	18	0.9	1.20	1.05	7.0

A

B

C

D

E

F

G

H

SV4471

A

B

C

D

E

F

G

H

RoHS compliant
unit:mm

Scale	Free
TOLERANCE	
.X	±0.50
.XX	±0.20
DIM	TOL
X.°	±2.0°
.X°	±1.0°
Angle	TOL

Id.	modification	Date	Name
①	Drawn	22.09.2021	Peter

Drawn	Date	Name
Approved	22.09.2021	Peter
ASSMANN WSW components		

Description: Circular Connector
Push Pull Self Lock / Female

ASSMANN WSW-NO.

A-CPPK-XX-FGMS-GHB04

Drawing-No.
ASS 9032 CO rev00

Customer-No. SHEET
1 / 4

1

2

3

4

5

6

7

1

2

3

4

5

6

7

A

B

C

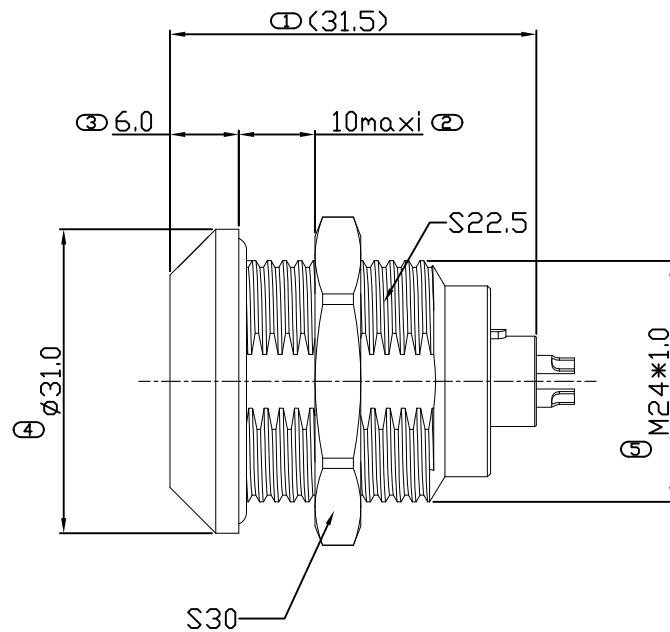
D

E

F

G

H

**NOTE:****1.MATERIAL:**

- 1.1 Insulator: PPS
- 1.2 Terminal: Phosphor Bronze
- 1.3 Gasket: Phosphor Bronze
- 1.4 Nut: Brass
- 1.5 Fixed metal part: Riveted copper
- 1.6 Case: Brass
- 1.7 O-ring: Silicon rubber

2.MECHANICAL

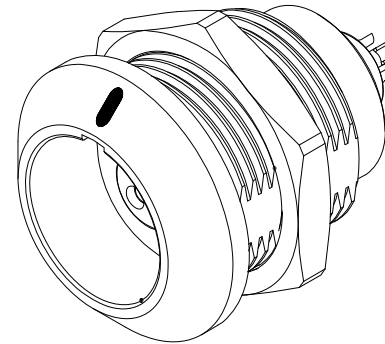
- 2.1 Durability: 4500 cycles min

- 3. Protection grade: IP66

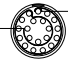
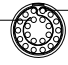

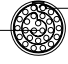
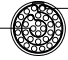
- 4. Operating temperature: -50°C to +200°C

Order Code: A-CPPK-XX-FGMS-GHB04

Number of Pins



Electrical character

Series	PIN Number (Solder)	Terminalø	Test voltage(KV rms)		Rated current(A)
			Pin-Pin	Pin-Shell	
20	20  1	0.7	1.00	0.90	6.0
22	22  1	0.7	1.00	0.90	5.5
24	24  1	0.7	0.95	0.80	4.0
26	26  1	0.7	0.95	0.70	4.0
30	30  1	0.7	0.80	0.70	3.5

RoHS compliant

unit:mm

Scale Free

TOLERANCE

.X ±0.50

.XX ±0.20

DIM TOL

X.° ±2.0°

.X.° ±1.0°

Angle TOL

①

Drawn

22.09.2021

Peter

Id.

modification

Date

Name

Date

Name

Drawn

22.09.2021

Peter

Approved

22.09.2021

Peter

Description: Circular Connector
Push Pull Self Lock / Female

ASSMANN WSW-NO.

A-CPPK-XX-FGMS-GHB04

Drawing-No.

ASS 9032 CO

rev00

Customer-No.

SHEET

2 / 4

1

2

3

4

5

6

7

SV4471

1

2

3

4

5

6

7

NOTE:

1.MATERIAL:

- 1.1 Insulator: PPS
 1.2 Terminal: Brass
 1.3 Clamp: Riveted copper
 1.4 Insulation clip: Brass
 1.5 Locking sleeve: Riveted copper
 1.6 Shell+tail cover: Brass
 1.7 O-ring: Silicon rubber

2.MECHANICAL

- 2.1 Durability: 4500 cycles min

3. Protection grade: IP66

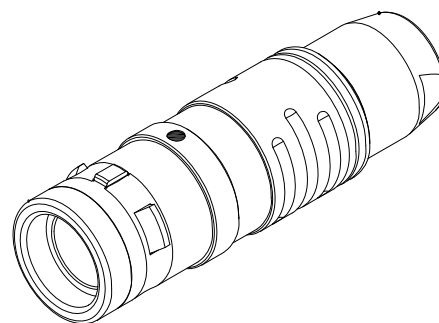
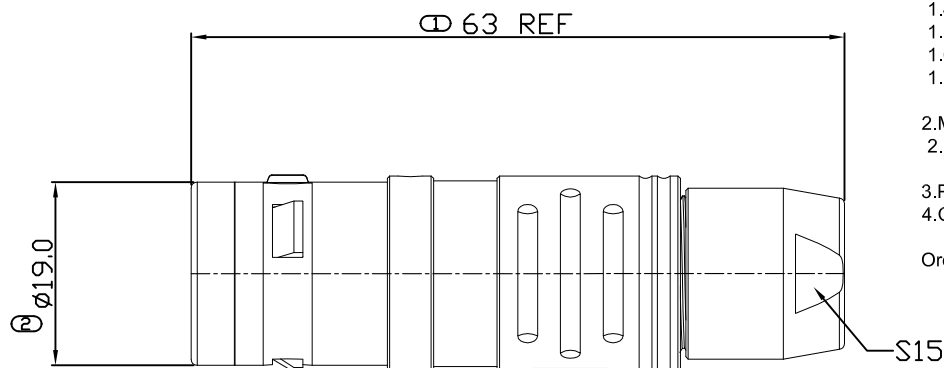
4. Operating temperature: -50°C to +200°C

Order Code: A-CPPK-XX-MGMS-GHB04

Number of Pins

Electrical character

Series	PIN Number (Solder)	Terminalø	Test voltage(KV rms)		Rated current(A)
			Pin-Pin	Pin-Shell	
02	1-2	3.0	2.10	1.55	35.0
03	1-3	2.0	1.90	1.50	25.0
04	1-4	2.0	1.45	1.25	19.0
05	1-5	1.6	1.90	1.25	19.0
06	1-6	1.6	1.60	1.15	17.0
07	1-7	1.6	1.70	1.25	15.0
08	1-8	1.3	1.65	1.15	13.0
09	1-8-9	1.3 2.0	1.35 1.35	1.05 1.05	6.0 15.0
10	1-10	1.3	1.25	0.90	12.0
12	1-12	0.9	1.45	1.00	9.0
14	1-14	0.9	1.20	1.20	9.0
16	1-16	0.9	1.20	0.85	8.0
18	1-18	0.9	1.20	1.05	7.0



S15

RoHS compliant

unit:mm

Scale Free

TOLERANCE

.X ±0.50

.XX ±0.20

DIM TOL

X.° ±2.0°

.X.° ±1.0°

Angle TOL

①

Drawn

22.09.2021

Peter

Id.

modification

Date

Name

Date

Name

Drawn

22.09.2021

Peter

Approved

22.09.2021

Peter

Description: Circular Connector
 Push Pull Self Lock / Male

ASSMANN WSW-NO.

A-CPPK-XX-MGMS-GHB04

Drawing-No.

ASS 9032 CO

rev00

Customer-No.

SHEET
3 / 4

1

2

3

4

5

6

7

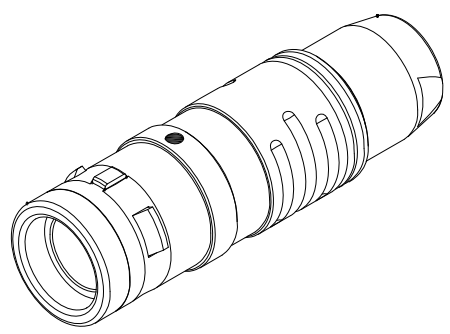
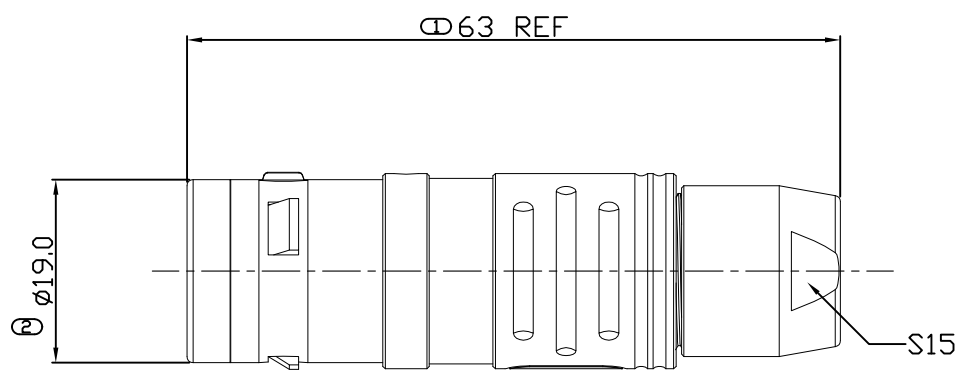
NOTE:

1.MATERIAL:
 1.1 Insulator: PPS
 1.2 Terminal: Brass
 1.3 Clamp: Riveted copper
 1.4 Insulation clip: Brass
 1.5 Locking sleeve: Riveted copper
 1.6 Shell+tail cover: Brass
 1.7 O-ring: Silicon rubber

2.MECHANICAL
 2.1 Durability: 4500 cycles min

3.Protection garde: IP66
4.Operating temperature: -50°C to +200°C

Order Code: A-CPPK-XX-MGMS-GHB04
 └── Number of Pins



Electrical character

Series	PIN Number (Solder)	Terminal Ø	Test voltage(KV rms)		Rated current(A)
			Pin-Pin	Pin-Shell	
20	1 20	0.7	1.00	0.90	6.0
22	1 22	0.7	1.00	0.90	5.5
24	1 24	0.7	0.95	0.80	4.0
26	1 26	0.7	0.95	0.70	4.0
30	1 30	0.7	0.80	0.70	3.5

RoHS compliant
unit:mm

Scale	Free
TOLERANCE	
.X	± 0.50
.XX	± 0.20
DIM	TOL
X.°	$\pm 2.0^\circ$
.X°	$\pm 1.0^\circ$
Angle	TOL

Drawn	22.09.2021	Peter
Approved	22.09.2021	Peter
Id.	modification	Date Name

ASSMANN
WSW components

Date Name Description: Circular Connector
Push Pull Self Lock / Male

ASSMANN WSW-NO.
A-CPPK-XX-MGMS-GHB04

Drawing-No. ASS 9032 CO rev00

Customer-No. SHEET 4 / 4