

1

2

3

4

5

6

7

## NOTE:

## 1.MATERIAL:

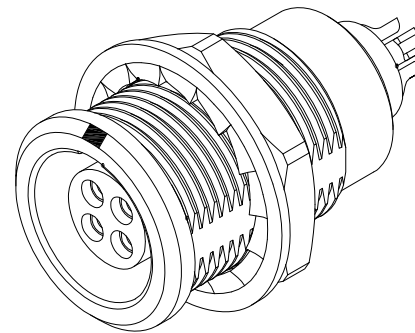
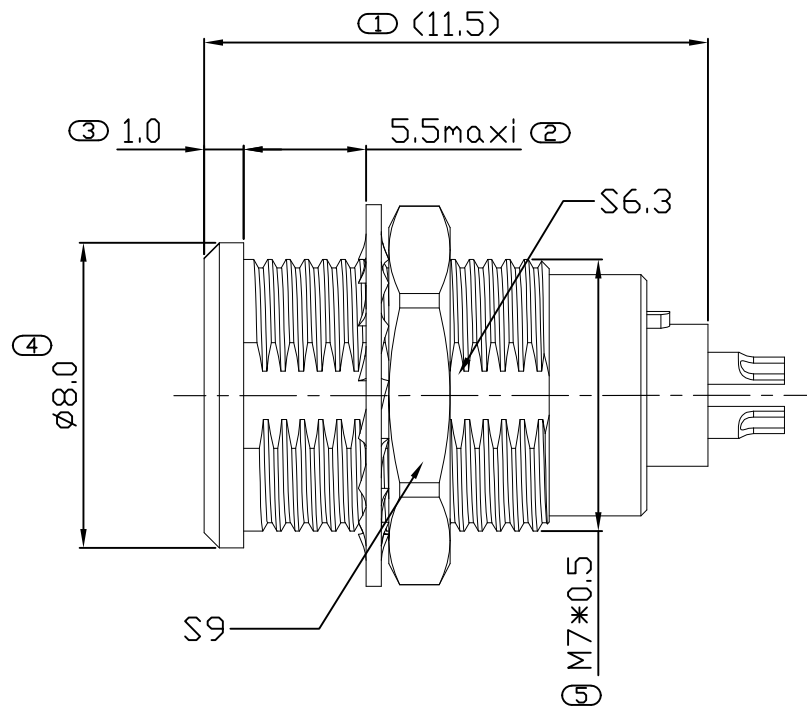
- 1.1 Insulator: PPS
- 1.2 Terminal: Phosphor Bronze
- 1.3 Gasket: Phosphor Bronze
- 1.4 Nut: Brass
- 1.5 Fixed metal part: Riveted copper
- 1.6 Case: Brass

## 2.MECHANICAL

- 2.1 Durability: 4500 cycles min
- 3. Protection garde: IP50
- 4. Operating temperature: -50°C to +200°C

Order Code:A-CPPB-XX-FGMS-GHB01

Number of Pins



## Electrical character

| Series | PIN Number (Solder) | Terminalø | Test voltage(KV rms) |           | Rated current(A) |
|--------|---------------------|-----------|----------------------|-----------|------------------|
|        |                     |           | Pin-Pin              | Pin-Shell |                  |
| 02     | 2                   | 0.5       | 1.00                 | 0.95      | 5.0              |
| 03     | 3                   | 0.5       | 0.80                 | 0.95      | 3.0              |
| 04     | 4                   | 0.5       | 0.80                 | 0.65      | 2.0              |

RoHS compliant

unit:mm

Scale Free

TOLERANCE

.X ±0.50

.XX ±0.20

DIM TOL

X.° ±2.0°

.X.° ±1.0°

Angle TOL

①

Drawn

15.09.2021

Peter

Id.

modification

Date

Name

Date

Name

Drawn

15.09.2021

Peter

Approved

15.09.2021

Peter

Description: Circular Connector  
Push Pull Self Lock / Female

ASSMANN WSW-NO.

A-CPPB-XX-FGMS-GHB01

Drawing-No.

ASS 9033 CO

rev00

Customer-No.

SHEET  
1 / 2

1

2

3

4

5

6

7

1

2

3

4

5

6

7

**NOTE:****1.MATERIAL:**

- 1.1 Insulator: PPS
- 1.2 Terminal: Brass
- 1.3 Clamp: Riveted copper
- 1.4 Insulation clip: Brass
- 1.5 Locking sleeve: Riveted copper
- 1.6 Shell+tail cover: Brass

**2.MECHANICAL**

- 2.1 Durability: 4500 cycles min

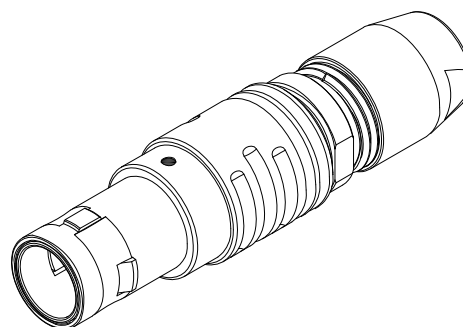
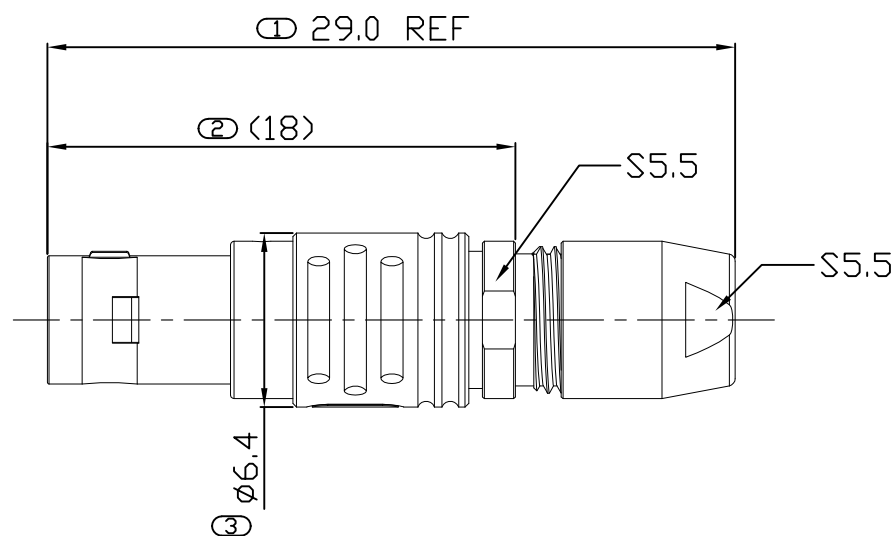
**3.Protection garde:**

IP50

**4.Operating temperature:** -50°C to +200°C

Order Code:A-CPPB-XX-MGMS-GHB01

Number of Pins



## Electrical character

| Series | PIN Number (Solder) | Terminalø | Test voltage(KV rms) |           | Rated current(A) |
|--------|---------------------|-----------|----------------------|-----------|------------------|
|        |                     |           | Pin-Pin              | Pin-Shell |                  |
| 02     | 1-2                 | 0.5       | 1.00                 | 0.95      | 5.0              |
| 03     | 1-3                 | 0.5       | 0.80                 | 0.95      | 3.0              |
| 04     | 1-4                 | 0.5       | 0.80                 | 0.65      | 2.0              |

G

RoHS compliant

unit:mm

Scale Free

TOLERANCE

.X ±0.50

.XX ±0.20

DIM TOL

X.° ±2.0°

.X.° ±1.0°

Angle TOL

Free

①

Id.

Free

①

Id.

Free

①

Id.

Free

①

Id.

Free

①

Id.

Free

①

Id.

Free

①

Id.

Free

①

Id.

Free

①

Id.

Free

①

Id.

Free

①

Id.

Free

①

Id.

Free

①

Id.

Free

①

Id.

Free

①

Id.

Free

①

Id.

Free

①

Id.

Free

①

Id.

Free

①

Id.

Date

Name

Description: Circular Connector  
Push Pull Self Lock / Male

Drawn

15.09.2021

Peter

Approved

15.09.2021

Peter

ASSMANN WSW-NO.

A-CPPB-XX-MGMS-GHB01

Drawing-No.

ASS 9033 CO

rev00

Customer-No.

SHEET  
2 / 2

1

2

3

4

5

6

7

SV4471