

NOTE:

- 1.MATERIAL:
 1.1 Insulator: PPS
 1.2 Terminal: Phosphor Bronze
 1.3 Gasket: Phosphor Bronze
 1.4 Nut: Brass
 1.5 Fixed metal part: Riveted copper
 1.6 Case: Brass

- 2.MECHANICAL
 2.1 Durability: 4500 cycles min
 3. Protection grade: IP50
 4. Operating temperature: -50°C to +200°C

Order Code: A-CPPB-XX-FGMS-GHB02
 └─── Number of Pins

Electrical character

Series	PIN Number (Solder)	Terminalø	Test voltage(KV rms)		Rated current(A)
			Pin-Pin	Pin-Shell	
02		0.9	1.30	1.05	10.0
03		0.9	1.20	0.90	8.0
04		0.7	0.85	0.70	7.0
05		0.7	1.00	0.70	6.5
06		0.5	0.85	0.65	2.5
07		0.5	0.80	0.70	2.5
09		0.5	0.60	0.50	2.0

RoHS compliant
unit:mm

Scale	Free
TOLERANCE	
.X	±0.50
.XX	±0.20
DIM	TOL
X.°	±2.0°
.X°	±1.0°
Angle	TOL

Drawn	15.09.2021	Peter
Id.	modification	Date Name

Date Name
 Drawn 15.09.2021 Peter
 Approved 15.09.2021 Peter

Description: Circular Connector
Push Pull Self Lock / Female
 ASSMANN WSWW-NO.
A-CPPB-XX-FGMS-GHB02
 Drawing-No. ASS 9034 CO rev00
 Customer-No. SHEET 1 / 2

1

2

3

4

5

6

7

NOTE:

1.MATERIAL:

- 1.1 Insulator: PPS
- 1.2 Terminal: Brass
- 1.3 Clamp: Riveted copper
- 1.4 Insulation clip: Brass
- 1.5 Locking sleeve: Riveted copper
- 1.6 Shell+tail cover: Brass

2.MECHANICAL

- 2.1 Durability: 4500 cycles min

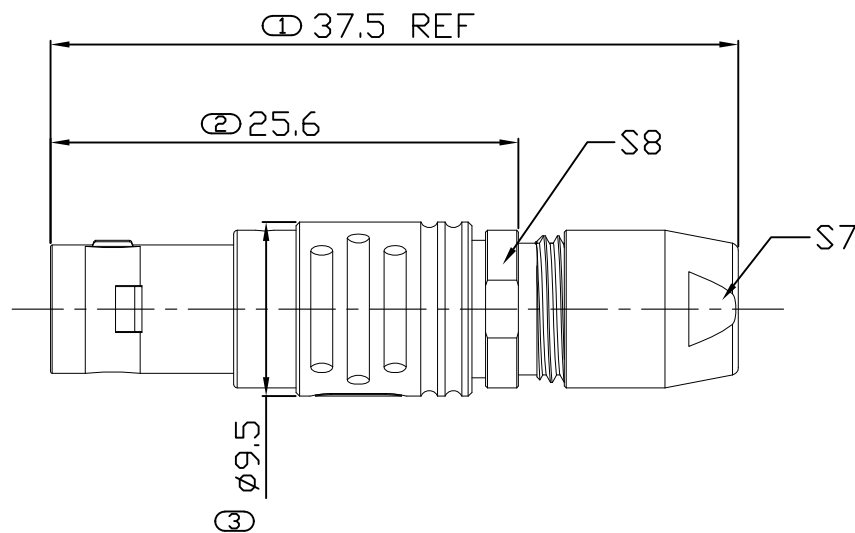
3.Protection garde:

IP50

- 4.Operating temperature: -50°C to +200°C

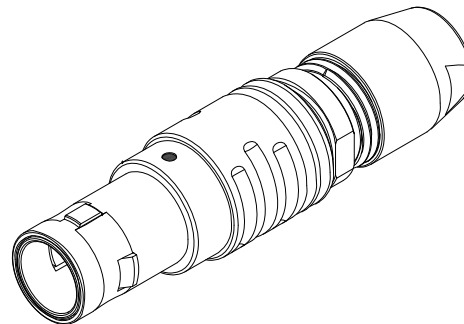
Order Code:A-CPPB-XX-MGMS-GHB02

Number of Pins



Electrical character

Series	PIN Number (Solder)	Terminalø	Test voltage(KV rms)		Rated current(A)
			Pin-Pin	Pin-Shell	
02	1-2	0.9	1.30	1.05	10.0
03	1-3	0.9	1.20	0.90	8.0
04	1-4	0.7	0.85	0.70	7.0
05	1-5	0.7	1.00	0.70	6.5
06	1-6	0.5	0.85	0.65	2.5
07	1-7	0.5	0.80	0.70	2.5
09	1-9	0.5	0.60	0.50	2.0



G

RoHS compliant

unit:mm

Scale Free

TOLERANCE

.X ±0.50

.XX ±0.20

DIM TOL

X.° ±2.0°

.X.° ±1.0°

Angle TOL

①

Drawn

15.09.2021

Peter

Id.

modification

Date

Name

Date

Name

Drawn

15.09.2021

Peter

Approved

15.09.2021

Peter

Description: Circular Connector
Push Pull Self Lock / Male

ASSMANN WSW-NO.

A-CPPB-XX-MGMS-GHB02

Drawing-No.

ASS 9034 CO

rev00

Customer-No.

SHEET
2 / 2

SV4471

1

2

3

4

5

6

7