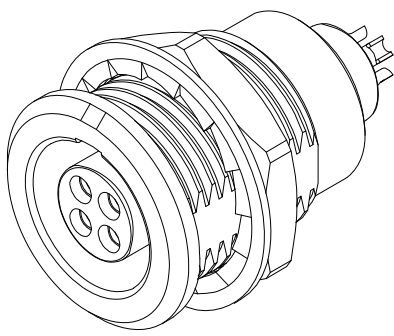


NOTE:

- 1.MATERIAL:
 - 1.1 Insulator: PPS
 - 1.2 Terminal: Phosphor Bronze
 - 1.3 Gasket: Phosphor Bronze
 - 1.4 Nut: Brass
 - 1.5 Fixed metal part: Riveted copper
 - 1.6 Case: Brass

- 2.MECHANICAL
 - 2.1 Durability: 4500 cycles min
 - 3.Protection garde: IP50
 - 4.Operating temperature: -50°C to +200°C

Order Code:A-CPPB-XX-FGMS-GHB03
 Number of Pins



Electrical character

Series	PIN Number (Solder)	Terminalø	Test voltage(KV rms)		Rated current(A)
			Pin-Pin	Pin-Shell	
02	2-1	1.3	1.50	1.35	15.0
03	3-1	1.3	1.30	1.55	12.0
04	4-1	0.9	1.35	1.45	10.0
05	5-1	0.9	1.25	1.15	9.0
06	6-1	0.7	1.05	1.20	7.0
07	7-1	0.7	0.95	1.05	7.0
08	8-1	0.7	0.95	1.15	5.0
10	10-1	0.5	0.90	1.50	2.5
12	12-1	0.5	0.80	1.20	2.0
14	14-1	0.5	0.80	1.20	2.0
16	16-1	0.5	0.80	0.95	1.5

RoHS compliant
unit:mm

Scale	Free
TOLERANCE	
.X	±0.50
.XX	±0.20
DIM	TOL
X.°	±2.0°
.X°	±1.0°
Angle	TOL

Drawn	15.09.2021	Peter
Approved	15.09.2021	Peter
Id.	modification	Date Name

ASSMANN
WSW components

Date: 15.09.2021
 Name: Peter
 Description: Circular Connector
 Push Pull Self Lock / Female
 ASSMANN WSW-NO.
A-CPPB-XX-FGMS-GHB03
 Drawing-No. ASS 9035 CO rev00
 Customer-No. SHEET 1 / 2

