

1

2

3

4

5

6

7

A

B

C

D

E

F

G

H

A

B

C

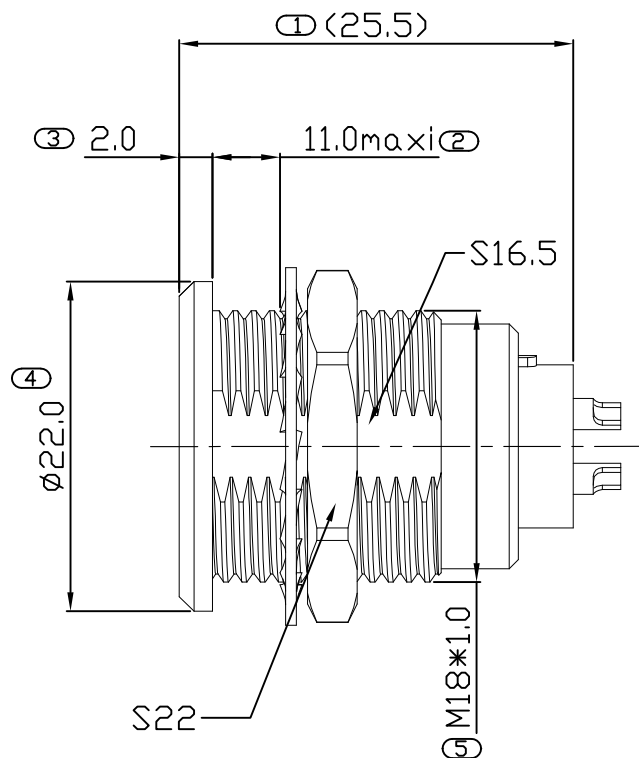
D

E

F

G

H



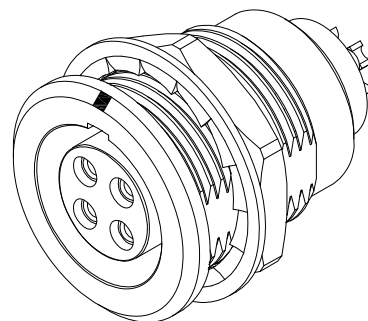
## NOTE:

- 1.MATERIAL:  
 1.1 Insulator: PPS  
 1.2 Terminal: Phosphor Bronze  
 1.3 Gasket: Phosphor Bronze  
 1.4 Nut: Brass  
 1.5 Fixed metal part: Riveted copper  
 1.6 Case: Brass

- 2.MECHANICAL  
 2.1 Durability: 4500 cycles min

3. Protection garde: IP50  
 4. Operating temperature: -50°C to +200°C

Order Code: A-CPPB-XX-FGMS-GHB05  
 └── Number of Pins



## Electrical character

Series	PIN Number (Solder)	Terminalø	Test voltage(KV rms)		Rated current(A)
			Pin-Pin	Pin-Shell	
02	2-1	3.0	2.10	1.55	35.0
03	3-1	2.0	1.90	1.50	25.0
04	4-1	2.0	1.45	1.25	19.0
05	5-1	1.6	1.90	1.25	19.0
06	6-1	1.6	1.60	1.15	17.0
07	7-1	1.6	1.70	1.25	15.0
08	8-1	1.3	1.65	1.15	13.0
09	8-9-1	1.3 2.0	1.35 1.35	1.05 1.05	6.0 15.0
10	10-1	1.3	1.25	0.90	12.0
12	12-1	0.9	1.45	1.00	9.0
14	14-1	0.9	1.20	1.20	9.0
16	16-1	0.9	1.20	0.85	8.0
18	18-1	0.9	1.20	1.05	7.0

RoHS compliant  
 unit:mm

Scale Free

TOLERANCE

.X ±0.50

.XX ±0.20

DIM TOL

X.° ±2.0°

.X.° ±1.0°

Angle TOL

Id.

modification

Date

Name

Date

Name

Drawn

15.09.2021

Peter

Approved

15.09.2021

Peter

Description: Circular Connector  
 Push Pull Self Lock / Female

ASSMANN WSW-NO.

A-CPPB-XX-FGMS-GHB05

Drawing-No.

ASS 9037 CO

rev00

Customer-No.

SHEET  
1 / 4

**ASSMANN**  
 WSW components

1

2

3

4

5

6

7

SV4471



1

2

3

4

5

6

7

A

B

C

D

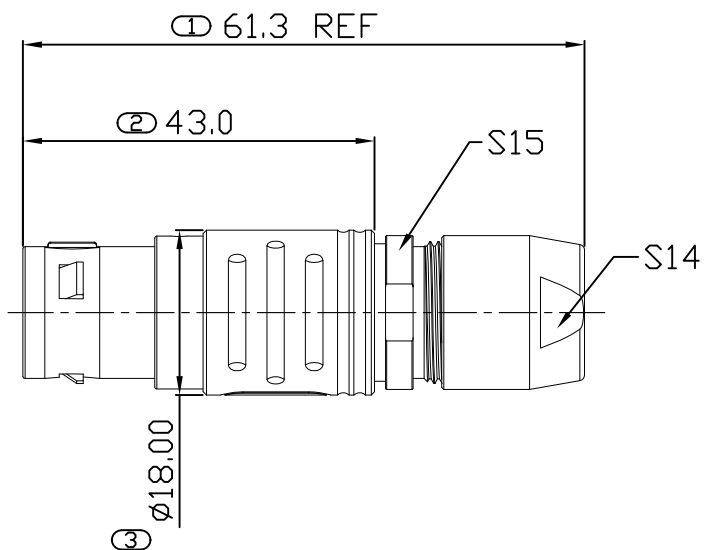
E

F

G

H

SV4471

**NOTE:****1.MATERIAL:**

- 1.1 Insulator: PPS
- 1.2 Terminal: Brass
- 1.3 Clamp: Riveted copper
- 1.4 Insulation clip: Brass
- 1.5 Locking sleeve: Riveted copper
- 1.6 Shell+tail cover: Brass

**2.MECHANICAL**

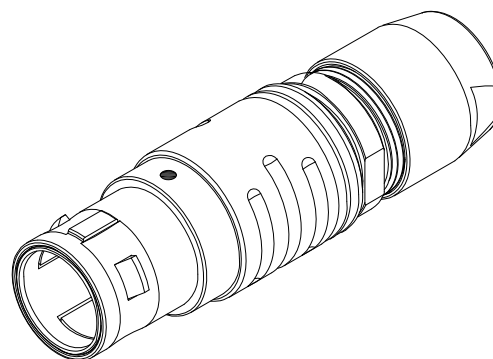
- 2.1 Durability: 4500 cycles min

**3.Protection garde:** IP50

- 4.Operating temperature: -50°C to +200°C

Order Code:A-CPPB-XX-MGMS-GHB05

Number of Pins



## Electrical character

Series	PIN Number (Solder)	Terminalø	Test voltage(KV rms)		Rated current(A)
			Pin-Pin	Pin-Shell	
02	1-3	3.0	2.10	1.55	35.0
03	1-3	2.0	1.90	1.50	25.0
04	1-4	2.0	1.45	1.25	19.0
05	1-5	1.6	1.90	1.25	19.0
06	1-6	1.6	1.60	1.15	17.0
07	1-7	1.6	1.70	1.25	15.0
08	1-8	1.3	1.65	1.15	13.0
09	1-8-9	1.3 2.0	1.35 1.35	1.05 1.05	6.0 15.0
10	1-10	1.3	1.25	0.90	12.0
12	1-12	0.9	1.45	1.00	9.0
14	1-14	0.9	1.20	1.20	9.0
16	1-16	0.9	1.20	0.85	8.0
18	1-18	0.9	1.20	1.05	7.0

RoHS compliant

unit:mm

Scale Free

TOLERANCE

.X ±0.50

.XX ±0.20

DIM TOL

X.° ±2.0°

.X.° ±1.0°

Angle TOL

①

Drawn

15.09.2021

Peter

Id.

modification

Date

Name

Date

Name

Drawn

15.09.2021

Peter

Approved

15.09.2021

Peter

Description: Circular Connector  
Push Pull Self Lock / Male

ASSMANN WSW-NO.

A-CPPB-XX-MGMS-GHB05

Drawing-No.

ASS 9037 CO

rev00

Customer-No.

SHEET  
3 / 4

1

2

3

4

5

6

7

1

2

3

4

5

6

7

## NOTE:

## 1.MATERIAL:

- 1.1 Insulator: PPS
- 1.2 Terminal: Brass
- 1.3 Clamp: Riveted copper
- 1.4 Insulation clip: Brass
- 1.5 Locking sleeve: Riveted copper
- 1.6 Shell+tail cover: Brass

## 2.MECHANICAL

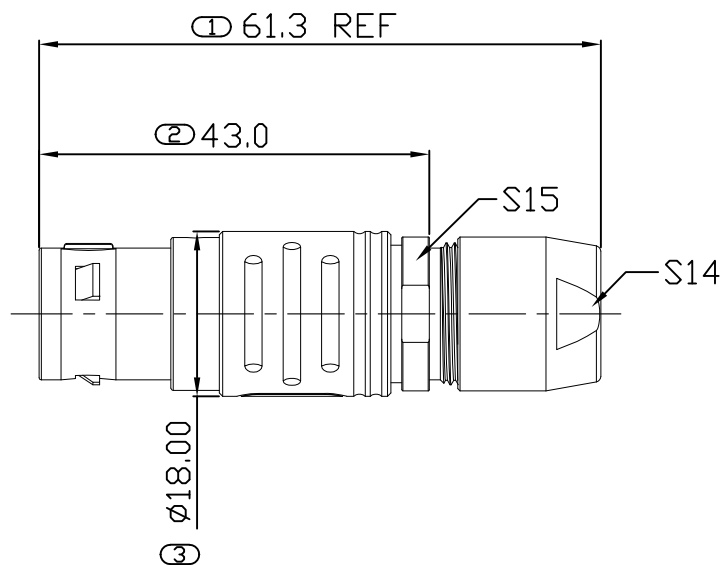
- 2.1 Durability: 4500 cycles min

- 3. Protection garde: IP50

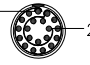
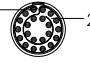


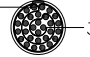
- 4. Operating temperature: -50°C to +200°C

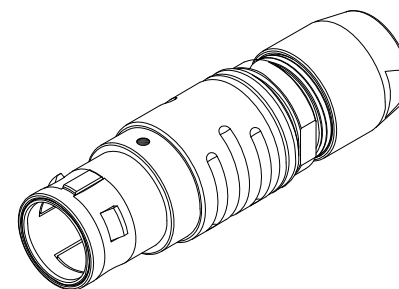
Order Code: A-CPPB-XX-MGMS-GHB05

└── Number of Pins



## Electrical character

Series	PIN Number (Solder)	Terminalø	Test voltage(KV rms)		Rated current(A)
			Pin-Pin	Pin-Shell	
20	1  20	0.7	1.00	0.90	6.0
22	1  22	0.7	1.00	0.90	5.5
24	1  24	0.7	0.95	0.80	4.0
26	1  26	0.7	0.95	0.70	4.0
30	1  30	0.7	0.80	0.70	3.5



RoHS compliant

unit:mm

Scale Free

TOLERANCE

.X ±0.50

.XX ±0.20

DIM TOL

X.° ±2.0°

.X.° ±1.0°

Angle TOL

①

Drawn

15.09.2021

Peter

Id.

modification

Date

Name

Date

Name

Drawn

15.09.2021

Peter

Approved

15.09.2021

Peter

Description: Circular Connector  
Push Pull Self Lock / Male

ASSMANN WSW-NO.

A-CPPB-XX-MGMS-GHB05

Drawing-No.

ASS 9037 CO

rev00

Customer-No.

SHEET  
4 / 4

1

2

3

4

5

6

7

SV4471