

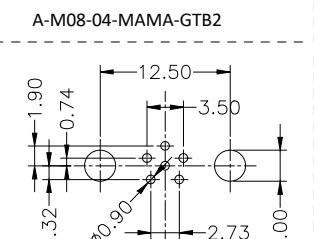
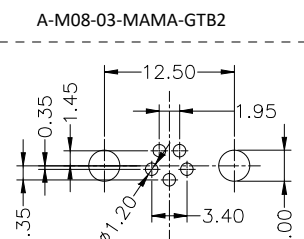
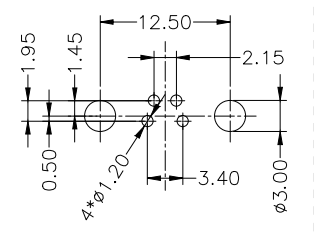
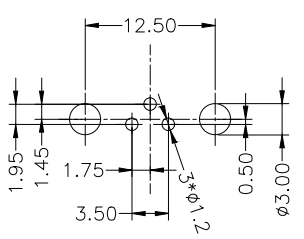
Detailed Product Description:
 Waterproof connector rating is IP67
 Protected from dust and water during immersion,
 resistant to many oils and chemical etc

Other Specification
 Contact Pin: Brass with Gold plating.
 Coupling nut/screw: Brass with nickel plating
 Insulation plastic: PA66+GF
 Degree of protection: IP67
 Operating temperature: $-40^{\circ}\text{C} \sim +85^{\circ}\text{C}$ ①

Order Code:
 A-M08-xx-MAMA-GTB2
 └─ Number of Pins

RECOMMENDED
 PANEL CUT-OUT

RECOMMENDED PCB LAYOUT

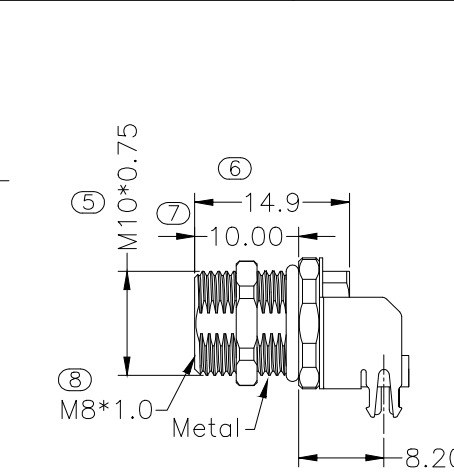
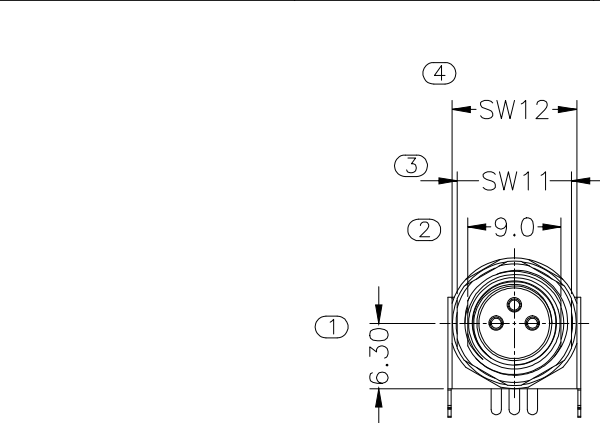
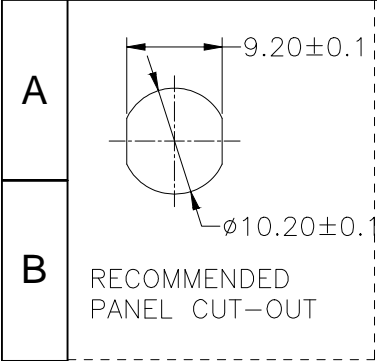


Electrical character

Part Number	Contacts	Rated voltage		Rated current	Contact Resistance
		A/C	D/C		
A-M08-03-MAMA-GTB2		60V	60V	3A	10mΩ
A-M08-04-MAMA-GTB2		60V	60V	3A	10mΩ
A-M08-05-MAMA-GTB2		30V	30V	3A	10mΩ
A-M08-06-MAMA-GTB2		30V	30V	1.5A	10mΩ

RoHS compliant
 Unit:mm

Scale	Free					Date	Name	Description: Circular Connector M8 / A-Coding / DIP / 90° / Male	
TOLERANCE						Drawn	27.09.2021		Luca
X.X	±0.50					Approved	28.09.2021		Luca
X.XX	±0.20							ASSMANN WSW-No. A-M08-xx-MAMA-GTB2	
DIM	TOL	①	Update operating temperature	28.09.2021	Luca	ASSMANN WSW components		Drawing-No. ASS 9038 CO	rev01
X.X°	±1°	②	Drawn	27.09.2021	Luca			Customer-No.	SHEET 1 / 2
X.°	±2°								
Angle	TOL	Id.	Modification	Date	Name				

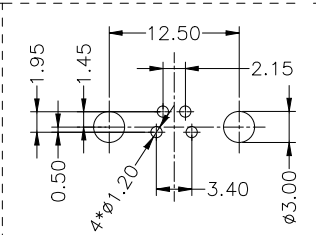
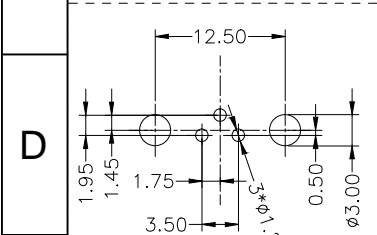


Detailed Product Description:
 Waterproof connector rating is IP67
 Protected from dust and water during immersion,
 resistant to many oils and chemical etc

Other Specification
 Contact Pin: Phosphor bronze with Gold plating.
 Coupling nut/screw: Brass with nickel plating
 Insulation plastic: PA66+GF
 Degree of protection: IP67
 Operating temperature: -40°C ~ +85°C ①

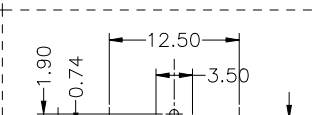
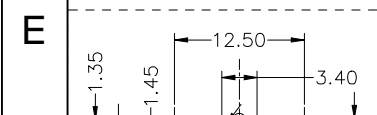
Order Code:
 A-M08-xx-FAMA-GTB2
 Number of Pins

RECOMMENDED PCB LAYOUT



A-M08-03-FAMA-GTB2

A-M08-04-FAMA-GTB2



A-M08-05-FAMA-GTB2

A-M08-06-FAMA-GTB2

Electrical character

Part Number	Contacts	Rated voltage		Rated current	Contact Resistance
		A/C	D/C		
A-M08-03-FAMA-GTB2		60V	60V	3A	10mΩ
A-M08-04-FAMA-GTB2		60V	60V	3A	10mΩ
A-M08-05-FAMA-GTB2		30V	30V	3A	10mΩ
A-M08-06-FAMA-GTB2		30V	30V	1.5A	10mΩ

RoHS compliant
 Unit:mm

Scale	Free						Date	Name	Description: Circular Connector M8 / A-Coding / DIP / 90° / Female	
TOLERANCE						Drawn	27.09.2021	Luca		
X.X	±0.50					Approved	28.09.2021	Luca		
X.XX	±0.20								ASSMANN WSW-No. A-M08-xx-FAMA-GTB2	
DIM	TOL	①	Update operating temperature	28.09.2021	Luca				Drawing-No. ASS 9038 CO	rev01
X.X°	±1°	②	Drawn	27.09.2021	Luca					
X.°	±2°									
Angle	TOL	Id.	Modification	Date	Name				Customer-No.	SHEET 2 / 2