

1 2 3 4 5 6 7

A

A

B

B

C

C

D

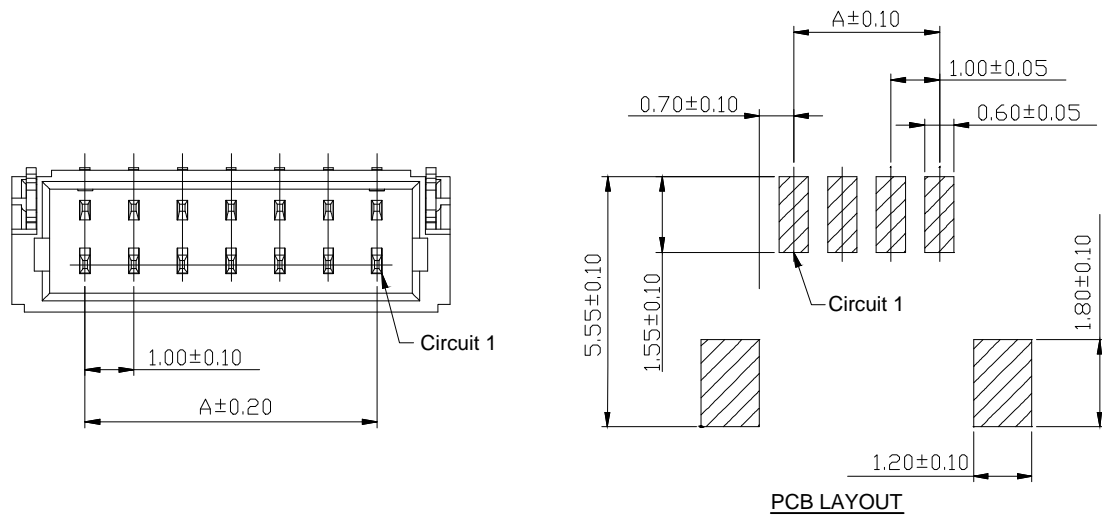
D

E

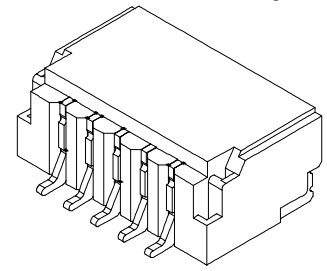
E

F

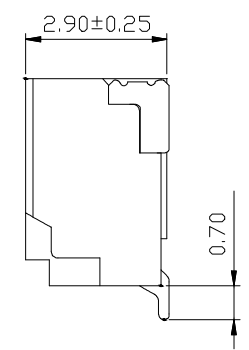
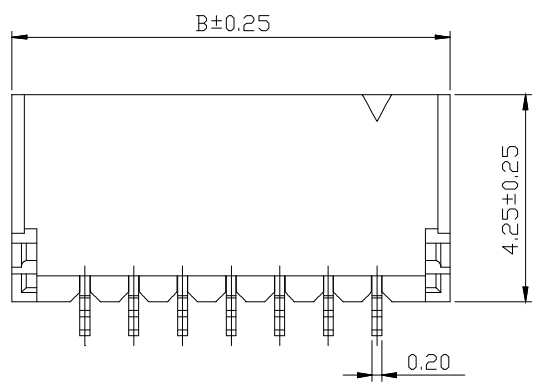
F



Notes:
 Insulator Material: Nylon 6T, UL94v-0, Ivory
 Pin Material: Phosphor Bronze, Tin Plated
 Voltage Rating: 50V AC,DC;
 Current Rating: 1A AC,DC;
 Withstanding Voltage: 500V AC/minute;
 Insulation Resistance: 100MΩ Min;
 Operation Temperature: -40°C to +105°C;
 Packing: Reel;



PCB LAYOUT



No. of Contact	DIM A	DIM B	No. of Contact	DIM A	DIM B
2	1.00	4.00	12	11.00	14.00
3	2.00	5.00	13	12.00	15.00
4	3.00	6.00	14	13.00	16.00
5	4.00	7.00	15	14.00	17.00
6	5.00	8.00	16	15.00	18.00
7	6.00	9.00	17	16.00	19.00
8	7.00	10.00	18	17.00	20.00
9	8.00	11.00	19	18.00	21.00
10	9.00	12.00	20	19.00	22.00
11	10.00	13.00			

G

G

RoHS compliant

Unit:mm

Scale	Free
TOLERANCE	
X.	±0.35
X.X	±0.25
X.XX	±0.20
X.XXX	±0.15
DIM	TOL
Angle	TOL

Id.	Modification	Date	Name
①	Updated the dimension and tolerance	16.06.2023	Peter
②	Drawn	29.10.2021	Daniel

Drawn	Date	Name
	29.10.2021	Daniel
Approved	16.06.2023	Peter

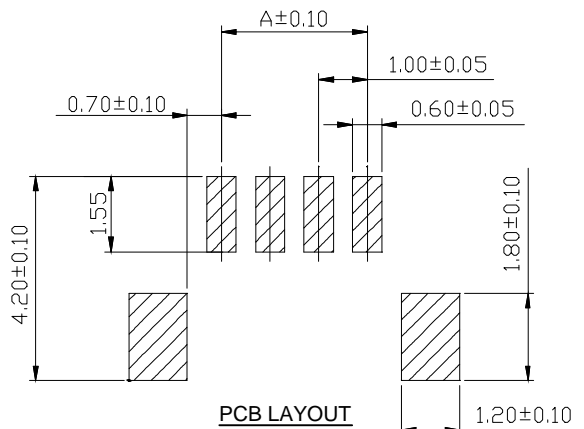
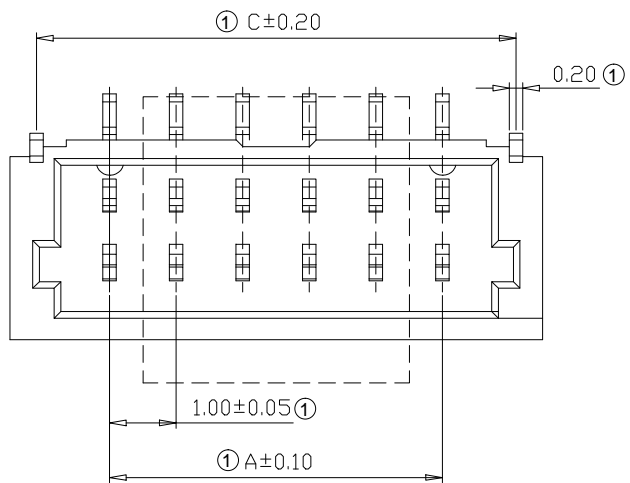


Description: Wire-to-board con. Male Pitch 1.0mm / 90° angled / SMT	
ASSMANN WSWW-No. A-WBP-B001EA-xxSR01	
Drawing-No. ASS 9061 CO	rev01
Customer-No.	SHEET 1 / 4

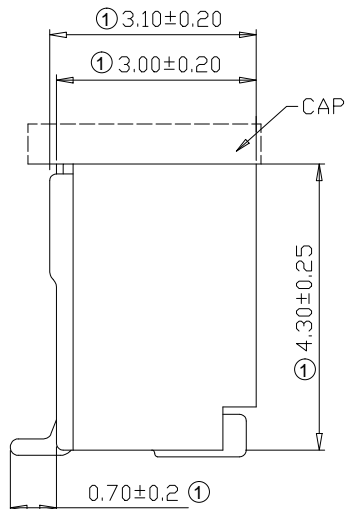
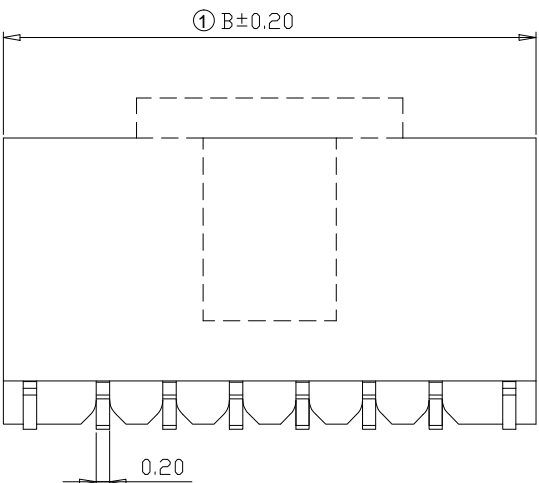
H

H

1 2 3 4 5 6 7



Notes:
 ① Insulator Material: LCP, UL94v-0, Ivory
 Pin Material: Phosphor Bronze, Tin Plated
 Voltage Rating: 50V AC,DC;
 Current Rating: 1A AC,DC;
 Withstanding Voltage: 500V AC/minute;
 Insulation Resistance: 100MΩ Min;
 Operation Temperature: -40°C to +105°C;
 Packing: Reel;



No. of Contact	DIM A	DIM B	DIM C ①	No. of Contact	DIM A	DIM B	DIM C ①
2	1.00	4.00	3.20	12	11.00	14.00	13.20
3	2.00	5.00	4.20	13	12.00	15.00	14.20
4	3.00	6.00	5.20	14	13.00	16.00	15.20
5	4.00	7.00	6.20	15	14.00	17.00	16.20
6	5.00	8.00	7.20	16	15.00	18.00	17.20
7	6.00	9.00	8.20	17	16.00	19.00	18.20
8	7.00	10.00	9.20	18	17.00	20.00	19.20
9	8.00	11.00	10.20	19	18.00	21.00	20.20
10	9.00	12.00	11.20	20	19.00	22.00	21.20
11	10.00	13.00	12.20				

RoHS compliant

Unit:mm

Scale	Free
TOLERANCE	
X.	±0.35
X.X	±0.25
X.XX	±0.20
X.XXX	±0.15
DIM	TOL
Angle	TOL

Id.	Modification	Date	Name
①	Updated the dimension and tolerance	16.06.2023	Peter
②	Drawn	29.10.2021	Daniel

Date	Name	Description: Wire-to-board con. Male Pitch 1.0mm / 180° Straight / SMT
Drawn	29.10.2021	
Approved	16.06.2023	Peter
ASSMANN WSW-No. A-WBP-B001EG-xxSR01		
Drawing-No. ASS 9061 CO		rev01
Customer-No.		SHEET 2 / 4



1

2

3

4

5

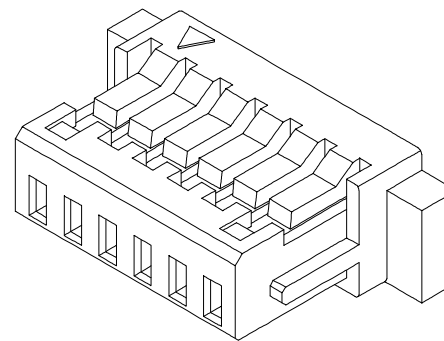
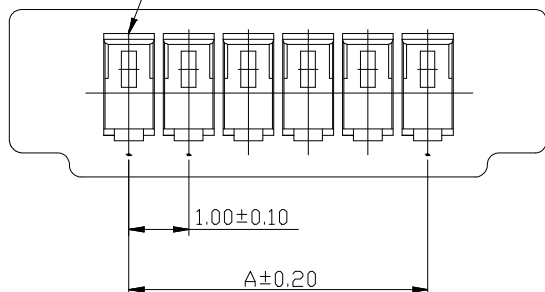
6

7

A

A

Circuit 1



Notes:
 Insulator Material: PBT, UL94V-0, White
 Voltage Rating: 50V AC,DC;
 Current Rating: 1A AC,DC;
 Withstanding Voltage: 500V AC/minute;
 Insulation Resistance: 100MΩ Min;
 Operation Temperature: -40°C to +105°C;
 Packing: Bag

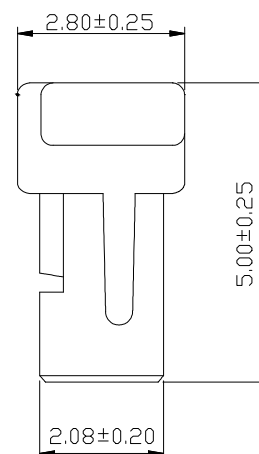
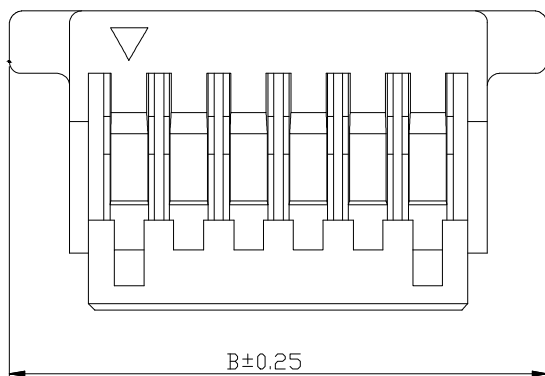
B

C

B

D

D



No. of Contact	DIM A	DIM B	No. of Contact	DIM A	DIM B
2	1.00	5.00	12	11.00	15.00
3	2.00	6.00	13	12.00	16.00
4	3.00	7.00	14	13.00	17.00
5	4.00	8.00	15	14.00	18.00
6	5.00	9.00	16	15.00	19.00
7	6.00	10.00	17	16.00	20.00
8	7.00	11.00	18	17.00	21.00
9	8.00	12.00	19	18.00	22.00
10	9.00	13.00	20	19.00	23.00
11	10.00	14.00			

E

F

E

F

G

G

RoHS compliant

Unit:mm

Scale Free

TOLERANCE

X. ±0.35

X.X ±0.25

X.XX ±0.20

X.XXX ±0.15

DIM TOL

Angle TOL

①

Updated the dimension

16.06.2023

Peter

②

Drawn

29.10.2021

Daniel

Id.

Modification

Date

Name

Date

Name

Description: Wire-to-board con.
Housing
Pitch 1.0mm

Drawn

29.10.2021

Daniel

Approved

16.06.2023

Peter

ASSMANN WSW-No.

A-WBH-B001EG-xxCB01

Drawing-No.

ASS 9061 CO

rev01

Customer-No.

SHEET
3 / 4

H

1

2

3

4

5

6

7

1

2

3

4

5

6

7

A

A

B

B

C

C

D

D

E

E

F

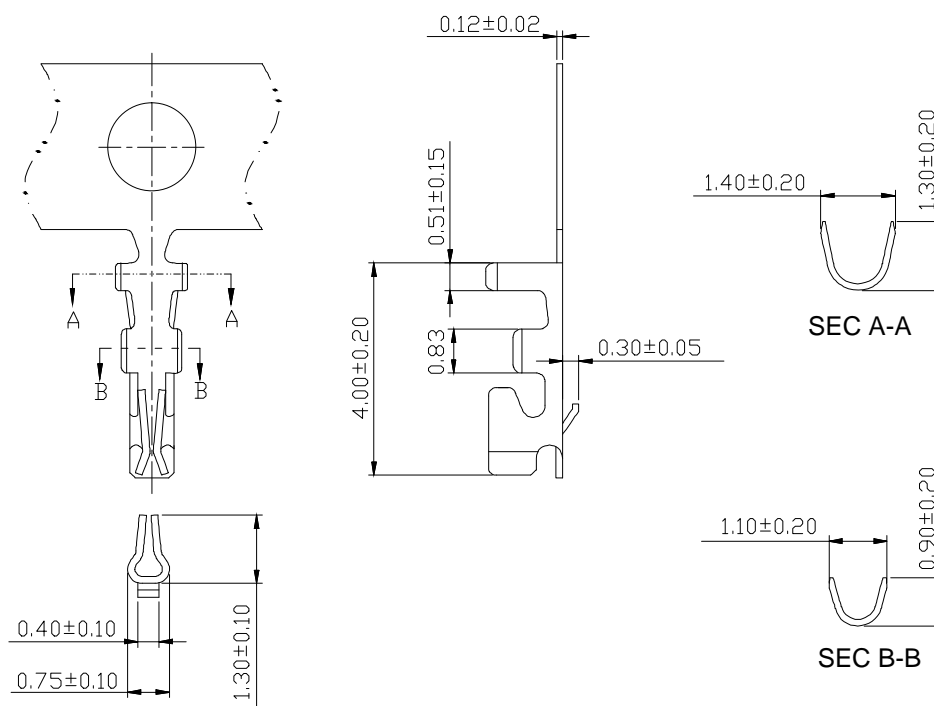
F

G

G

H

H



Notes:

Material:	Phosphor Bronze;
Finish:	Tin Plated;
Voltage Rating:	50V AC,DC;
Current Rating:	1A AC,DC;
Withstanding Voltage:	500V AC/minute;
Insulation Resistance:	100MΩ Min;
Contact Resistance:	20mΩ Max;
Operation Temperature:	-40°C to +105°C;
Packing:	Reel;
Applicable wire:	AWG#28-#32
	Insulator OD 0.8mm max

RoHS compliant

Unit:mm

Scale Free

TOLERANCE

X. ±0.35

X.X ±0.25

X.XX ±0.20

X.XXX ±0.15

DIM TOL

Angle TOL

Id.

Modification

Date

Name

Date

Name

Date

Name

Date

Name

Date

Name

Description: Wire-to-board con.
Terminal
Female

Drawn

29.10.2021

Daniel

Approved

16.06.2023

Peter

ASSMANN WSW-No.

A-WBT-B001EG-01CR01

Drawing-No.

ASS 9061 CO

rev01

Customer-No.

SHEET
4 / 4

1

2

3

4

5

6

7