



1

2

3

4

5

6

7

A

A

B

B

C

C

D

D

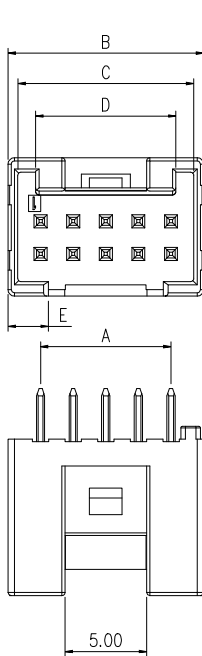
E

E

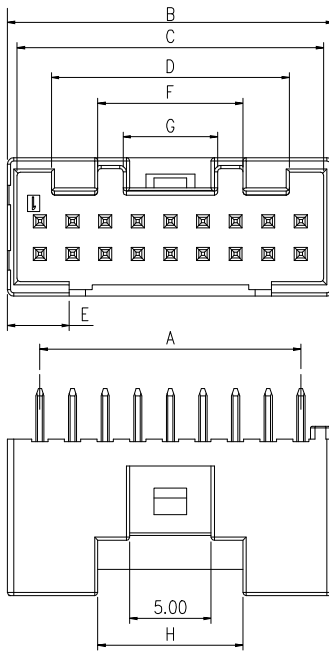
F

F

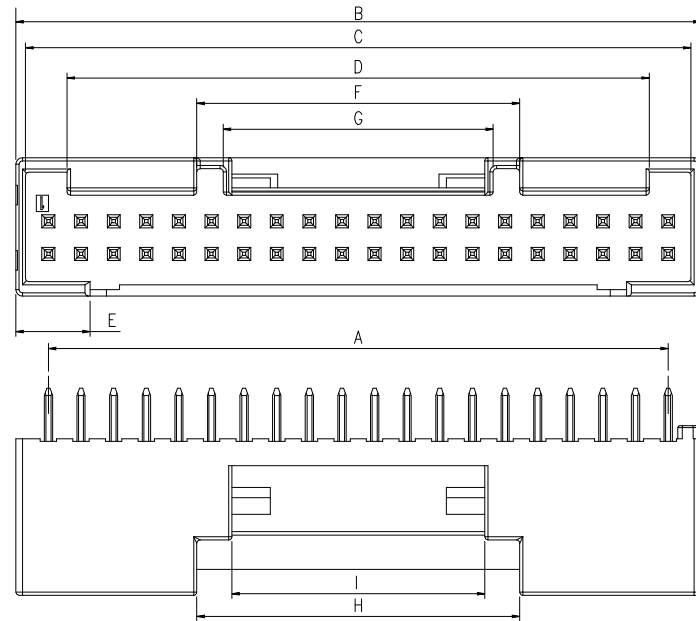
|      |       |       |
|------|-------|-------|
| 2X20 | 38.00 | 42.00 |
| 2X19 | 36.00 | 40.00 |
| 2X18 | 34.00 | 38.00 |
| 2X17 | 32.00 | 36.00 |
| 2X16 | 30.00 | 34.00 |
| 2X15 | 28.00 | 32.00 |
| 2X14 | 26.00 | 30.00 |
| 2X13 | 24.00 | 28.00 |
| 2X12 | 22.00 | 26.00 |
| 2X11 | 20.00 | 24.00 |
| 2X10 | 18.00 | 22.00 |
| 2X9  | 16.00 | 20.00 |
| 2X8  | 14.00 | 18.00 |
| 2X7  | 12.00 | 16.00 |
| 2X6  | 10.00 | 14.00 |
| 2X5  | 8.00  | 12.00 |
| 2X4  | 6.00  | 10.00 |
| CKTS | A     | B     |



| 8,10 circuits |       |      |      |
|---------------|-------|------|------|
| CKTS          | C     | D    | E    |
| 08            | 8.80  | 6.60 | 2.53 |
| 10            | 10.80 | 8.60 | 2.48 |



| 12 to 18 circuits |       |       |      |      |      |      |
|-------------------|-------|-------|------|------|------|------|
| CKTS              | C     | D     | E    | F    | G    | H    |
| 12                | 12.80 | 8.60  | 2.80 | /    | /    | 7.20 |
| 14                | 14.80 | 10.60 | 2.80 | /    | /    | 7.20 |
| 16                | 16.80 | 12.60 | 3.80 | 8.90 | 5.80 | 8.90 |
| 18                | 18.80 | 14.60 | 3.80 | 8.90 | 5.80 | 8.90 |



| 20 to 40 circuits |       |       |      |       |       |       |       |
|-------------------|-------|-------|------|-------|-------|-------|-------|
| CKTS              | C     | D     | E    | F     | G     | H     | I     |
| 20                | 20.80 | 16.60 | 2.85 | 14.20 | 12.20 | 14.20 | 11.40 |
| 22                | 22.80 | 18.60 | 2.85 | 14.20 | 12.20 | 14.20 | 11.40 |
| 24                | 24.80 | 20.60 | 3.80 | 15.45 | 12.20 | 15.45 | 11.40 |
| 26                | 26.80 | 21.70 | 3.85 | 15.45 | 12.20 | 15.45 | 11.40 |
| 28                | 28.80 | 23.70 | 3.85 | 15.45 | 12.20 | 15.45 | 11.40 |
| 30                | 30.80 | 25.70 | 4.55 | 19.80 | 16.55 | 19.80 | 15.50 |
| 32                | 32.80 | 27.70 | 4.55 | 19.80 | 16.55 | 19.80 | 15.50 |
| 34                | 34.80 | 29.70 | 4.55 | 19.80 | 16.55 | 19.80 | 15.50 |
| 36                | 36.80 | 31.70 | 4.55 | 19.80 | 16.55 | 19.80 | 15.50 |
| 38                | 38.80 | 33.70 | 4.55 | 19.80 | 16.55 | 19.80 | 15.50 |
| 40                | 40.80 | 35.70 | 4.55 | 19.80 | 16.55 | 19.80 | 15.50 |

**RoHS compliant**  
Unit: mm

|           |       |
|-----------|-------|
| Scale     | Free  |
| TOLERANCE |       |
| 0~10      | ±0.20 |
| 10~30     | ±0.30 |
| Over 30   | ±0.40 |
| DIM       | TOL   |
| Angle     | ±3°   |

|     |                        |            |       |
|-----|------------------------|------------|-------|
| ①   | Update the housing P/N | 11.03.2022 | Segal |
| ②   | Drawn                  | 25.11.2021 | Segal |
| ld. | Modification           | Date       | Name  |

|                                  |            |       |
|----------------------------------|------------|-------|
| Drawn                            | Date       | Name  |
| Approved                         | 11.03.2022 | Segal |
| <b>ASSMANN</b><br>WSW components |            |       |

|  |           |
|--|-----------|
| Description: Wire to board 2.0mm pitch 180°wafer |           |
| ASSMANN WSW-No. A-WBP-K006DG-xxTT01              |           |
| Drawing-No.                                      | rev01     |
| Replace  | Sheet 2/9 |

1

2

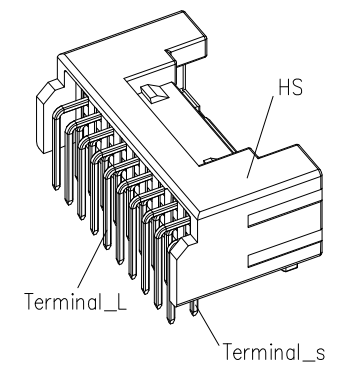
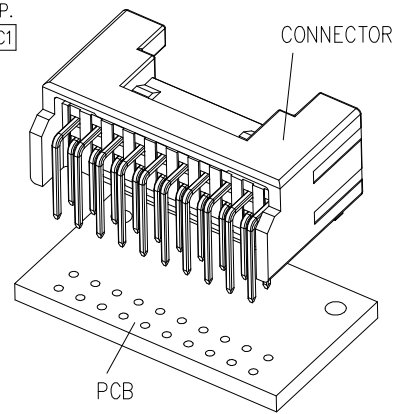
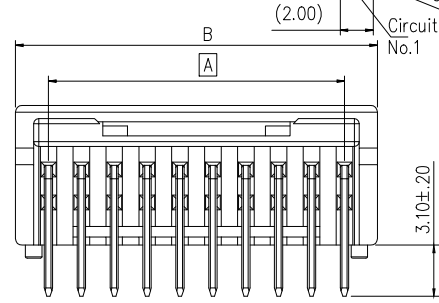
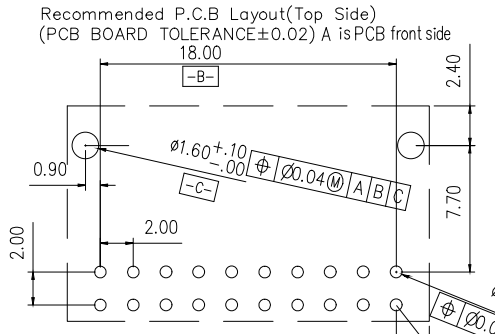
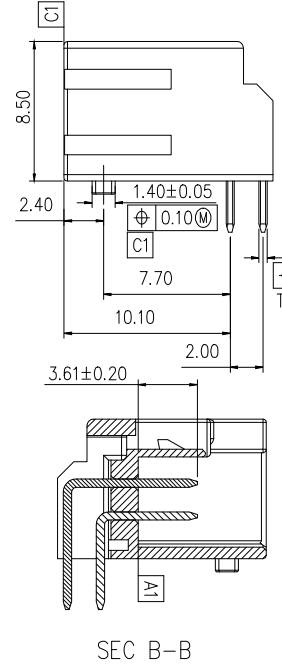
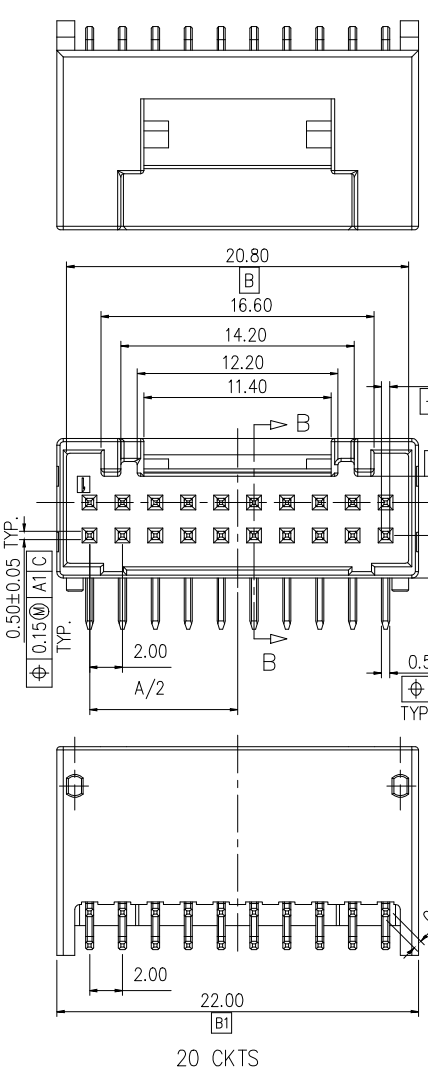
3

4

5

6

7



**NOTES:**

1. Insulator Material: PA66, UL94V-0, Natural;
2. Contact Pin: Copper Alloy;
3. Contact Pin Plating: 80u" Tin plated over 50u" Nickel under plating overall;
4. Current Rating: 3.0A;
5. Voltage Rating: 250V AC;
6. Contact Resistance: 20mΩ Max;
7. Withstand Voltage: 800V AC;
8. Insulation Resistance: 1000MΩ Min;
9. Operating Temperature: -25°C to +85°C;
10. Retention force: 1Kgf Min;
11. Recommended Process: Wave soldering, Peak Temperature 260±5°C, 5s.

**RoHS compliant**  
Unit: mm

|   |           |       |     |                        |            |          |            |       |  |           |
|---|-----------|-------|-----|------------------------|------------|----------|------------|-------|--|-----------|
| G | Scale     | Free  |     |                        |            |          | Date       | Name  | Description: Wire to board 2.0mm pitch 90° wafer |           |
|   | TOLERANCE |       |     |                        |            | Drawn    | 25.11.2021 | Segal |  |           |
|   | 0~10      | ±0.20 |     |                        |            | Approved | 11.03.2022 | Segal | ASSMANN WSW-No. A-WBP-K006DA-xxTT01              |           |
|   | 10~30     | ±0.30 |     |                        |            |          |            |       |  |           |
| H | Over 30   | ±0.40 |     |                        |            |          |            |       | Drawing-No.                                      |           |
|   | DIM       | TOL   | ①   | Update the housing P/N | 11.03.2022 | Segal    |            |       | ASS 9089 CO                                      | rev01     |
|   |           |       | ②   | Drawn                  | 25.11.2021 | Segal    |            |       | Replace  | Sheet 3/9 |
|   | Angle     | ±3°   | Id. | Modification           | Date       | Name     |            |       |  |           |

1

2

3

4

5

6

7

A

A

B

B

C

C

D

D

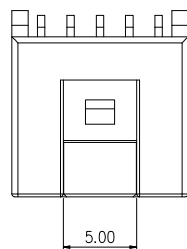
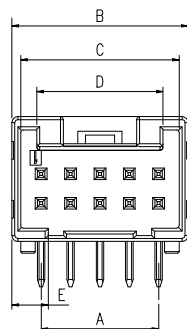
E

E

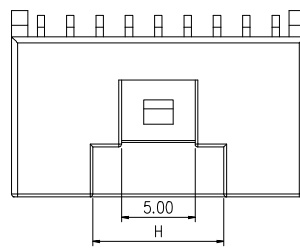
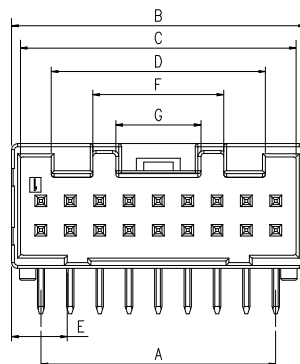
F

F

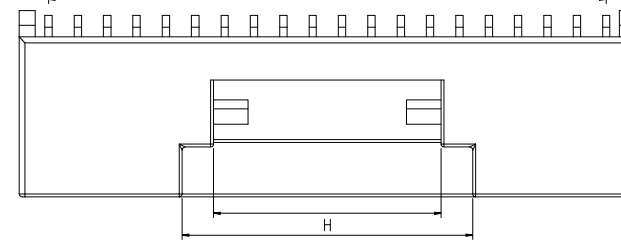
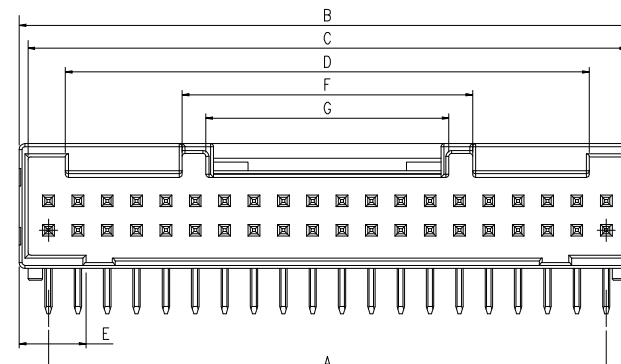
|      |       |       |
|------|-------|-------|
| 2X20 | 38.00 | 42.00 |
| 2X19 | 36.00 | 40.00 |
| 2X18 | 34.00 | 38.00 |
| 2X17 | 32.00 | 36.00 |
| 2X16 | 30.00 | 34.00 |
| 2X15 | 28.00 | 32.00 |
| 2X14 | 26.00 | 30.00 |
| 2X13 | 24.00 | 28.00 |
| 2X12 | 22.00 | 26.00 |
| 2X11 | 20.00 | 24.00 |
| 2X10 | 18.00 | 22.00 |
| 2X9  | 16.00 | 20.00 |
| 2X8  | 14.00 | 18.00 |
| 2X7  | 12.00 | 16.00 |
| 2X6  | 10.00 | 14.00 |
| 2X5  | 8.00  | 12.00 |
| 2X4  | 6.00  | 10.00 |
| CKTS | A     | B     |



| 8,10 circuits |       |      |      |
|---------------|-------|------|------|
| CKTS          | C     | D    | E    |
| 08            | 8.80  | 6.60 | 2.53 |
| 10            | 10.80 | 8.60 | 2.48 |



| 12 to 18 circuits |       |       |      |      |      |      |
|-------------------|-------|-------|------|------|------|------|
| CKTS              | C     | D     | E    | F    | G    | H    |
| 12                | 12.80 | 8.60  | 2.80 | /    | /    | 7.20 |
| 14                | 14.80 | 10.60 | 2.80 | /    | /    | 7.20 |
| 16                | 16.80 | 12.60 | 3.80 | 8.90 | 5.80 | 8.90 |
| 18                | 18.80 | 14.60 | 3.80 | 8.90 | 5.80 | 8.90 |



| 20 to 40 circuits |       |       |      |       |       |       |       |
|-------------------|-------|-------|------|-------|-------|-------|-------|
| CKTS              | C     | D     | E    | F     | G     | H     | I     |
| 20                | 20.80 | 16.60 | 2.85 | 14.20 | 12.20 | 14.20 | 11.40 |
| 22                | 22.80 | 18.60 | 2.85 | 14.20 | 12.20 | 14.20 | 11.40 |
| 24                | 24.80 | 20.60 | 3.80 | 15.45 | 12.20 | 15.45 | 11.40 |
| 26                | 26.80 | 21.70 | 3.85 | 15.45 | 12.20 | 15.45 | 11.40 |
| 28                | 28.80 | 23.70 | 3.85 | 15.45 | 12.20 | 15.45 | 11.40 |
| 30                | 30.80 | 25.70 | 4.55 | 19.80 | 16.55 | 19.80 | 15.50 |
| 32                | 32.80 | 27.70 | 4.55 | 19.80 | 16.55 | 19.80 | 15.50 |
| 34                | 34.80 | 29.70 | 4.55 | 19.80 | 16.55 | 19.80 | 15.50 |
| 36                | 36.80 | 31.70 | 4.55 | 19.80 | 16.55 | 19.80 | 15.50 |
| 38                | 38.80 | 33.70 | 4.55 | 19.80 | 16.55 | 19.80 | 15.50 |
| 40                | 40.80 | 35.70 | 4.55 | 19.80 | 16.55 | 19.80 | 15.50 |

B

C

D

E

F

**RoHS compliant**  
Unit: mm

Scale Free

TOLERANCE

0~10 ±0.20

10~30 ±0.30

Over 30 ±0.40

DIM TOL

Angle ±3°

①

Update the housing P/N

11.03.2022

Segal

②

Drawn

25.11.2021

Segal

Id.

Modification

Date

Name

Date

Name

Description: Wire to board 2.0mm pitch  
90°wafer

Drawn

25.11.2021

Segal

Approved

11.03.2022

Segal

ASSMANN WSW-No.  
A-WBP-K006DA-xxTT01

Drawing-No.

ASS 9089 CO

rev01

Replace

Sheet  
4/9

G

H

1

2

3

4

5

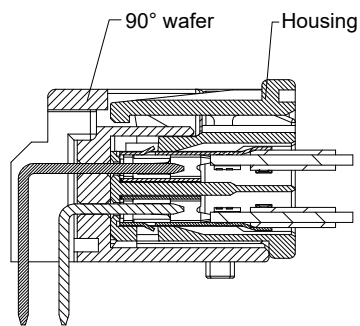
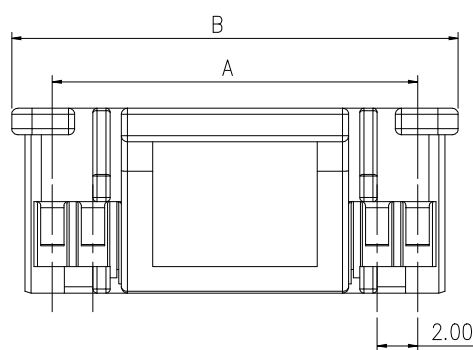
6

7

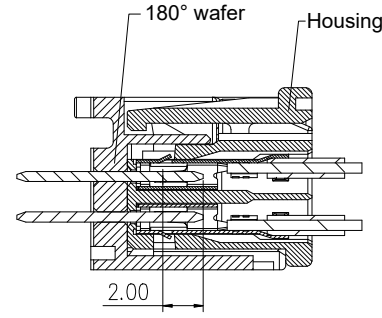
SV5139

1 2 3 4 5 6 7

A



Mating drawing



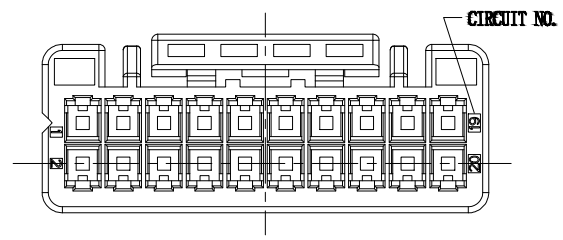
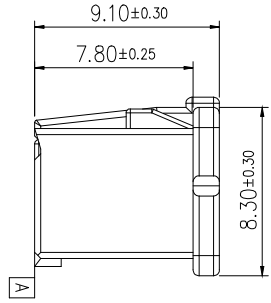
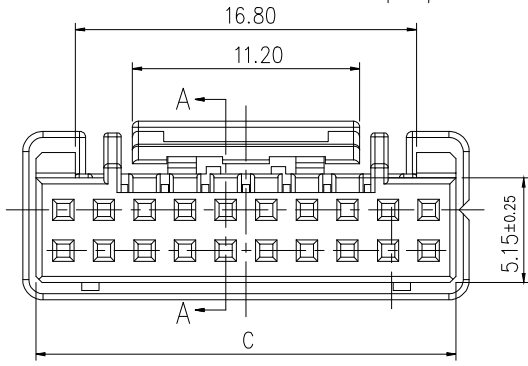
Mating drawing

NOTES:

- 1. Insulator Material: PA66, UL94V-0, Natural;
- 2. Current Rating: 3.0A;
- 3. Voltage Rating: 250V AC;
- 4. Contact Resistance: 20mΩ Max;
- 5. Withstand Voltage: 800V AC;
- 6. Insulation Resistance: 1000MΩ Min;
- 7. Operating Temperature: -25°C to +85°C;
- 8. Retention force: 1Kgf Min.

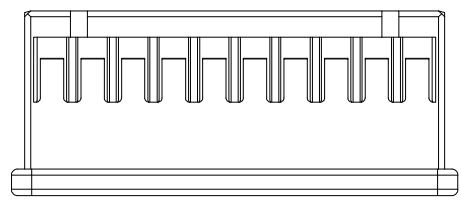
B

C

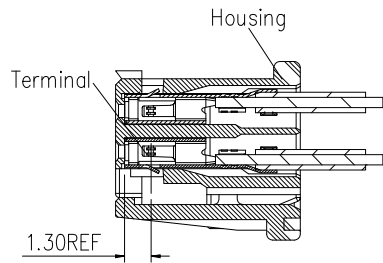


D

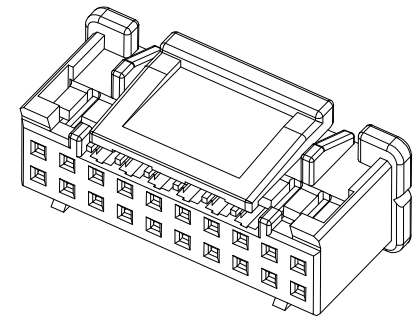
E



20 CKTS



SEC A-A  
Assemble the terminal



F

G

**RoHS compliant**  
Unit: mm

|           |       |
|-----------|-------|
| Scale     | Free  |
| TOLERANCE |       |
| 0~10      | ±0.20 |
| 10~30     | ±0.30 |
| Over 30   | ±0.40 |
| DIM       | TOL   |
| Angle     | ±3°   |

|     |                        |            |       |
|-----|------------------------|------------|-------|
| ①   | Update the housing P/N | 11.03.2022 | Segal |
| ②   | Drawn                  | 25.11.2021 | Segal |
| Id. | Modification           | Date       | Name  |



|  |             |
|--|-------------|
| Description: Wire to board 2.0mm pitch Housing |             |
| ASSMANN WSW-No. A-WBH-K006DG-xxCB01            |             |
| Drawing-No.                                    | ASS 9089 CO |
| Replace  | rev01       |
| Sheet  | 5/9         |

H

1 2 3 4 5 6 7

A

B

C

D

E

F

G

H

1

2

3

4

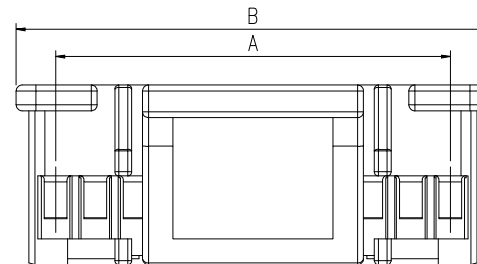
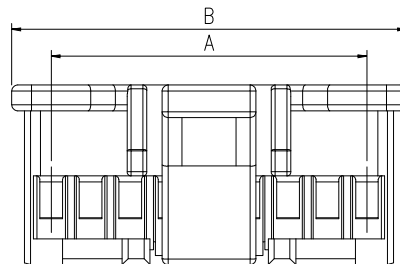
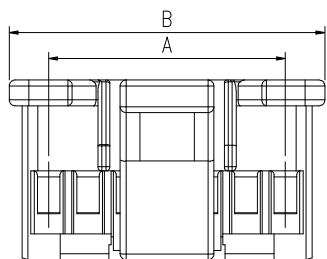
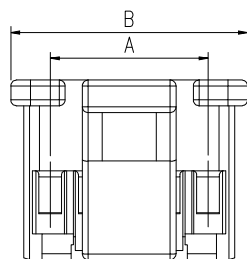
5

6

7

A

A

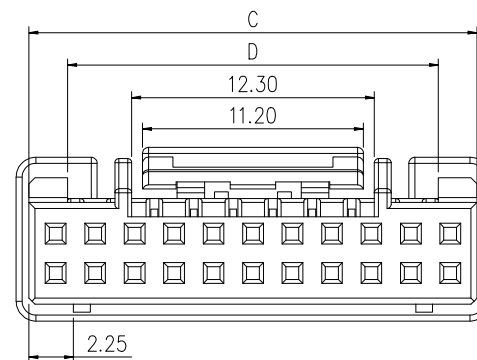
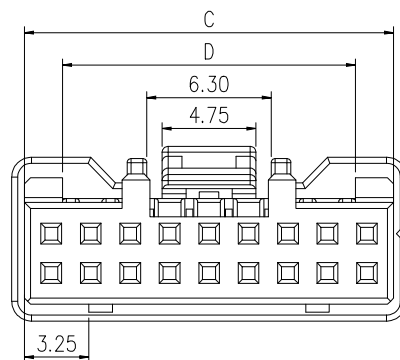
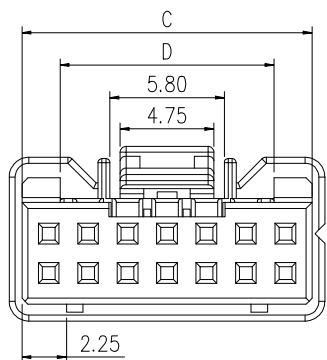
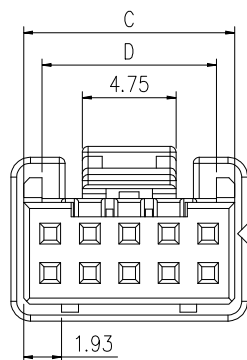


B

B

C

C



D

D

E

E

1.93

2.25

3.25

2.25

F

F

| 8,10 circuits |       |      |
|---------------|-------|------|
| CKTS          | C     | D    |
| 08            | 8.70  | 6.85 |
| 10            | 10.70 | 8.84 |

| 12,14 circuits |       |       |
|----------------|-------|-------|
| CKTS           | C     | D     |
| 12             | 12.70 | 8.84  |
| 14             | 14.70 | 10.84 |

| 16,18 circuits |       |       |
|----------------|-------|-------|
| CKTS           | C     | D     |
| 16             | 16.70 | 12.84 |
| 18             | 18.70 | 14.84 |

| 20,22 circuits |       |       |
|----------------|-------|-------|
| CKTS           | C     | D     |
| 20             | 20.70 | 16.80 |
| 22             | 22.70 | 18.80 |

G

G

**RoHS compliant**  
Unit: mm

Scale Free

TOLERANCE

0~10 ±0.20

10~30 ±0.30

Over 30 ±0.40

DIM TOL

Angle ±3°

①

Update the housing P/N

11.03.2022

Segal

②

Drawn

25.11.2021

Segal

Id.

Modification

Date

Name

Date

Name

Description: Wire to board 2.0mm pitch Housing

Drawn

25.11.2021

Segal

Approved

11.03.2022

Segal

ASSMANN WSW-No.

A-WBH-K006DG-xxCB01

Drawing-No.

ASS 9089 CO

rev01

Replace

Sheet 6/9

H

H

1

2

3

4

5

6

7

SV5139

**ASSMANN**  
WSW components

1

2

3

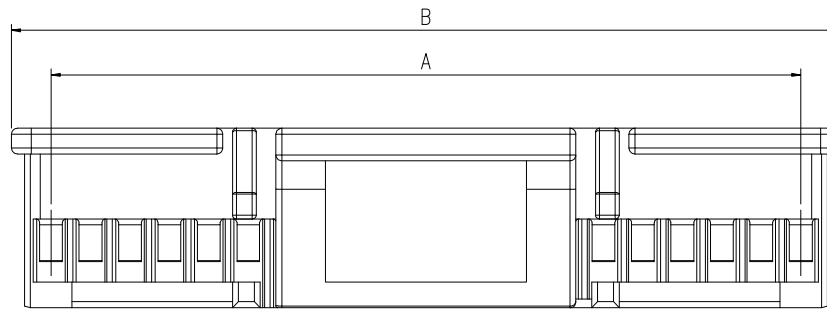
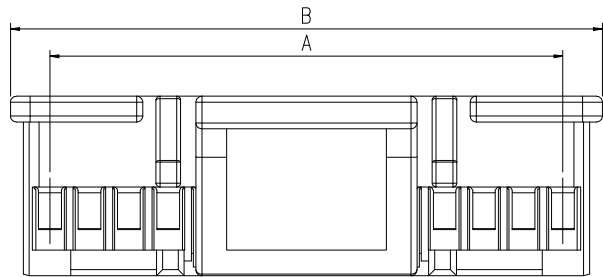
4

5

6

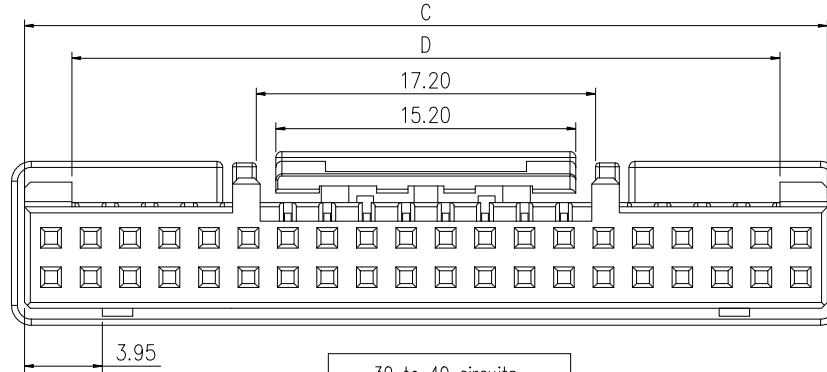
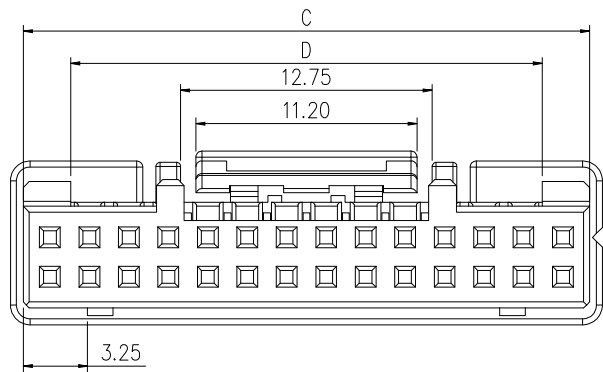
7

A



B

C



D

E

| 24 to 28 circuits |       |       |
|-------------------|-------|-------|
| CKTS              | C     | D     |
| 24                | 24.70 | 20.80 |
| 26                | 26.70 | 21.90 |
| 28                | 28.70 | 23.90 |

| 30 to 40 circuits |       |       |
|-------------------|-------|-------|
| CKTS              | C     | D     |
| 30                | 30.70 | 25.90 |
| 32                | 32.70 | 27.90 |
| 34                | 34.70 | 29.90 |
| 36                | 36.70 | 31.90 |
| 38                | 38.70 | 33.90 |
| 40                | 40.70 | 35.90 |

|      |       |       |
|------|-------|-------|
| 2X20 | 38.00 | 42.00 |
| 2X19 | 36.00 | 40.00 |
| 2X18 | 34.00 | 38.00 |
| 2X17 | 32.00 | 36.00 |
| 2X16 | 30.00 | 34.00 |
| 2X15 | 28.00 | 32.00 |
| 2X14 | 26.00 | 30.00 |
| 2X13 | 24.00 | 28.00 |
| 2X12 | 22.00 | 26.00 |
| 2X11 | 20.00 | 24.00 |
| 2X10 | 18.00 | 22.00 |
| 2X9  | 16.00 | 20.00 |
| 2X8  | 14.00 | 18.00 |
| 2X7  | 12.00 | 16.00 |
| 2X6  | 10.00 | 14.00 |
| 2X5  | 8.00  | 12.00 |
| 2X4  | 6.00  | 10.00 |
| CKTS | A     | B     |

A

B

C

D

E

F

G

RoHS compliant  
Unit: mm

|           |       |
|-----------|-------|
| Scale     | Free  |
| TOLERANCE |       |
| 0~10      | ±0.20 |
| 10~30     | ±0.30 |
| Over 30   | ±0.40 |
| DIM       | TOL   |
| Angle     | ±3°   |

| Id. | Modification           | Date       | Name  |
|-----|------------------------|------------|-------|
| ①   | Update the housing P/N | 11.03.2022 | Segal |
| ②   | Drawn                  | 25.11.2021 | Segal |



| Date       | Name  |
|------------|-------|
| 25.11.2021 | Segal |
| 11.03.2022 | Segal |

|  |           |
|--|-----------|
| Description: Wire to board 2.0mm pitch Housing |           |
| ASSMANN WSW-No. A-WBH-K006DG-xxCB01            |           |
| Drawing-No. ASS 9089 CO                        | rev01     |
| Replace  | Sheet 7/9 |

G

H

1

2

3

4

5

6

7

1

2

3

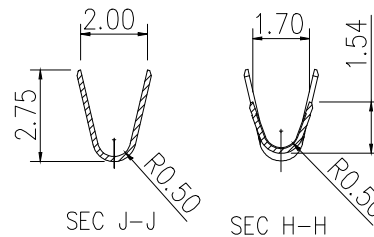
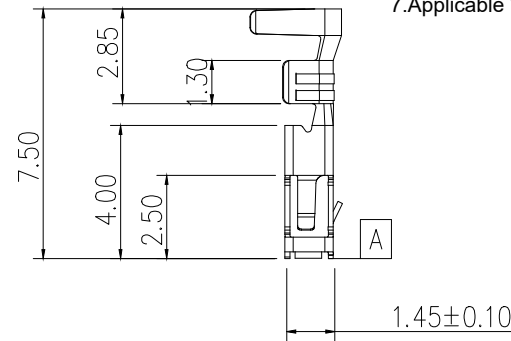
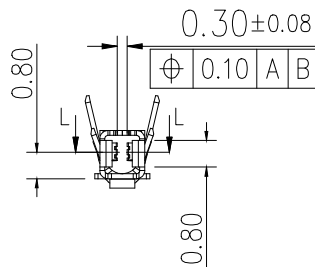
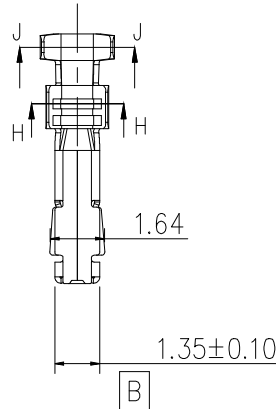
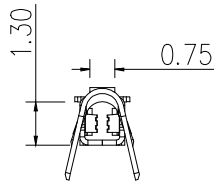
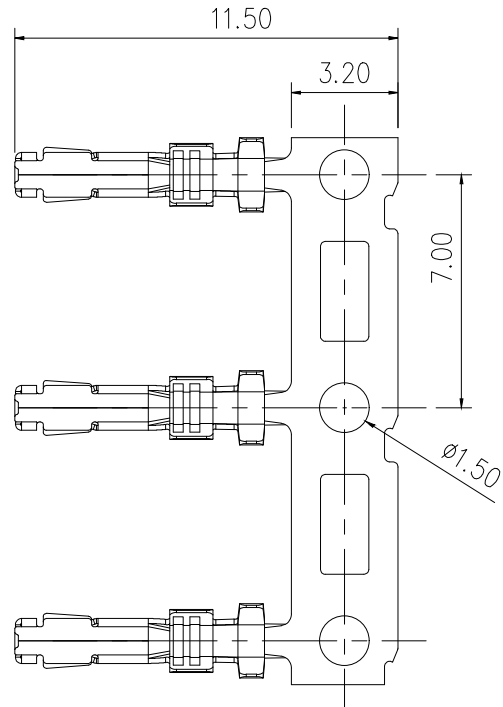
4

5

6

7

A

**NOTES:**

- |                          |   |
|--------------------------|---|
| 1.Contact Material:      | Copper Alloy;   |
| 2.Contact Plating:       | 80u" Tin on solder area<br>50u" Nickel under plating overall; |
| 3.Current Rating:        | 3.0A;   |
| 4.Contact Resistance:    | 20mΩ Max;   |
| 5.Operating Temperature: | -25°C to +85°C;   |
| 6.Retention force:       | 1Kgf Min;   |
| 7.Applicable Wire:       | Conductor Size AWG26 to AWG22<br>Insulation OD 0.95 to 1.5mm. |

A

B

C

D

E

F

G

**RoHS compliant**  
Unit: mm

Scale Free

TOLERANCE

X.X ±0.40

X.XX ±0.25

X.XXX ±0.15

DIM TOL

Angle ±3°

Free

Id.

① Update the housing P/N 11.03.2022 Segal

② Drawn 25.11.2021 Segal

Modification Date Name

Date

25.11.2021

11.03.2022

Name

Segal

Segal

Description: Wire to board 2.0mm pitch Terminal

ASSMANN WSW-No.  
A-WBT-K006EG-01CR01Drawing-No.  
ASS 9089 CO rev01

Replace Sheet 8/9

G

H

1

2

3

4

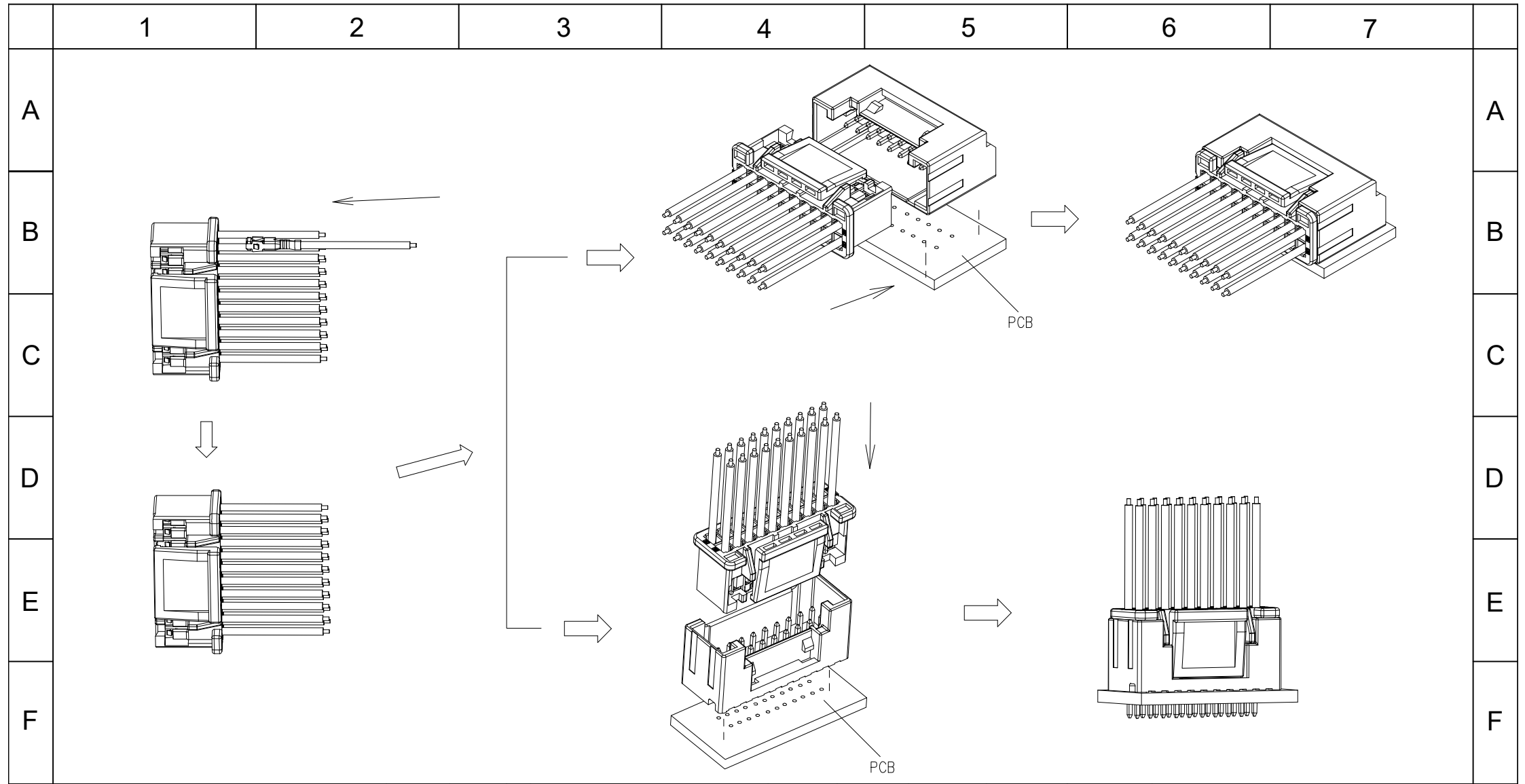
5

6

7

SV5139





|   |                                   |           |       |     |                        |            |          |            |       |   |           |
|---|-----------------------------------|-----------|-------|-----|------------------------|------------|----------|------------|-------|---|-----------|
| G | <b>RoHS compliant</b><br>Unit: mm | Scale     | Free  |     |                        |            |          | Date       | Name  | Description: Wire to board 2.0mm pitch Assembling |           |
|   |                                   | TOLERANCE |       |     |                        |            | Drawn    | 25.11.2021 | Segal |   |           |
|   |                                   | 0~10      | ±0.20 |     |                        |            | Approved | 11.03.2022 | Segal | ASSMANN WSW-No.<br>A-WBx-K006Dx-xxxx01            |           |
|   |                                   | 10~30     | ±0.30 |     |                        |            |          |            |       |   |           |
| H |                                   | DIM       | TOL   | ①   | Update the housing P/N | 11.03.2022 | Segal    |            |       | Drawing-No.<br><b>ASS 9089 CO</b>                 | rev01     |
|   |                                   |           |       | ②   | Drawn                  | 25.11.2021 | Segal    |            |       |   |           |
|   |                                   | Angle     | ±3°   | Id. | Modification           | Date       | Name     |            |       | Replace   | Sheet 9/9 |