

1

2

3

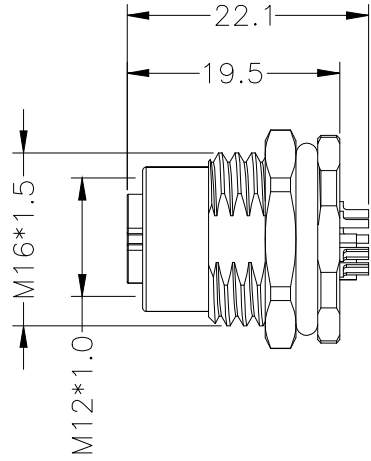
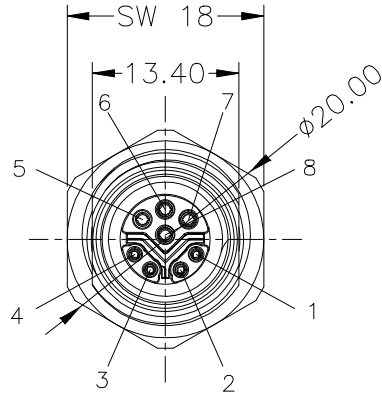
4

5

6

7

A



Explain:

- Electrical characteristics (connector)
  - Rated voltage: AC/DC 60V,
  - Insulation resistance: >100mΩ
  - Rated current: Power: 6A
  - Data: 0.5A
  - Rated surge voltage: 0.8kv
  - Contact resistance of connector : ≤10mΩ
- Mechanical characteristics
  - Mating/cycle >100 cycles
- Environmental characteristics
  - Protection class: IP67 (after correct connection)
  - Operating temperature: -25°C to +85°C
- Other characteristics
  - Shell: nickel plated brass
  - Contact pin: phosphor copper plating gold
  - Insulating plastic: PA66 + GF

A

B

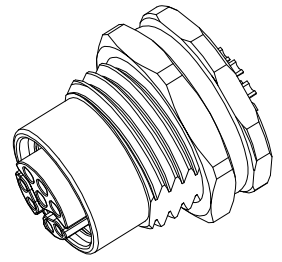
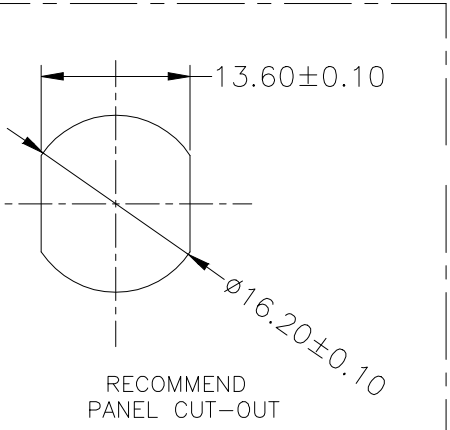
B

C

C

D

D



⑨	BLACK GLUE A/B (ETHOXYLINE RESIN)	1	G
⑧	FEMALE TERMINAL PHOSPHOR BRONZE WITH GOLD PLATED(φ1.0)	4	PCS
⑦	FEMALE TERMINAL PHOSPHOR BRONZE WITH GOLD PLATED(φ0.6)	4	PCS
⑥	M12 Y CODING FEMALE KIRSITE	1	PCS
⑤	M12 Y CODING FEMALE HOUSING PA66+GF	1	PCS
④	M12 Y CODING FEMALE SHELL	1	PCS
③	O-RING FKM φ13.0*2.0mm	1	PCS
②	O-RING FKM φ7.0*1.5mm	1	PCS
①	M16*1.5 BRASS WITH NI PLATED NUT φ20*2.8	1	PCS
ITEM	SPECIFICATION	Q'TY	UNIT

E

F

G

G

RoHS compliant  
unit:mm

Scale	Free
TOLERANCE	
.X	±0.50
.XX	±0.20
DIM	TOL
.X°	±1.0°
X.°	±2.0°
Angle	TOL

						Date	Name	Description: Circular Connector M12 Female Y-Code		
						Drawn	24.11.2021		Luca	
						Approved	24.11.2021	Luca	ASSMANN WSW-NO.	
									A-M12-08-FGMY-GHB1	
							Drawing-No.		ASS 9090 CO	rev00
							Customer-No.			
									SHEET 1 / 1	



H

H

1

2

3

4

5

6

7