

1

2

3

4

5

6

7

A

A

B

B

C

C

D

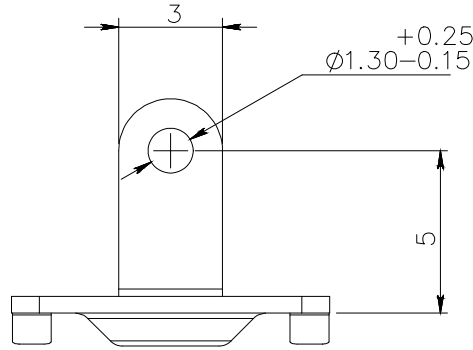
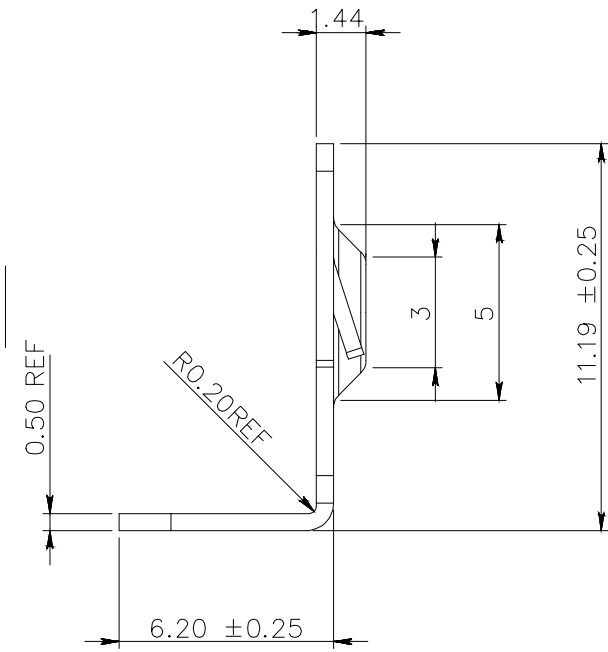
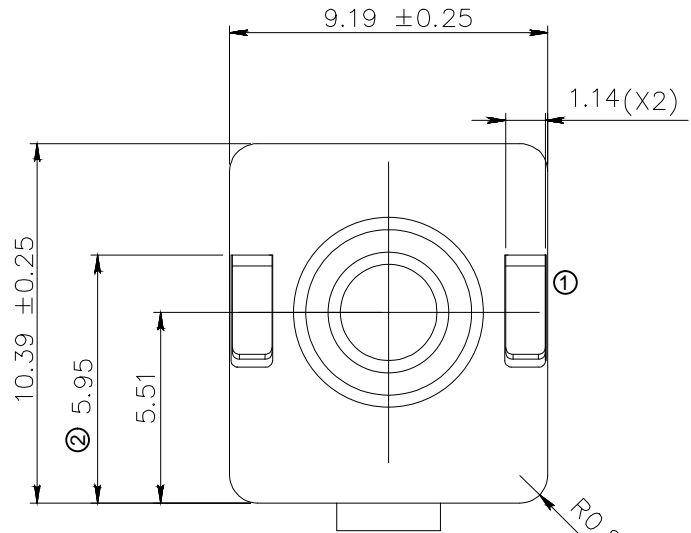
D

E

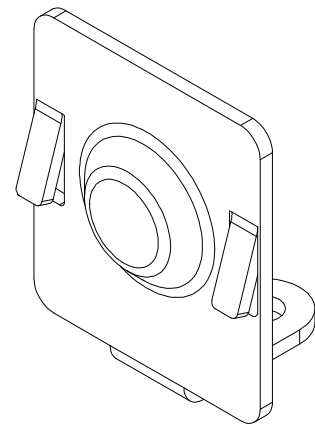
E

F

F



NOTE:
 1.MATERIAL:0.50mm Thickness Steel,Tin over Nickel
 2.Packing:PE Bag



G

G

RoHS compliant
 unit:mm

Scale	Free
TOLERANCE	
X.	±0.35
.X	±0.25
.XX	±0.20
.XXX	±0.15
DIM	TOL
Angle	TOL

						Date	Name	
						Drawn	12.20.2021	Peter
						Approved	05.12.2023	Winnie
②	Update the dimension	05.12.2023	Winnie					
①	Update the shape of tongue	18.07.2022	Daniel					
①	Drawn	12.20.2021	Peter					
Id.	modification	Date	Name					

ASSMANN
 WSW components

Description: Battery Contacts Type: AAA / LR03 Positive Pole	
ASSMANN WSW-NO. A-BAT-BH-B0-EA-ZHB1	
Drawing-No. ASS 9137 CO	rev02
Customer-No.	SHEET 1 / 1

H

H

1

2

3

4

5

6

7