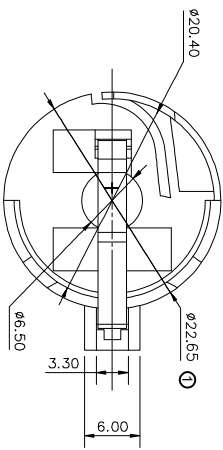
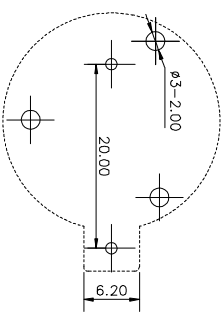
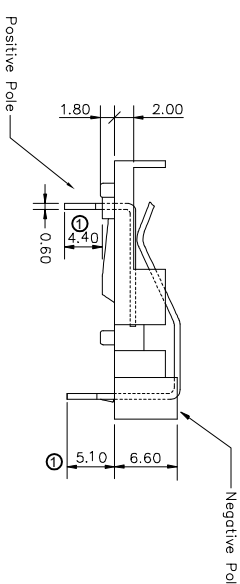
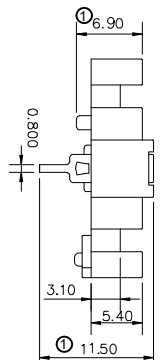
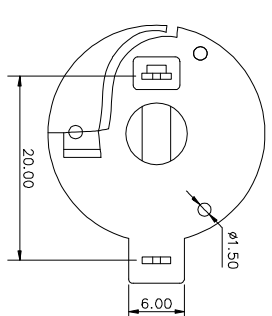


1	2	3	4	5	6	7																					
A	<p>NOTE:</p> <p>1.MATERIAL 1.1 Housing:PA ,UL 94V-0,Black 2.1 Contact: C2680,Au or Tin over Nickel</p> <p>2.ELECTRIC 2.1 Contact Resistance:30 Milliohms Max 2.2 Insulation Resistance:1000 Mega Ohms Min 2.3 Dielectric Voltage:500V AC one Sec Level</p> <p>3.Operating Temperature:-55°C To +105°C 4.Packing:Tray Order Code:A-BAT-CH-C8-EA-xTP7</p> <p>G:Gold Flash Z:Tin</p>																										
B	 																										
C	 																										
D																											
E																											
F																											
G	<p>ROHS compliant unit:mm</p> <table border="1"> <thead> <tr> <th>Scale</th> <th>Free</th> <th>Tolerance</th> </tr> </thead> <tbody> <tr> <td>X.</td> <td>±0.35</td> <td></td> </tr> <tr> <td>.X</td> <td>±0.25</td> <td></td> </tr> <tr> <td>.XX</td> <td>±0.20</td> <td></td> </tr> <tr> <td>.XXX</td> <td>±0.15</td> <td></td> </tr> <tr> <td>DIM</td> <td>TOL</td> <td></td> </tr> <tr> <td>Angle</td> <td>TOL</td> <td></td> </tr> </tbody> </table>						Scale	Free	Tolerance	X.	±0.35		.X	±0.25		.XX	±0.20		.XXX	±0.15		DIM	TOL		Angle	TOL	
Scale	Free	Tolerance																									
X.	±0.35																										
.X	±0.25																										
.XX	±0.20																										
.XXX	±0.15																										
DIM	TOL																										
Angle	TOL																										
H	<table border="1"> <thead> <tr> <th>Id.</th> <th>modification</th> <th>Date</th> <th>Name</th> </tr> </thead> <tbody> <tr> <td>①</td> <td>Update the dimensions</td> <td>12.06.2023</td> <td>Winnie</td> </tr> <tr> <td>②</td> <td>Drawn</td> <td>12.16.2021</td> <td>Peter</td> </tr> </tbody> </table> <p>ASSMANN WSW components A company of BCS</p> <p>Description: Coin Cell Holders CR2032 Type</p> <p>ASSMANN WSW-NO. A-BAT-CH-C8-EA-xTP7</p> <p>Drawing-No. ASS 9150 CO</p> <p>Customer-No.</p> <p>rev01 SHEET 1 / 1</p>						Id.	modification	Date	Name	①	Update the dimensions	12.06.2023	Winnie	②	Drawn	12.16.2021	Peter									
Id.	modification	Date	Name																								
①	Update the dimensions	12.06.2023	Winnie																								
②	Drawn	12.16.2021	Peter																								
1	2	3	4	5	6	7																					
SV50																											