

1

2

3

4

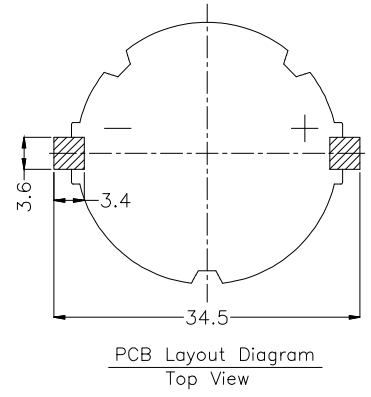
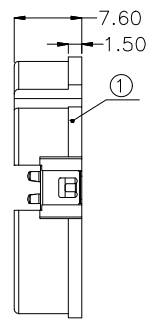
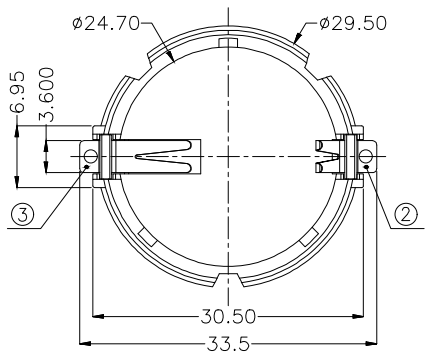
5

6

7

A

A



NOTE:

1.MATERIAL

- ① 1.1 Housing:PBT+GF,UL94V-0,Beige
- 1.2 Contact:Phosphor Bronze,Au or Tin over Nickel

2.ELECTRIC

- 2.1 Contact Resistance:30 Milliohms Max.
- 2.2 Insulation Resistance:1000 Mega Ohms Min.
- 2.3 Dielectric Voltage:500V AC one Sec Level.

3.Operating Temperature:-55°C To +105°C

① 4.Packing:

Battery Socket :200PCS/Tape & Reel,Cover:200PCS/ Bag
Order Code:A-BAT-CH-CB-EG-xSR1

G:Gold Flash
Z:Tin

B

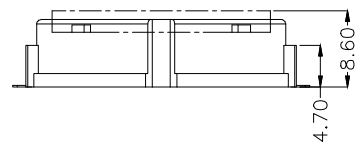
B

C

C

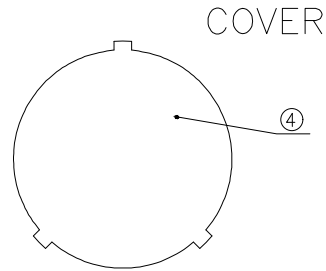
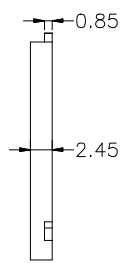
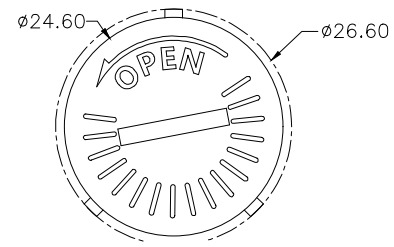
D

D



E

E



F

F

G

G

RoHS compliant
unit:mm

Scale	Free
TOLERANCE	
X.	±0.35
.X	±0.25
.XX	±0.20
.XXX	±0.15
DIM	TOL
Angle	TOL

					Date	Name	Description: Coin Cell Holders CR2450 Type
				Drawn	12.20.2021	Peter	
				Approved	10.12.2022	Peter	ASSMANN WSW-NO.
							A-BAT-CH-CB-EG-xSR1
		①	Correct the insulator color to beige	10.12.2022	Winnie	ASSMANN WSW components	Drawing-No.
		②	Drawn	12.20.2021	Peter		ASS 9170 CO
		Id.	modification	Date	Name		Customer-No.

H

H

rev01
SHEET 1 / 1

1

2

3

4

5

6

7