

1

2

3

4

5

6

7

A

A

B

B

C

C

D

D

E

E

F

F

G

G

H

H

NOTE:

1.MATERIAL

1.1 Insulator:Nylon 66+30%GF,UL94V-0

2.ELECTRIC

2.1 Voltage Rating:300V AC/DC

2.2 Current Rating:2A AC/DC

2.3 Withstanding Voltage:1000V AC/minute

2.4 Insulation Resistance:1000MΩ Min

2.5 Contact Resistance:20mΩ Max

3.Temperature Range:-25°C To +85°C

4.Applicable Wire:AWG#22-#28

5.Packing:PE bag

Poles	Part No.	Dimensions (mm)			
		A	B	C	D
05	A-WBH-K003DG-10CB01	12	8	10.6	5.1
06	A-WBH-K003DG-12CB01	14	10	12.6	6.8
07	A-WBH-K003DG-14CB01	16	12	14.6	6.8
08	A-WBH-K003DG-16CB01	18	14	16.6	6.8
09	A-WBH-K003DG-18CB01	20	16	18.6	6.8
10	A-WBH-K003DG-20CB01	22	18	20.6	6.8
11	A-WBH-K003DG-22CB01	24	20	22.6	6.8
12	A-WBH-K003DG-24CB01	26	22	24.6	6.8
13	A-WBH-K003DG-26CB01	28	24	26.6	6.8
14	A-WBH-K003DG-28CB01	30	26	28.6	6.8
15	A-WBH-K003DG-30CB01	32	28	30.6	6.8
16	A-WBH-K003DG-32CB01	34	30	32.6	6.8
17	A-WBH-K003DG-34CB01	36	32	34.6	6.8
18	A-WBH-K003DG-36CB01	38	34	36.6	6.8
19	A-WBH-K003DG-38CB01	40	36	38.6	6.8
20	A-WBH-K003DG-40CB01	42	38	40.6	6.8

RoHS compliant

unit:mm

Scale Free

TOLERANCE

X. ±0.35

X.X ±0.25

X.XX ±0.20

X.XXX ±0.15

DIM TOL

Angle TOL

①

Drawn

modification

12.27.2021

Date

Peter

Name

Date

Name

Drawn

12.27.2021

Peter

Approved

12.27.2021

Peter

Description: Wire to Board Housing
Pitch 2.00mm

ASSMANN WSW-NO.

A-WBH-K003DG-xxCB01

Drawing-No.

ASS 9184 CO

rev00

Customer-No.

SHEET
1 / 2

1

2

3

4

5

6

7

SV4422

1

2

3

4

5

6

7

A

B

C

D

E

F

A

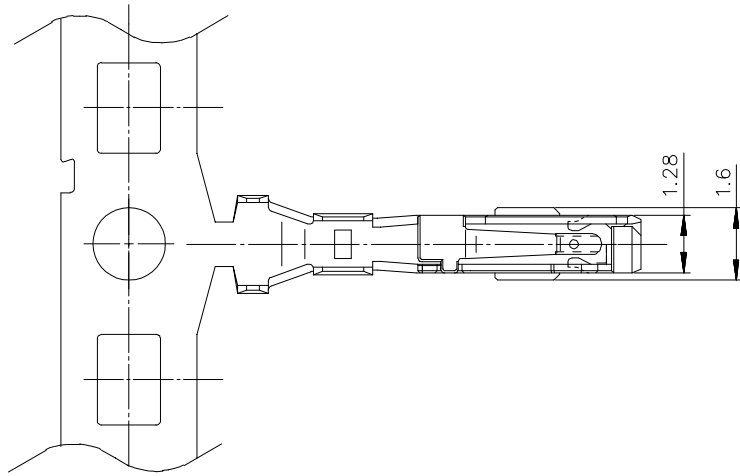
B

C

D

E

F



NOTE:

1.MATERIAL

1.1 Contact:Copper Alloy,Tin over Nickel

2.ELECTRIC

2.1 Voltage Rating:300V AC/DC

2.2 Current Rating:2A AC/DC

2.3 Withstanding Voltage:1000V AC/minute

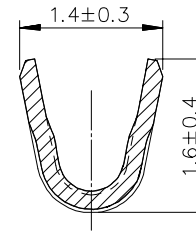
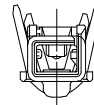
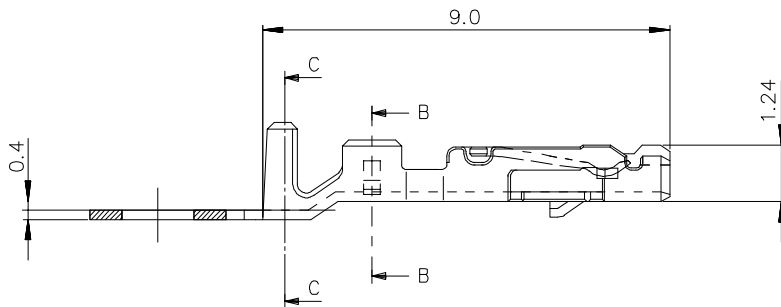
2.4 Insulation Resistance:1000MQ Min.

2.5 Contact Resistance:20mΩ Max

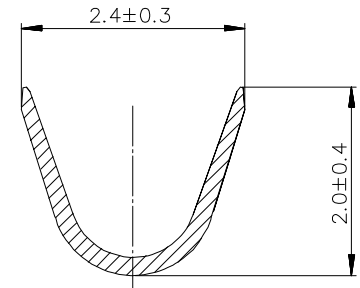
3.Temperature Range:-25°C To +85°C

4.Applicable Wire:AWG#22-#26

5.Packing:Reel



SECTION B-B



SECTION C-C

G

H

RoHS compliant

unit:mm

Scale Free

TOLERANCE

X. ±0.35

X.X ±0.25

X.XX ±0.20

X.XXX ±0.15

DIM TOL

Angle TOL

Ⓢ

Drawn

Id.

modification

12.27.2021

Date

Peter

Name

Drawn

Approved

12.27.2021

12.27.2021

Peter

Peter

Date

Name

Date

Name

Peter

Peter

12.27.2021

Peter

Date

Name

Description: Wire to Board Terminal
Pitch 2.00mm

ASSMANN WSW-NO.

A-WBT-K003DG-01CR01

Drawing-No.

ASS 9184 CO

Customer-No.

rev00

SHEET
2 / 2



1

2

3

4

5

6

7