

1

2

3

4

5

6

7

A

B

C

D

E

F

A

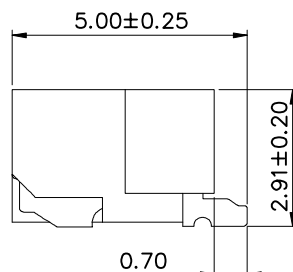
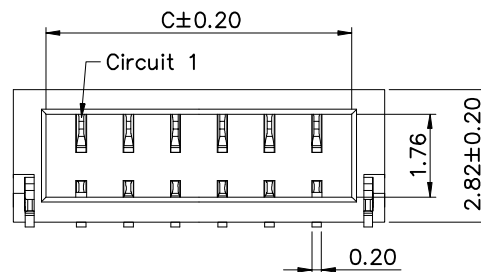
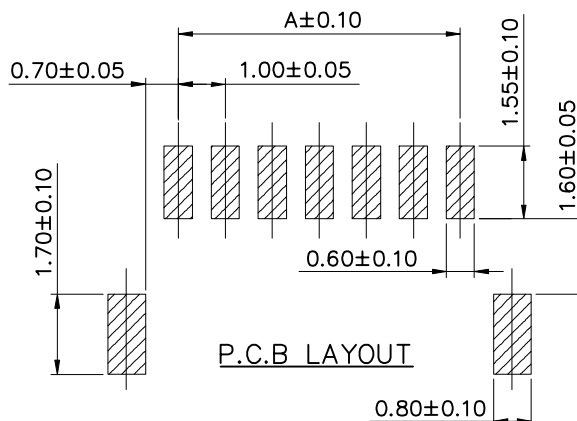
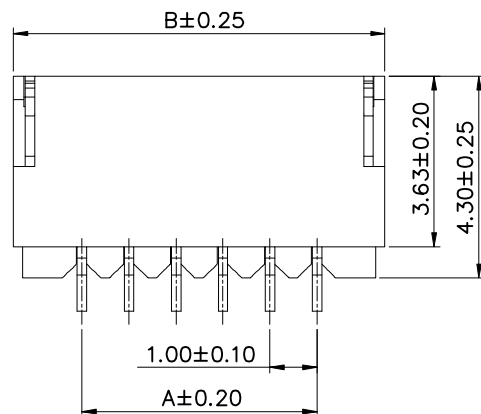
B

C

D

E

F

**NOTE:****1.MATERIAL**

- 1.1 Insulator:Nylon 9T,UL94V-0,Ivory
- 1.2 Contact:Brass,Tin over Nickel
- 1.3 Solder Tabs:Brass,Tin over Nickel

2.ELECTRIC

- 2.1 Voltage Rating:50V AC/DC
- 2.2 Current Rating:1A AC/DC
- 2.3 Withstanding Voltage:500V AC/minute
- 2.4 Insulation Resistance:100MΩ Min

3.Temperature Range:-40°C To +105°C**4.Packing:Tape&Reel**

Poles	Part No.	Dimmensions (mm)		
		A	B	C
02	A-WBP-B002EA-02SR01	1.00	3.90	2.50
03	A-WBP-B002EA-03SR01	2.00	4.90	3.50
04	A-WBP-B002EA-04SR01	3.00	5.90	4.50
05	A-WBP-B002EA-05SR01	4.00	6.90	5.50
06	A-WBP-B002EA-06SR01	5.00	7.90	6.50
07	A-WBP-B002EA-07SR01	6.00	8.90	7.50
08	A-WBP-B002EA-08SR01	7.00	9.90	8.50
09	A-WBP-B002EA-09SR01	8.00	10.90	9.50
10	A-WBP-B002EA-10SR01	9.00	11.90	10.50
11	A-WBP-B002EA-11SR01	10.00	12.90	11.50
12	A-WBP-B002EA-12SR01	11.00	13.90	12.50
13	A-WBP-B002EA-13SR01	12.00	14.90	13.50
14	A-WBP-B002EA-14SR01	13.00	15.90	14.50
15	A-WBP-B002EA-15SR01	14.00	16.90	15.50
16	A-WBP-B002EA-16SR01	15.00	17.90	16.50
17	A-WBP-B002EA-17SR01	16.00	18.90	17.50
18	A-WBP-B002EA-18SR01	17.00	19.90	18.50
19	A-WBP-B002EA-19SR01	18.00	20.90	19.50
20	A-WBP-B002EA-20SR01	19.00	21.90	20.50

G

RoHS compliant

unit:mm

Scale Free

TOLERANCE

X. ±0.35

X.X ±0.25

X.XX ±0.20

X.XXX ±0.15

DIM TOL

Angle TOL

①

Drawn

modification

01.10.2022

Peter

Drawn

Approved

</

1

2

3

4

5

6

7

A

B

C

D

E

F

A

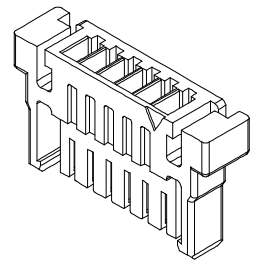
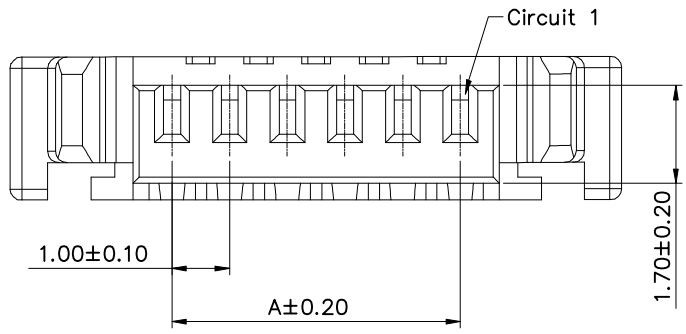
B

C

D

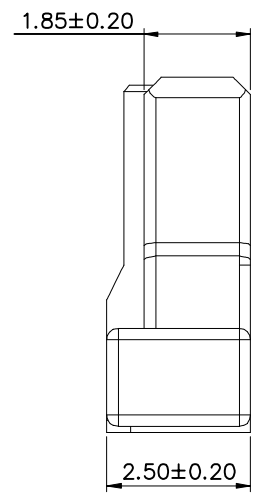
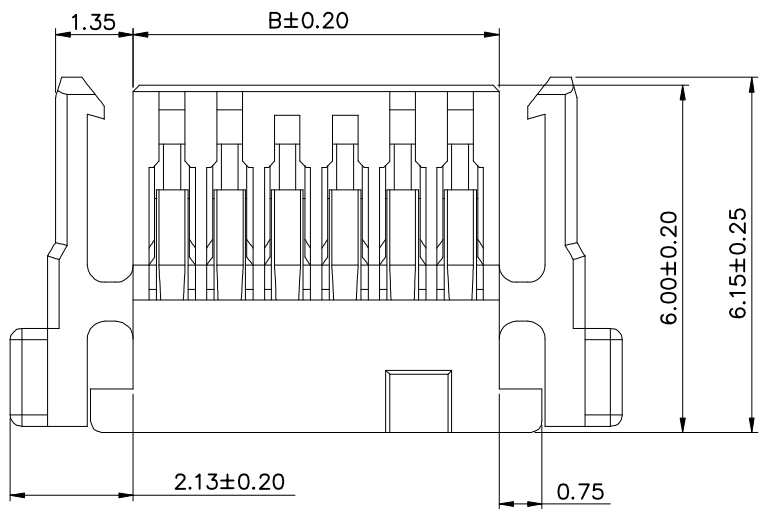
E

F



NOTE:

- 1.MATERIAL
 - 1.1 Insulator:Nylon 66,UL94V-0,White
- 2.ELECTRIC
 - 2.1 Voltage Rating:50V AC/DC
 - 2.2 Current Rating:1A AC/DC
 - 2.3 Withstanding Voltage:500V AC/minute
 - 2.4 Insulation Resistance:100MΩ Min
- 3.Temperature Range:-40°C To +105°C
- 4.Packing:PE bag



Poles	Part No.	Dimensions (mm)	
		A	B
02	A-WBH-B002EG-02CB01	1.00	2.30
03	A-WBH-B002EG-03CB01	2.00	3.30
04	A-WBH-B002EG-04CB01	3.00	4.30
05	A-WBH-B002EG-05CB01	4.00	5.30
06	A-WBH-B002EG-06CB01	5.00	6.30
07	A-WBH-B002EG-07CB01	6.00	7.30
08	A-WBH-B002EG-08CB01	7.00	8.30
09	A-WBH-B002EG-09CB01	8.00	9.30
10	A-WBH-B002EG-10CB01	9.00	10.30
11	A-WBH-B002EG-11CB01	10.00	11.30
12	A-WBH-B002EG-12CB01	11.00	12.30
13	A-WBH-B002EG-13CB01	12.00	13.30
14	A-WBH-B002EG-14CB01	13.00	14.30
15	A-WBH-B002EG-15CB01	14.00	15.30
16	A-WBH-B002EG-16CB01	15.00	16.30
17	A-WBH-B002EG-17CB01	16.00	17.30
18	A-WBH-B002EG-18CB01	17.00	18.30
19	A-WBH-B002EG-19CB01	18.00	19.30
20	A-WBH-B002EG-20CB01	19.00	20.30

G

H

RoHS compliant
unit:mm

Scale	Free
TOLERANCE	
X.	±0.35
X.X	±0.25
X.XX	±0.20
X.XXX	±0.15
DIM	TOL
Angle	TOL

Drawn	01.10.2022	Peter
modification	Date	Name



Date	Name
01.10.2022	Peter
01.10.2022	Peter

Description: Wire to Board Housing Pitch 1.00mm	
ASSMANN WSWW-NO. A-WBH-B002EG-xxCB01	
Drawing-No.	rev00
ASS 9201 CO	
Customer-No.	SHEET 2 / 3

1

2

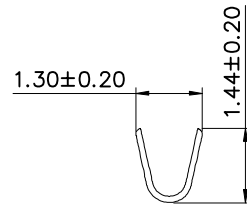
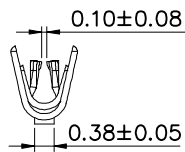
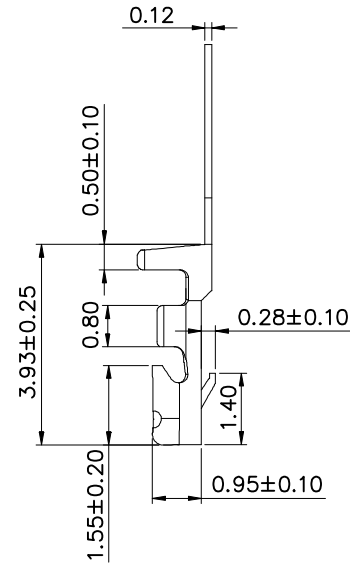
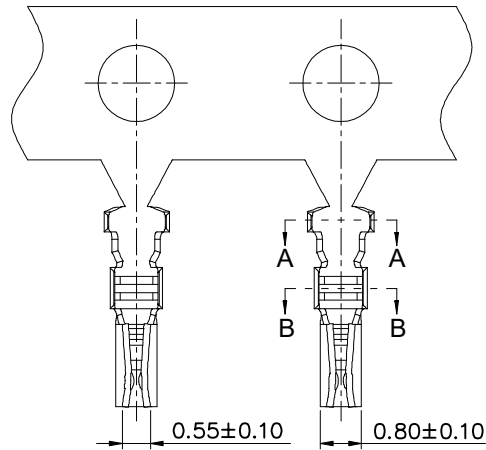
3

4

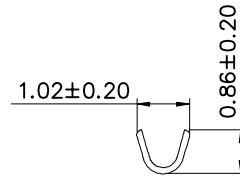
5

6

7



SEC: A-A



SEC: B-B

NOTE:

- 1.MATERIAL
 - 1.1 Contact:Phosphor Bronze,Tin over Nickel
- 2.ELECTRIC
 - 2.1 Voltage Rating:50V AC/DC
 - 2.2 Current Rating:1A AC/DC
 - 2.3 Withstanding Voltage:500V AC/minute
 - 2.4 Insulation Resistance:100MΩ Min.
 - 2.5 Contact Resistance:20mΩ Max
- 3.Temperature Range:-40°C To +105°C
- 4.Applicable Wire:AWG#28-#32
- 5.Packing:Reel

G

RoHS compliant
unit:mm

Scale	Free
TOLERANCE	
X.	±0.35
X.X	±0.25
X.XX	±0.20
X.XXX	±0.15
DIM	TOL
Angle	TOL

①

Drawn	01.10.2022	Peter
Id.	modification	Date Name



Date	Name
01.10.2022	Peter
01.10.2022	Peter

Description: Wire to Board Terminal Pitch 1.00mm	
ASSMANN WSW-NO. A-WBT-B002EG-01CR01	
Drawing-No. ASS 9201 CO	rev00
Customer-No.	SHEET 3 / 3

H