

1

2

3

4

5

6

7

A

A

B

B

C

C

D

D

E

E

F

F

G

G

H

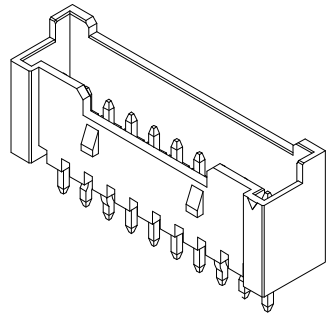
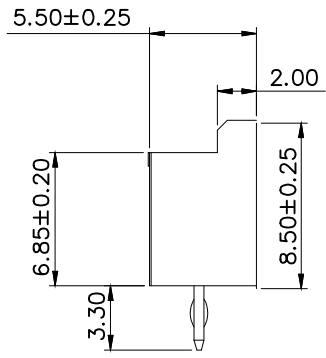
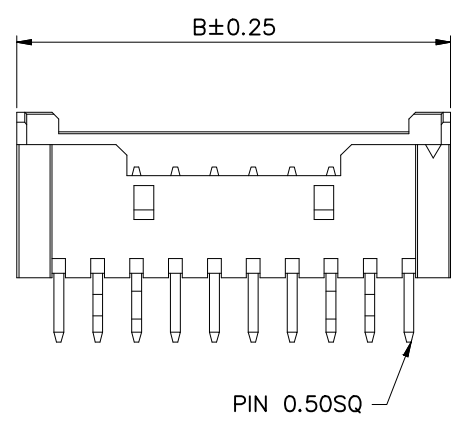
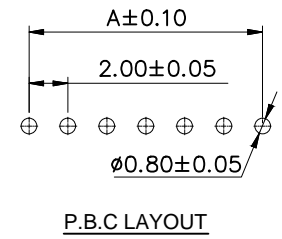
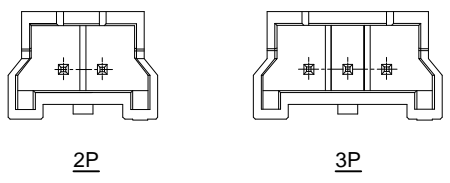
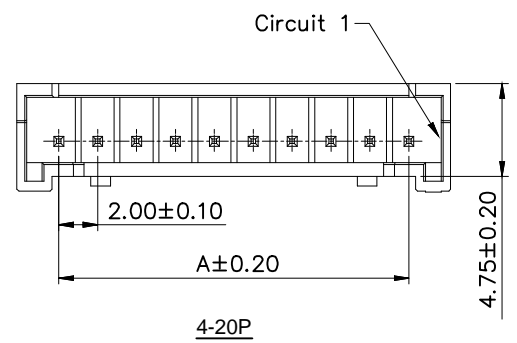
H

NOTE:

1.MATERIAL
 1.1 Insulator:Nylon 66,UL94V-0,Ivory
 1.2 Contact:Brass,Tin over Nickel

2.ELECTRIC
 2.1 Voltage Rating:250V AC/DC
 2.2 Current Rating:3A AC/DC
 2.3 Withstanding Voltage:1000V AC/minute
 2.4 Insulation Resistance:1000MΩ Min

3. Temperature Range:-40°C To +105°C
4.Packing:PE bag



Poles	Part No.	Dimensions (mm)	
		A	B
02	A-WBP-K005EG-02TB01	2.00	7.70
03	A-WBP-K005EG-03TB01	4.00	9.70
04	A-WBP-K005EG-04TB01	6.00	10.30
05	A-WBP-K005EG-05TB01	8.00	12.30
06	A-WBP-K005EG-06TB01	10.00	14.30
07	A-WBP-K005EG-07TB01	12.00	16.30
08	A-WBP-K005EG-08TB01	14.00	18.30
09	A-WBP-K005EG-09TB01	16.00	20.30
10	A-WBP-K005EG-10TB01	18.00	22.30
11	A-WBP-K005EG-11TB01	20.00	24.30
12	A-WBP-K005EG-12TB01	22.00	26.30
13	A-WBP-K005EG-13TB01	24.00	28.30
14	A-WBP-K005EG-14TB01	26.00	30.30
15	A-WBP-K005EG-15TB01	28.00	32.30
16	A-WBP-K005EG-16TB01	30.00	34.30
17	A-WBP-K005EG-17TB01	32.00	36.30
18	A-WBP-K005EG-18TB01	34.00	38.30
19	A-WBP-K005EG-19TB01	36.00	40.30
20	A-WBP-K005EG-20TB01	38.00	42.30

RoHS compliant
unit:mm

Scale	Free
TOLERANCE	
X.	±0.35
X.X	±0.25
X.XX	±0.20
X.XXX	±0.15
DIM	TOL
Angle	TOL

①	Add the P/N and correct the terminal	03.06.2024	Peter
②	Drawn	01.11.2022	Peter
Id.	modification	Date	Name

Date

Name

Drawn 01.11.2022 Peter

Approved 03.06.2024 Peter

ASSMANN
WSW components

Description: Wire to Board Wafer
Pitch 2.00mm 180° THT

ASSMANN WSW-NO.
A-WBP-K005EG-xxTB01

Drawing-No.
ASS 9203 CO rev01

Customer-No. SHEET 1 / 3

1

2

3

4

5

6

7

1

2

3

4

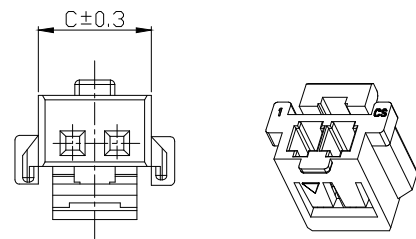
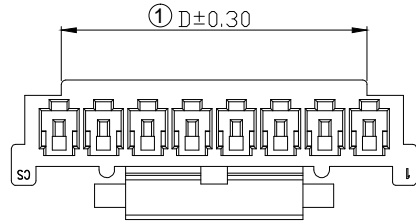
5

6

7

A

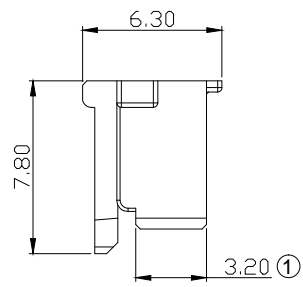
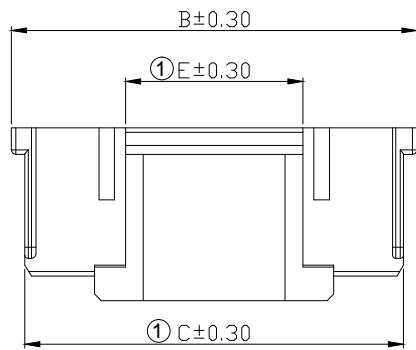
A



NOTE:
 1.MATERIAL
 1.1 Insulator:Nylon 66,UL94V-0,Ivory
 2.ELECTRIC
 2.1 Voltage Rating:250V AC/DC
 2.2 Current Rating:3A AC/DC
 2.3 Withstanding Voltage:1000V AC/minute
 2.4 Insulation Resistance:1000MΩ Min
 3.Temperature Range:-40°C To +105°C
 4.Packing:PE bag

B

B



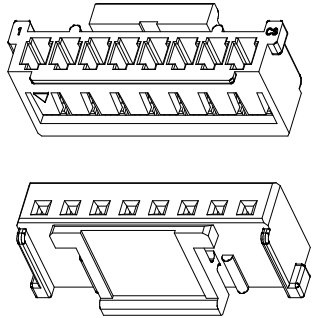
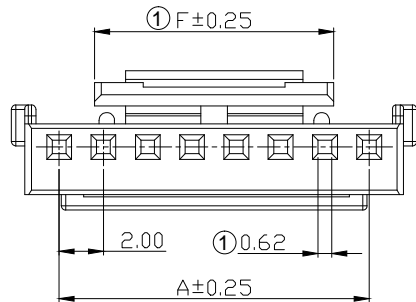
Poles	① Part No.	Dimmensions (mm)					
		A	B	C	D	E	F
02	A-WBH-K005EG-02CB01	2.00	7.20	5.10	1.80	4.10	--
03	A-WBH-K005EG-03CB01	4.00	9.20	7.10	3.80	6.10	--
04	A-WBH-K005EG-04CB01	6.00	10.30	9.10	5.80	4.00	6.40
05	A-WBH-K005EG-05CB01	8.00	12.30	11.10	7.80	4.00	6.40
06	A-WBH-K005EG-06CB01	10.00	14.30	13.10	9.80	4.00	6.40
07	A-WBH-K005EG-07CB01	12.00	16.30	15.10	11.80	4.00	6.40
08	A-WBH-K005EG-08CB01	14.00	18.30	17.10	13.80	8.00	10.80
09	A-WBH-K005EG-09CB01	16.00	20.30	19.10	15.80	8.00	10.80
10	A-WBH-K005EG-10CB01	18.00	22.30	21.10	17.80	8.00	10.80
11	A-WBH-K005EG-11CB01	20.00	24.30	23.10	19.80	8.00	10.80
12	A-WBH-K005EG-12CB01	22.00	26.30	25.10	21.80	8.00	10.80
13	A-WBH-K005EG-13CB01	24.00	28.30	27.10	23.80	8.00	10.80
14	A-WBH-K005EG-14CB01	26.00	30.30	29.10	25.80	8.00	10.80
15	A-WBH-K005EG-15CB01	28.00	32.30	31.10	27.80	8.00	10.80
16	A-WBH-K005EG-16CB01	30.00	34.30	33.10	29.80	8.00	10.80
17	A-WBH-K005EG-17CB01	32.00	36.30	35.10	31.80	8.00	10.80
18	A-WBH-K005EG-18CB01	34.00	38.30	37.10	33.80	8.00	10.80
19	A-WBH-K005EG-19CB01	36.00	40.30	39.10	35.80	8.00	10.80
20	A-WBH-K005EG-20CB01	38.00	42.30	41.10	37.80	8.00	10.80

D

D

E

E



F

F

G

G

RoHS compliant
unit:mm

Scale	Free
TOLERANCE	
X.	±0.35
X.X	±0.25
X.XX	±0.20
X.XXX	±0.15
DIM	TOL
Angle	TOL

				Date	Name	Description: Wire to Board Housing Pitch 2.00mm	
				Drawn	01.11.2022		Peter
				Approved	03.06.2024		Peter
						ASSMANN WSW-NO. A-WBH-K005EG-xxCB01	
		①	Add the P/N and correct the terminal	03.06.2024	Peter	Drawing-No. ASS 9203 CO	
		②	Drawn	01.11.2022	Peter		
		Id.	modification	Date	Name	Customer-No.	



H

H

rev01
SHEET 2 / 3

1

2

3

4

5

6

7

1

2

3

4

5

6

7

A

A

B

B

C

C

D

D

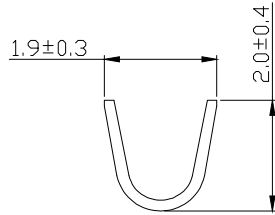
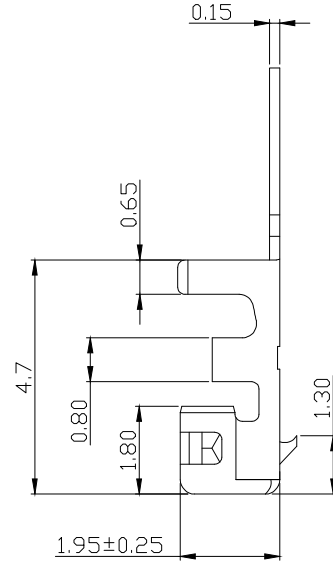
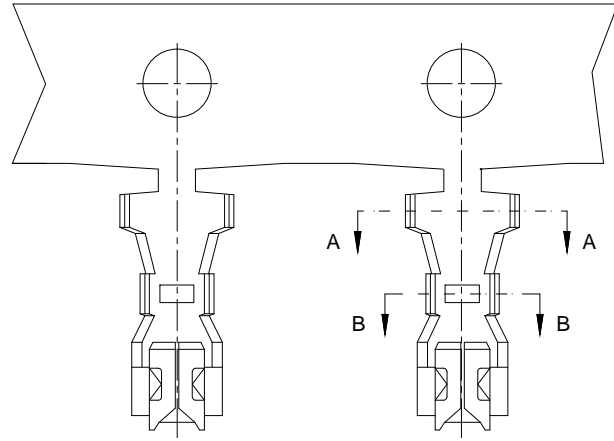
E

E

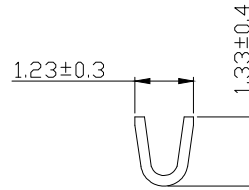
F

F

①



SEC:A-A



SEC:B-B

NOTE:

- 1.MATERIAL
 - 1.1 Contact:Phosphor Bronze,Tin over Nickel
- 2.ELECTRIC
 - ① 2.1 Voltage Rating:125V AC/DC
 - ① 2.2 Current Rating:2A AC/DC
 - 2.3 Withstanding Voltage:1000V AC/minute
 - 2.4 Insulation Resistance:1000MΩ Min
 - ① 2.5 Contact Resistance:20mΩ Max
- 3.Temperature Range:-40°C To +105°C
- ① 4.Applicable Wire:AWG#24-30#
- 5.Packing:Reel

RoHS compliant
unit:mm

Scale	Free
TOLERANCE	
X.	±0.35
X.X	±0.25
X.XX	±0.20
X.XXX	±0.15
DIM	TOL
Angle	TOL

①	Add the P/N and correct the terminal	03.06.2024	Peter
②	Drawn	01.11.2022	Peter
Id.	modification	Date	Name

Date	Name	Description: Wire to Board Terminal Pitch 2.00mm
Drawn	Peter	
Approved	Peter	ASSMANN WSW-NO. A-WBT-K005EG-01CR01
		Drawing-No. ASS 9203 CO
		Customer-No.

rev01
SHEET 3 / 3

1

2

3

4

5

6

7