

1

2

3

4

5

6

7

A

A

B

B

C

C

D

D

E

E

F

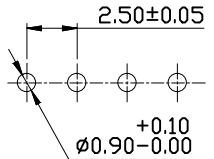
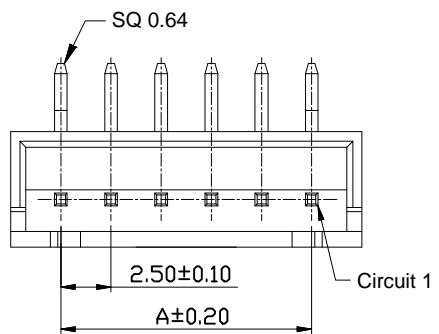
F

G

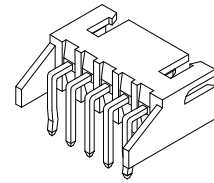
G

H

H



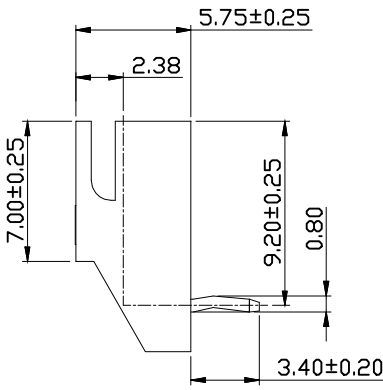
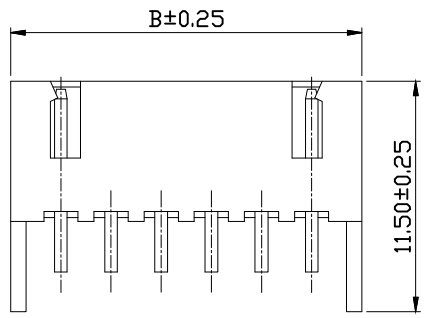
PCB LAYOUT



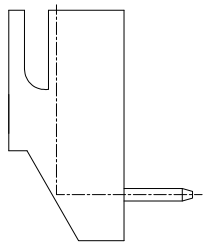
NOTE:

- 1.MATERIAL
 - 1.1 Insulator:Nylon 66,UL94V-0,White
 - 1.2 Contact:Brass,Tin over Nickel
- 2.ELECTRIC
 - 2.1 Voltage Rating:250V AC/DC
 - 2.2 Current Rating:3A AC/DC
 - 2.3 Withstanding Voltage:800V AC/minute
 - 2.4 Insulation Resistance:1000MΩ Min
- 3.Temperature Range:-40°C To +105°C
- 4.Packing:PE bag

Order Code:A-WBP-L004EA-xxTB0x
 1:Type 1
 2:Type 2
 No of contact



TYPE 1



TYPE 2

Poles	③ Part No.	Dimensions (mm)	
		A	B
02	A-WBP-L004EA-02TB0x	2.50	7.50
03	A-WBP-L004EA-03TB0x	5.00	10.00
04	A-WBP-L004EA-04TB0x	7.50	12.50
05	A-WBP-L004EA-05TB0x	10.00	15.00
06	A-WBP-L004EA-06TB0x	12.50	17.50
07	A-WBP-L004EA-07TB0x	15.00	20.00
08	A-WBP-L004EA-08TB0x	17.50	22.50
09	A-WBP-L004EA-09TB0x	20.00	25.00
10	A-WBP-L004EA-10TB0x	22.50	27.50
11	A-WBP-L004EA-11TB0x	25.00	30.00
12	A-WBP-L004EA-12TB0x	27.50	32.50
13	A-WBP-L004EA-13TB0x	30.00	35.00
14	A-WBP-L004EA-14TB0x	32.50	37.50
15	A-WBP-L004EA-15TB0x	35.00	40.00
16	A-WBP-L004EA-16TB0x	37.50	42.50

RoHS compliant
 unit:mm

 ② File No.: E198287

Scale	Free
TOLERANCE	
X.	±0.35
X.X	±0.25
X.XX	±0.20
X.XXX	±0.15
DIM	TOL
Angle	TOL

③	Update WSW P/N (remove 17-20Pin)	01.25.2024	Peter	Approved	01.25.2024	Peter
②	Add UL E-No. on page 1,3,4,5	03.16.2023	Peter			
①	Add the page 6	09.23.2022	Winnie			
①	Drawn	03.15.2022	Peter			
Id.	modification	Date	Name			

Date Name
 Drawn 03.15.2022 Peter
 Approved 01.25.2024 Peter

Description: Wire to Board Wafer
 Pitch 2.50mm 90° THT
 ASSMANN WSW-NO.
A-WBP-L004EA-xxTB0x
 Drawing-No. ASS 9266 CO rev03
 Customer-No. SHEET 1 / 8

1

2

3

4

5

6

7

1

2

3

4

5

6

7

A

A

B

B

C

C

D

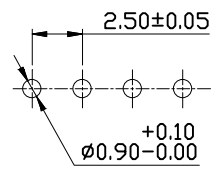
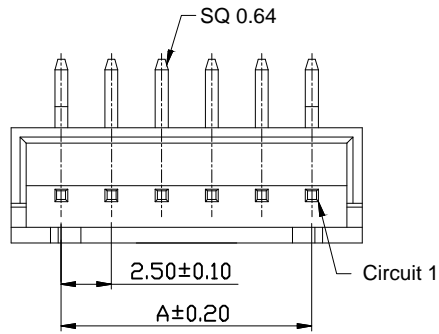
D

E

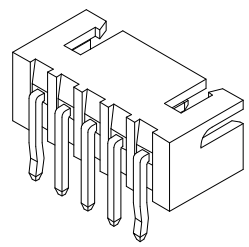
E

F

F



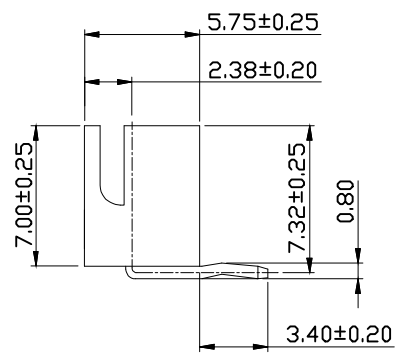
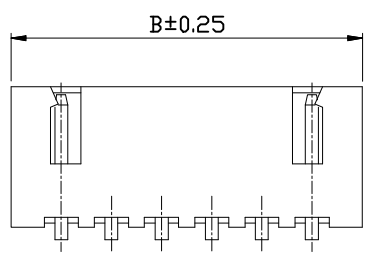
PCB LAYOUT



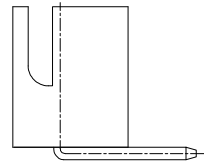
NOTE:

- 1.MATERIAL
 - 1.1 Insulator:Nylon 66,UL94V-0,White
 - 1.2 Contact:Brass,Tin over Nickel
- 2.ELECTRIC
 - 2.1 Voltage Rating:250V AC/DC
 - 2.2 Current Rating:3A AC/DC
 - 2.3 Withstanding Voltage:800V AC/minute
 - 2.4 Insulation Resistance:1000MΩ Min
- 3.Temperature Range:-40°C To +105°C
- 4.Packing:PE bag

Order Code:A-WBP-L004EA-xxTB0x
 3:Type 1
 4:Type 2
 No of contact



TYPE 1



TYPE 2

Poles	③ Part No.	Dimensions (mm)	
		A	B
02	A-WBP-L004EA-02TB0x	2.50	7.50
03	A-WBP-L004EA-03TB0x	5.00	10.00
04	A-WBP-L004EA-04TB0x	7.50	12.50
05	A-WBP-L004EA-05TB0x	10.00	15.00
06	A-WBP-L004EA-06TB0x	12.50	17.50
07	A-WBP-L004EA-07TB0x	15.00	20.00
08	A-WBP-L004EA-08TB0x	17.50	22.50
09	A-WBP-L004EA-09TB0x	20.00	25.00
10	A-WBP-L004EA-10TB0x	22.50	27.50
11	A-WBP-L004EA-11TB0x	25.00	30.00
12	A-WBP-L004EA-12TB0x	27.50	32.50
13	A-WBP-L004EA-13TB0x	30.00	35.00
14	A-WBP-L004EA-14TB0x	32.50	37.50
15	A-WBP-L004EA-15TB0x	35.00	40.00
16	A-WBP-L004EA-16TB0x	37.50	42.50

G

G

RoHS compliant



② File No.: E198287

Scale	Free
TOLERANCE	
X.	±0.35
X.X	±0.25
X.XX	±0.20
X.XXX	±0.15
DIM	TOL
Angle	TOL

Id.	modification	Date	Name
③	Update WSW P/N (remove 17-20Pin)	01.25.2024	Peter
②	Add UL E-No. on page 1,3,4,5	03.16.2023	Peter
①	Add the page 6	09.23.2022	Winnie
①	Drawn	03.15.2022	Peter

Date: 03.15.2022
 Name: Peter
 Drawn: 03.15.2022
 Approved: 01.25.2024
 Name: Peter
ASSMANN
 WSW components

Description: Wire to Board Wafer Pitch 2.50mm 90° THT	
ASSMANN WSW-NO. A-WBP-L004EA-xxTB0x	
Drawing-No. ASS 9266 CO	rev03
Customer-No.	SHEET 2 / 8

1

2

3

4

5

6

7

H

H

1

2

3

4

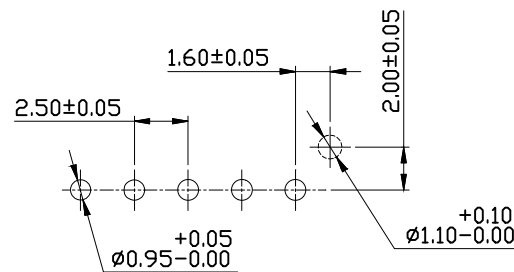
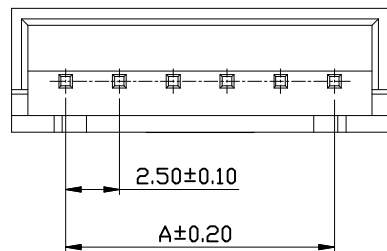
5

6

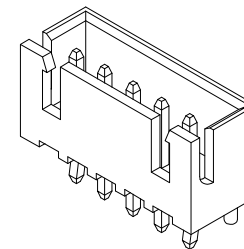
7

A

A



PCB LAYOUT



NOTE:

1.MATERIAL

- 1.1 Insulator:Nylon 66,UL94V-0,White
- 1.2 Contact:Brass,Tin over Nickel

2.ELECTRIC

- 2.1 Voltage Rating:250V AC/DC
- 2.2 Current Rating:3A AC/DC
- 2.3 Withstanding Voltage:800V AC/minute
- 2.4 Insulation Resistance:1000MΩ Min

3.Temperature Range:-40°C To +105°C

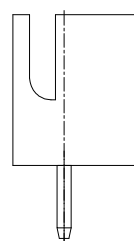
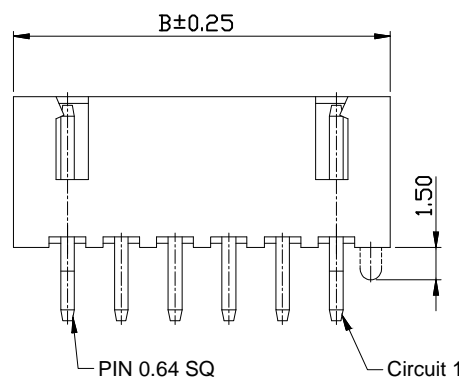
4.Packing:PE bag

Order Code:A-WBP-L004EG-xxTB0x

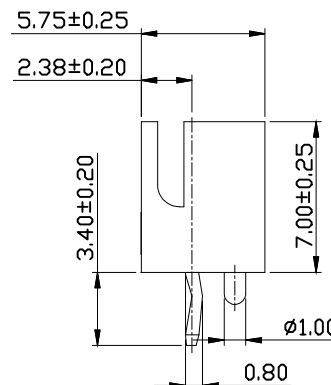
- 1:Type 1
- 2:Type 2
- 3:Type 3

D

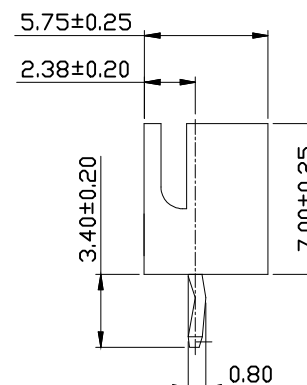
D



TYPE 1



TYPE 2



TYPE 3

Poles	③ Part No.	Dimensions (mm)	
		A	B
02	A-WBP-L004EG-02TB0x	2.50	7.50
03	A-WBP-L004EG-03TB0x	5.00	10.00
04	A-WBP-L004EG-04TB0x	7.50	12.50
05	A-WBP-L004EG-05TB0x	10.00	15.00
06	A-WBP-L004EG-06TB0x	12.50	17.50
07	A-WBP-L004EG-07TB0x	15.00	20.00
08	A-WBP-L004EG-08TB0x	17.50	22.50
09	A-WBP-L004EG-09TB0x	20.00	25.00
10	A-WBP-L004EG-10TB0x	22.50	27.50
11	A-WBP-L004EG-11TB0x	25.00	30.00
12	A-WBP-L004EG-12TB0x	27.50	32.50
13	A-WBP-L004EG-13TB0x	30.00	35.00
14	A-WBP-L004EG-14TB0x	32.50	37.50
15	A-WBP-L004EG-15TB0x	35.00	40.00
16	A-WBP-L004EG-16TB0x	37.50	42.50

G

G

RoHS compliant

unit:mm



② File No.: E198287

Scale Free

TOLERANCE

X. ±0.35

X.X ±0.25

X.XX ±0.20

X.XXX ±0.15

DIM TOL

Angle TOL

③

Update WSW P/N (remove 17-20Pin)

01.25.2024

Peter

Approved

01.25.2024

Peter

②

Add UL E-No. on page 1,3,4,5

03.16.2023

Peter

①

Add the page 6

09.23.2022

Winnie

①

Drawn

03.15.2022

Peter

Id.

modification

Date

Name

Date

Name

Description: Wire to Board Wafer
Pitch 2.50mm 180° THT

ASSMANN WSW-NO.

A-WBP-L004EG-xxTB0x

Drawing-No.

ASS 9266 CO

rev03

Customer-No.

SHEET
3 / 8

1

2

3

4

5

6

7

H

H



1

2

3

4

5

6

7

A

B

C

D

E

F

A

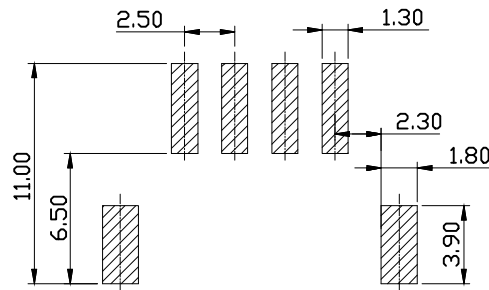
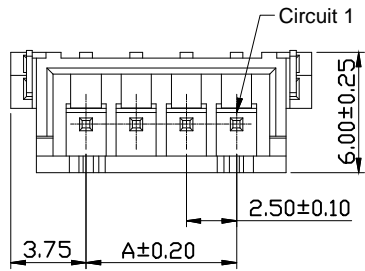
B

C

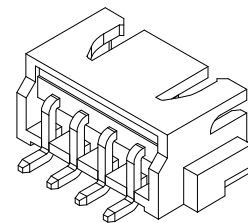
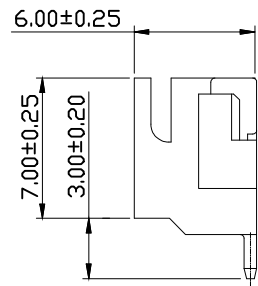
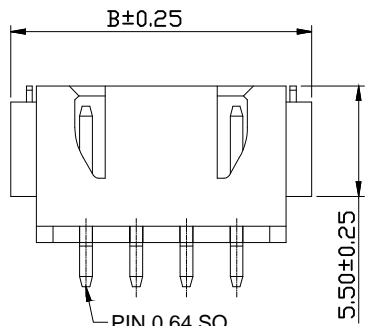
D

E

F



PCB LAYOUT



NOTE:

- 1.MATERIAL
 - 1.1 Insulator:LCP,UL94V-0,White
 - 1.2 Contact:Brass,Tin over Nickel
- 2.ELECTRIC
 - 2.1 Voltage Rating:250V AC/DC
 - 2.2 Current Rating:3A AC/DC
 - 2.3 Withstanding Voltage:800V AC/minute
 - 2.4 Insulation Resistance:1000MΩ Min
- 3.Temperature Range:-40°C To +105°C
- 4.Packing:Tape Reel

Poles	③ Part No.	Dimensions (mm)	
		A	B
02	A-WBP-L004EA-02SR01	2.50	10.00
03	A-WBP-L004EA-03SR01	5.00	12.50
04	A-WBP-L004EA-04SR01	7.50	15.00
05	A-WBP-L004EA-05SR01	10.00	17.50
06	A-WBP-L004EA-06SR01	12.50	20.00
07	A-WBP-L004EA-07SR01	15.00	22.50
08	A-WBP-L004EA-08SR01	17.50	25.00
09	A-WBP-L004EA-09SR01	20.00	27.50
10	A-WBP-L004EA-10SR01	22.50	30.00
11	A-WBP-L004EA-11SR01	25.00	32.50
12	A-WBP-L004EA-12SR01	27.50	35.00
13	A-WBP-L004EA-13SR01	30.00	37.50
14	A-WBP-L004EA-14SR01	32.50	40.00
15	A-WBP-L004EA-15SR01	35.00	42.50
16	A-WBP-L004EA-16SR01	37.50	45.00

G

H

RoHS compliant

unit:mm



② File No.: E198287

Scale	Free
TOLERANCE	
X.	±0.35
X.X	±0.25
X.XX	±0.20
X.XXX	±0.15
DIM	TOL
Angle	TOL

③	Modification	Date	Name
③	Update WSW P/N (remove 17-20Pin)	01.25.2024	Peter
②	Add UL E-No. on page 1,3,4,5	03.16.2023	Peter
①	Add the page 6	09.23.2022	Winnie
①	Drawn	03.15.2022	Peter
Id.	modification	Date	Name

Date: 03.15.2022
Name: Peter
Drawn: 03.15.2022
Approved: 01.25.2024
Peter

Description: Wire to Board Wafer
Pitch 2.50mm 90° SMT

ASSMANN WSW-NO.
A-WBP-L004EA-xxSR01

Drawing-No. ASS 9266 CO rev03

Customer-No. SHEET 4 / 8

1

2

3

4

5

6

7

G

H

1

2

3

4

5

6

7

A

A

B

B

C

C

D

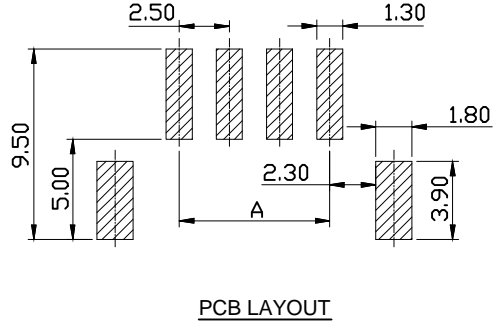
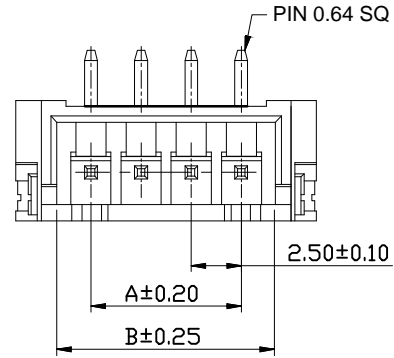
D

E

E

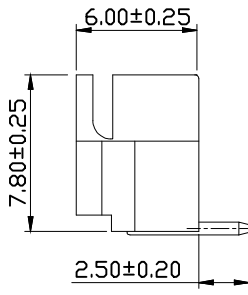
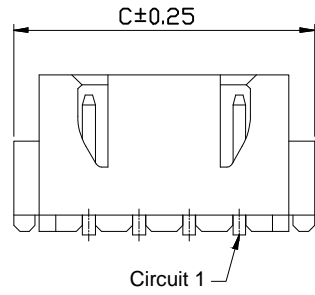
F

F



NOTE:

- 1.MATERIAL
 - ① 1.1 Insulator:LCP,UL94V-0,White
 - 1.2 Contact:Brass,Tin over Nickel
- 2.ELECTRIC
 - 2.1 Voltage Rating:250V AC/DC
 - 2.2 Current Rating:3A AC/DC
 - 2.3 Withstanding Voltage:800V AC/minute
 - 2.4 Insulation Resistance:1000MΩ Min
- 3.Temperature Range:-40°C To +105°C
- 4.Packing:Tape&Reel



Poles	Part No.	Dimmensions (mm)		
		A	B	B
02	A-WBP-L004EG-02SR01	2.50	5.90	10.00
03	A-WBP-L004EG-03SR01	5.00	8.40	12.50
04	A-WBP-L004EG-04SR01	7.50	10.90	15.00
05	A-WBP-L004EG-05SR01	10.00	13.40	17.50
06	A-WBP-L004EG-06SR01	12.50	15.90	20.00
07	A-WBP-L004EG-07SR01	15.00	18.40	22.50
08	A-WBP-L004EG-08SR01	17.50	20.90	25.00
09	A-WBP-L004EG-09SR01	20.00	23.40	27.50
10	A-WBP-L004EG-10SR01	22.50	25.90	30.00
11	A-WBP-L004EG-11SR01	25.00	28.40	32.50
12	A-WBP-L004EG-12SR01	27.50	30.90	35.00
13	A-WBP-L004EG-13SR01	30.00	33.40	37.50
14	A-WBP-L004EG-14SR01	32.50	35.90	40.00
15	A-WBP-L004EG-15SR01	35.00	38.40	42.50
16	A-WBP-L004EG-16SR01	37.50	40.90	45.00

G

G

RoHS compliant
unit:mm

② File No.: E198287

Scale	Free
TOLERANCE	
X.	±0.35
X.X	±0.25
X.XX	±0.20
X.XXX	±0.15
DIM	TOL
Angle	TOL

③	Update WSW P/N (remove 17-20Pin)	01.25.2024	Peter	Approved	01.25.2024	Peter
②	Add UL E-No. on page 1,3,4,5	03.16.2023	Peter			
①	Add the page 6	09.23.2022	Winnie			
①	Drawn	03.15.2022	Peter			
Id.	modification	Date	Name			

Date

Name

Drawn

03.15.2022

Peter

ASSMANN
WSW components

Description: Wire to Board Wafer
Pitch 2.50mm 180° SMT

ASSMANN WSW-NO.
A-WBP-L004EG-xxSR01

Drawing-No.
ASS 9266 CO

Customer-No.

rev03

SHEET
5 / 8

H

H

1

2

3

4

5

6

7

1

2

3

4

5

6

7

A

A

B

B

C

C

D

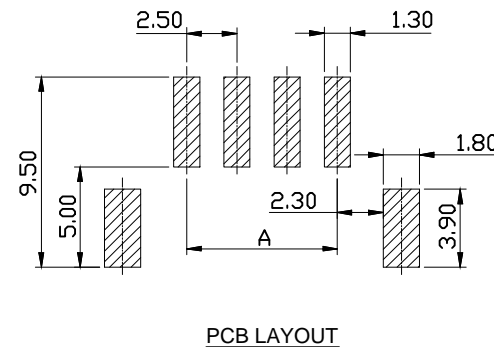
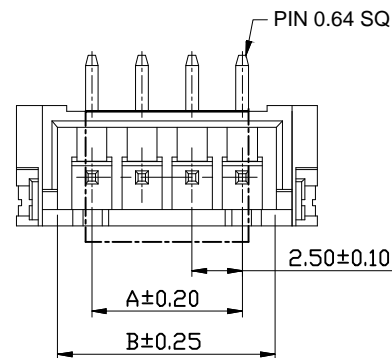
D

E

E

F

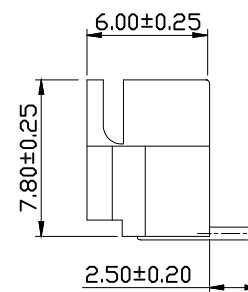
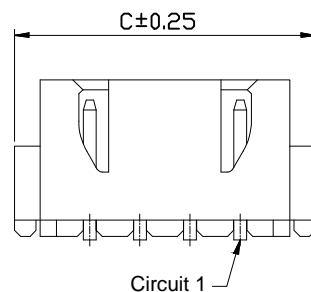
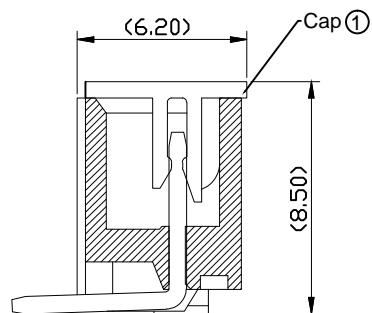
F

**NOTE:****1.MATERIAL**

- 1.1 Insulator:LCP,UL94V-0,White
- 1.2 Contact:Brass,Tin over Nickel

2.ELECTRIC

- 2.1 Voltage Rating:250V AC/DC
- 2.2 Current Rating:3A AC/DC
- 2.3 Withstanding Voltage:800V AC/minute
- 2.4 Insulation Resistance:1000MΩ Min

3.Temperature Range:-40°C To +105°C**4.Packing:Tape&Reel+Cap**

Poles	Part No.	Dimensions (mm)		
		A	B	B
02	A-WBP-L004EG-02SR02	2.50	5.90	10.00
03	A-WBP-L004EG-03SR02	5.00	8.40	12.50
04	A-WBP-L004EG-04SR02	7.50	10.90	15.00
05	A-WBP-L004EG-05SR02	10.00	13.40	17.50
06	A-WBP-L004EG-06SR02	12.50	15.90	20.00
07	A-WBP-L004EG-07SR02	15.00	18.40	22.50
08	A-WBP-L004EG-08SR02	17.50	20.90	25.00
09	A-WBP-L004EG-09SR02	20.00	23.40	27.50
10	A-WBP-L004EG-10SR02	22.50	25.90	30.00
11	A-WBP-L004EG-11SR02	25.00	28.40	32.50
12	A-WBP-L004EG-12SR02	27.50	30.90	35.00
13	A-WBP-L004EG-13SR02	30.00	33.40	37.50
14	A-WBP-L004EG-14SR02	32.50	35.90	40.00
15	A-WBP-L004EG-15SR02	35.00	38.40	42.50
16	A-WBP-L004EG-16SR02	37.50	40.90	45.00

G

G

RoHS compliant

unit:mm

Scale Free

TOLERANCE

X.X ±0.35

X.XX ±0.25

X.XXX ±0.15

DIM TOL

Angle TOL

③

Update WSW P/N (remove 17-20Pin)

01.25.2024

Peter

Approved

01.25.2024

Peter

②

Add UL E-No. on page 1,3,4,5

03.16.2023

Peter

①

Add the page 6

09.23.2022

Winnie

④

Drawn

03.15.2022

Peter

Id.

modification

Date

Name

Date

Name

Description: Wire to Board Wafer
Pitch 2.50mm 180° SMT

ASSMANN WSW-NO.

A-WBP-L004EG-xxSR02

Drawing-No.

ASS 9266 CO

rev03

Customer-No.

SHEET
6 / 8

H

H

1

2

3

4

5

6

7

1

2

3

4

5

6

7

A

A

B

B

C

C

D

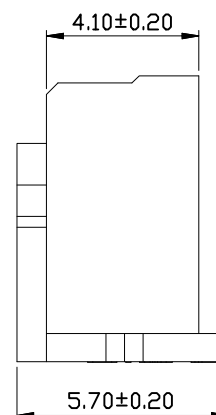
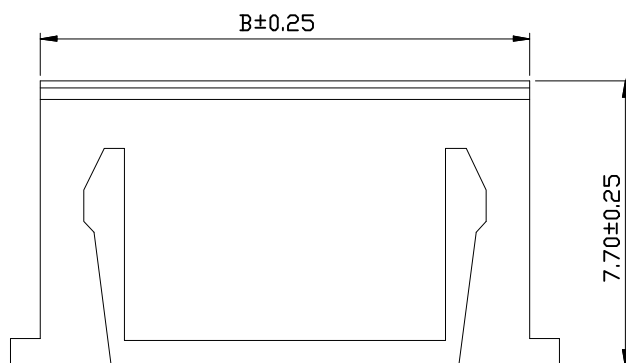
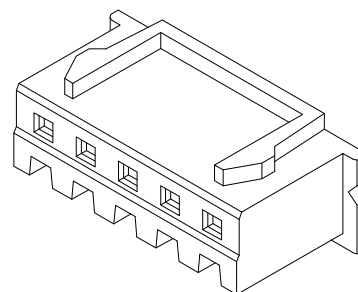
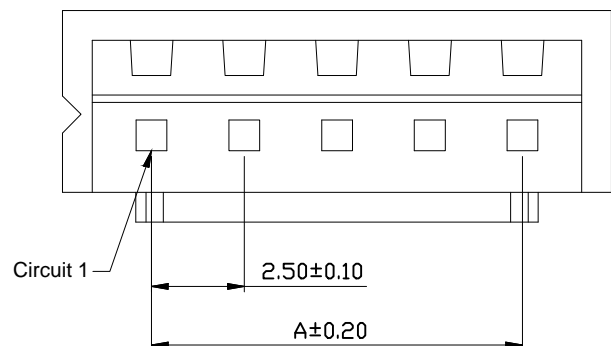
D

E

E

F

F

**NOTE:****1.MATERIAL**

1.1 Insulator:Nylon 66,UL94V-0,White

2.ELECTRIC

2.1 Voltage Rating:250V AC/DC

2.2 Current Rating:3A AC/DC

2.3 Withstanding Voltage:800V AC/minute

2.4 Insulation Resistance:1000MΩ Min

3.Temperature Range:-40°C To +105°C

4.Packing:PE bag

Poles	③ Part No.	Dimensions (mm)	
		A	B
02	A-WBH-L004EG-02CB01	2.50	5.70
03	A-WBH-L004EG-03CB01	5.00	8.20
04	A-WBH-L004EG-04CB01	7.50	10.70
05	A-WBH-L004EG-05CB01	10.00	13.20
06	A-WBH-L004EG-06CB01	12.50	15.70
07	A-WBH-L004EG-07CB01	15.00	18.20
08	A-WBH-L004EG-08CB01	17.50	20.70
09	A-WBH-L004EG-09CB01	20.00	23.20
10	A-WBH-L004EG-10CB01	22.50	25.70
11	A-WBH-L004EG-11CB01	25.00	28.20
12	A-WBH-L004EG-12CB01	27.50	30.70
13	A-WBH-L004EG-13CB01	30.00	33.20
14	A-WBH-L004EG-14CB01	32.50	35.70
15	A-WBH-L004EG-15CB01	35.00	38.20
16	A-WBH-L004EG-16CB01	37.50	40.70

RoHS compliant

unit:mm

Scale Free

TOLERANCE

X. ±0.35

X.X ±0.25

X.XX ±0.20

X.XXX ±0.15

DIM TOL

Angle TOL

③

Update WSW P/N (remove 17-20Pin)

01.25.2024

Peter

Approved

01.25.2024

Peter

②

Add UL E-No. on page 1,3,4,5

03.16.2023

Peter

①

Add the page 6

09.23.2022

Winnie

④

Drawn

03.15.2022

Peter

⑤

modification

Date

Name

Date

Name

Description: Wire to Board Housing
Pitch 2.50mm

ASSMANN WSW-NO.

A-WBH-L004EG-xxCB01

Drawing-No.

ASS 9266 CO

rev03

Customer-No.

SHEET
7 / 8

1

2

3

4

5

6

7

H

H

1

2

3

4

5

6

7

A

A

B

B

C

C

D

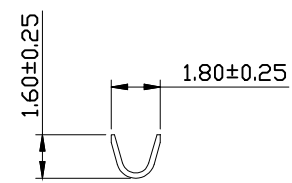
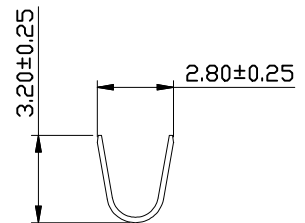
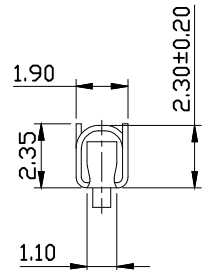
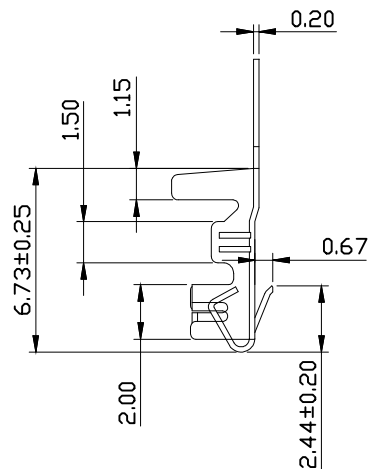
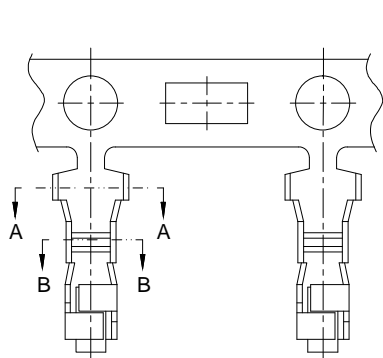
D

E

E

F

F



SEC:A-A

SEC:B-B

NOTE:

- 1.MATERIAL
 - 1.1 Contact:Phosphor Bronze,Tin over Nickel
- 2.ELECTRIC
 - 2.1 Voltage Rating:250V AC/DC
 - 2.2 Current Rating:3A AC/DC
 - 2.3 Withstanding Voltage:800V AC/minute
 - 2.4 Insulation Resistance:1000MΩ Min
 - 2.5 Contact Resistance:10mΩ Max
- 3.Temperature Range:-40°C To +105°C
- 4.Applicable Wire:AWG#22-#28 (insulation O.D 1.9mm Max)
- 5.Packing:Reel

G

G

RoHS compliant
unit:mm

Scale	Free						Date	Name	Description: Wire to Board Terminal Pitch 2.50mm	
TOLERANCE						Drawn	03.15.2022	Peter		
X.	±0.35								ASSMANN WSW-NO. A-WBT-L004EG-01CR02	
X.X	±0.25	③	Update WSW P/N (remove 17-20Pin)	01.25.2024	Peter	Approved	01.25.2024	Peter		
X.XX	±0.20	②	Add UL E-No. on page 1,3,4,5	03.16.2023	Peter					
X.XXX	±0.15	①	Add the page 6	09.23.2022	Winnie				Drawing-No.	
DIM	TOL	④	Drawn	03.15.2022	Peter				ASS 9266 CO	rev03
Angle	TOL	Id.	modification	Date	Name				Customer-No.	SHEET 8 / 8

H

H

1

2

3

4

5

6

7