

1

2

3

4

5

6

7

A

B

C

D

E

F

A

B

C

D

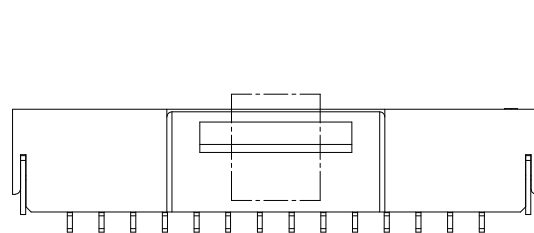
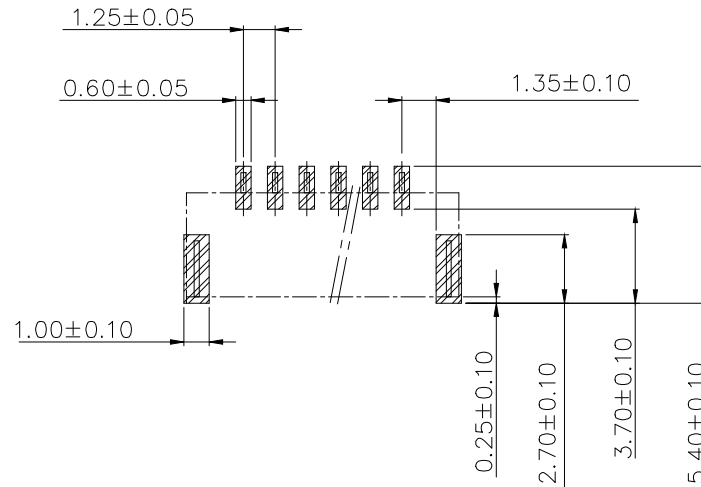
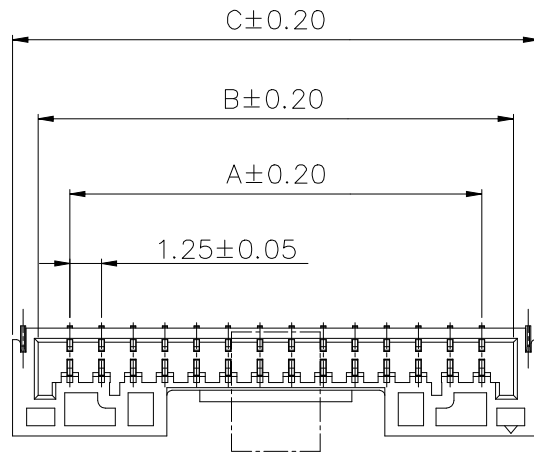
E

F

Notes:
 Voltage rating: 50V AC/DC
 Current rating: 1.0 A AMP
 Withstanding voltage: 500V AC/minute
 Insulation resistance: 100MΩ min.
 Contact resistance: 20mΩ max.

Contact material: Phosphor Bronze
 Contact plating: Tin over 50u" Ni
 Insulator material: Nylon 9T UL 94 V-0 White
 Operating Temperature: -40°C~+105°C
 Packing : Tape&Reel

RECOMMENDED PCB LAYOUT
 TOLERANCE IS ±0.05



Circuits	Dimensions		
	A	B	C
2	1.25	3.75	5.75
3	2.50	5.00	7.00
4	3.75	6.25	8.25
5	5.00	7.50	9.50
6	6.25	8.75	10.75
7	7.50	10.00	12.00
8	8.75	11.25	13.25
9	10.00	12.50	14.50
10	11.25	13.75	15.75
11	12.50	15.00	17.00
12	13.75	16.25	18.25
13	15.00	17.50	19.50
14	16.25	18.75	20.75
15	17.50	20.00	22.00

RoHS compliant
 Unit: mm

Scale	Free
TOLERANCE	
.X	±0.40
.XX	±0.25
.XXX	±0.15
DIM	TOL
Angle	±5°
①	Drawn
Id.	Modification

Date	Name	Description:
17.03.2022	Winnie	Wire to Board Connector
17.03.2022	Winnie	Pitch 1.25 SMT Wafer
ASSMANN WSW-No.		
A-WBP-D006EG-xxSR01		
Drawing-No.		ASS 9268 CO rev00
Customer-No.		
①	Drawn	17.03.2022
Id.	Modification	Date
		Name



Description:		Wire to Board Connector
Pitch		1.25 SMT Wafer
ASSMANN WSW-No.		
A-WBP-D006EG-xxSR01		
Drawing-No.		ASS 9268 CO rev00
Customer-No.		
		Sheet 1 / 3

1

2

3

4

5

6

7

1

2

3

4

5

6

7

A

A

B

B

C

C

D

D

E

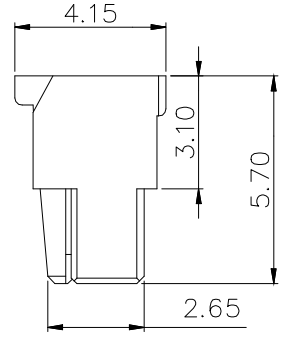
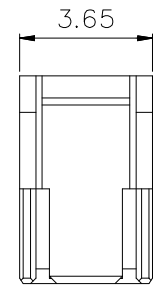
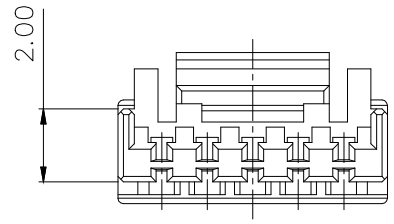
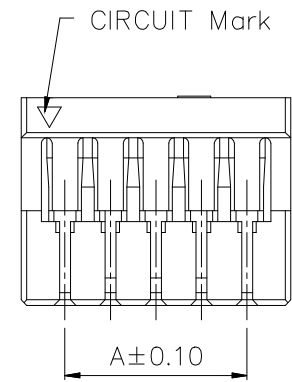
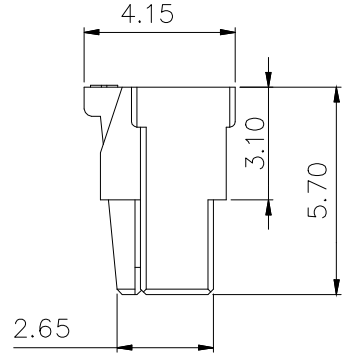
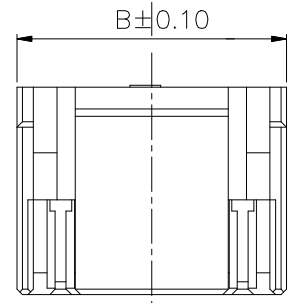
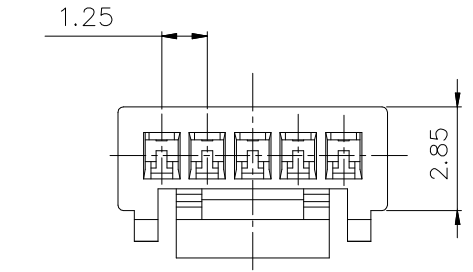
E

F

F

Notes:
 Voltage rating: 50V AC/DC
 Current rating: 1.0 A AMP
 Withstanding voltage: 500V AC/minute
 Insulation resistance: 100MΩ min.
 Contact resistance: 20mΩ max.

Insulator material: Nylon 66 UL 94 V-0 White
 Operating Temperature: -40°C~+105°C
 Packing : PE Bag



Circuits	Dimensions	
	A	B
2	1.25	3.75
3	2.50	5.00
4	3.75	6.25
5	5.00	7.50
6	6.25	8.75
7	7.50	10.00
8	8.75	11.25
9	10.00	12.50
10	11.25	13.75
11	12.50	15.00
12	13.75	16.25
13	15.00	17.50
14	16.25	18.75
15	17.50	20.00

RoHS compliant
 Unit: mm

Scale	Free					Date	Name	Description: Wire to Board Connector Pitch 1.25 Housing
TOLERANCE					Drawn	17.03.2022	Winnie	
.X	±0.40				Approved	17.03.2022	Winnie	ASSMANN WSW-No. A-WBH-D006EG-xxCB01
.XX	±0.25							Drawing-No.
.XXX	±0.15							ASS 9268 CO
DIM	TOL							rev00
Angle	±5°							Customer-No.
		①	Drawn	17.03.2022	Winnie	ASSMANN WSW components		Sheet 2 / 3
		Id.	Modification	Date	Name			

1

2

3

4

5

6

7

H

H

1

2

3

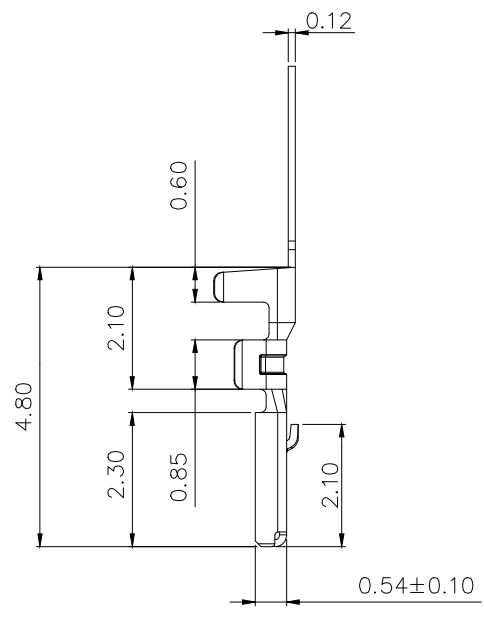
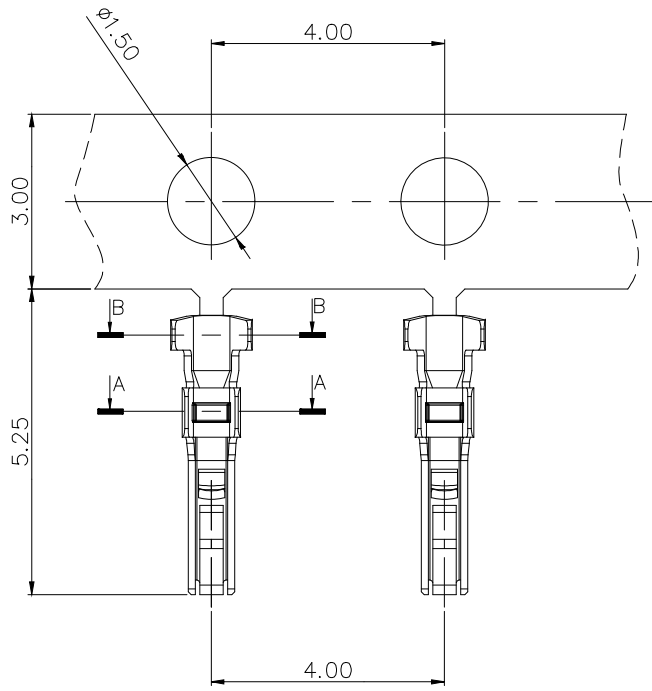
4

5

6

7

A



Notes:
 Voltage rating: 50V AC/DC
 Current rating: 1.0 A AMP
 Withstanding voltage: 500V AC/minute
 Insulation resistance: 100MΩ min.
 Contact resistance: 20mΩ max.

Contact material: Phosphor Bronze
 Contact plating: Tin over 50u" Ni
 Operating Temperature: -40°C ~ +105°C
 Insulation O.D: Ø0.80mm ~ 1.0mm (Max)
 Applicable Wire: AWG #28 ~ #32
 Packing : Reel

A

B

B

C

C

D

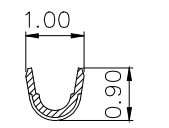
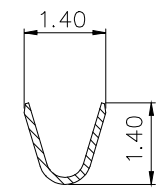
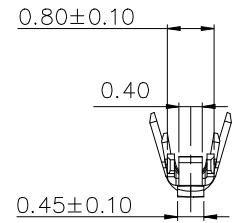
D

E

E

F

F



SECTION: B-B

SECTION: A-A

G

G

RoHS compliant
 Unit: mm

Scale	Free						Date	Name	Description: Wire to Board Connector	
TOLERANCE						Drawn	17.03.2022	Winnie	Pitch 1.25 Terminal	
.X	±0.40					Approved	17.03.2022	Winnie	ASSMANN WSW-No.	
.XX	±0.25								A-WBT-D006EG-01CR01	
.XXX	±0.15								Drawing-No.	
DIM	TOL								ASS 9268 CO	rev00
Angle	±5°							Customer-No.	Sheet 3 / 3	
		①	Drawn	17.03.2022	Winnie					
		Id.	Modification	Date	Name					

H

H

1

2

3

4

5

6

7