

1

2

3

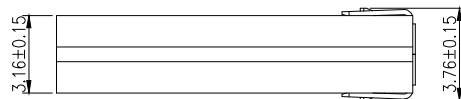
4

5

6

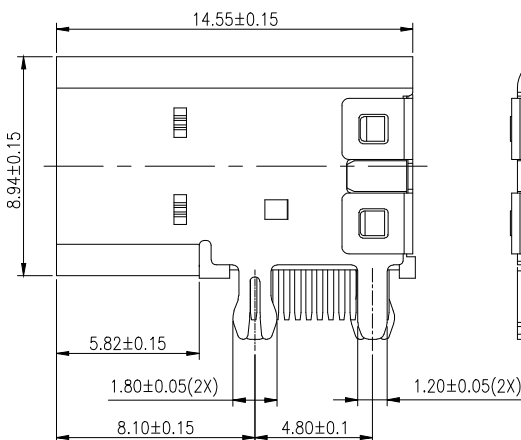
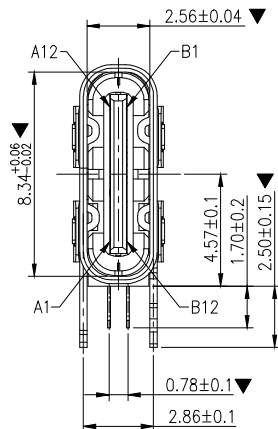
7

A



NOTE:
 1.MATERIAL SPECIFICATION:
 1.HOUSING:PA9T,UL94 V-0
 2.CONTACTS: COPPER ALLOY(C1814)
 3.MID PLATE: STAINLESS STEEL(SUS301)
 4.FRONT SHELL: STAINLESS STEEL(SUS304)
 5.EMI PLATE: STAINLESS STEEL(SUS304)
 2.PLATING SPECIFICATION:
 2-1.CONTACTS:
 Ni 30u" MIN. UNDER PLATED OVER ALL.
 Au3u" PLATED ON CONTACT AREA.
 G/F PLATED ON SOLADER AREA
 2-2.FRONT SHELL:
 Ni 30u" MIN. UNDER PLATED OVER ALL.
 2-3.MID PLATE&EMI PLATE:
 CLEAR ONLY
 3.MECHANICAL PERFORMANCE,
 3-1.INSERTION FORCE: 0.5~2.0kgf.
 3-2.REMOVAL FORCE: 0.8kgf~2.0kgf.
 3-3.DURABILITY: 10000 CYCLES.
 4.ELECTRICAL PERFORMANCE,
 4-1. CURRENT RATING:5.0A
 VOLTAGE RATING:5.0V
 4-2. LLCR:
 VBUS & GND PINS AND OTHER PINS: 40mΩ/PIN MAX.
 SHIELD: 50mΩ/MAX.
 4-3.INSULATION RESISTANCE: 100MΩ MIN
 4-4.DIELECTRIC WITHSTAND VOLTAGE,AC 100V FOR 1 MINUTE.
 5. ENVIRONMENTAL PERFORMANCE:
 OPERATING TEMPERATURE: -45°C~+85°C.
 6.IR REFLOW:
 THE PEAK TEMPERATURE ON THE BOARD SHALL
 BE MAINTAINED FOR 10 SECONDS AT 260°C.

B

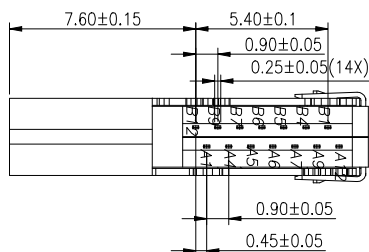


C

D

E

F



RoHS compliant
 Unit: mm

G	Scale	Free	Description: USB Connector	Date	Name	Description: USB Connector			
	TOLERANCE						USB2.0 TYPE C / FEMALE / SIDE-MOUNTED		
	X.X	±0.38					Drawn	18.03.2022	Luca
	X.XX	±0.25					Approved	18.03.2022	Luca
H	X.XXX	±0.15	ASSMANN WSW-No.		ASS 9270 CO	rev00			
	DIM TOL		A-USBC-20F0-EV-GRP01						
	X°	±2°	Drawing-No.						
	①	Drawn	18.03.2022	Luca					
	id.	Modification	Date	Name					



1

2

3

4

5

6

7

1

2

3

4

5

6

7

A

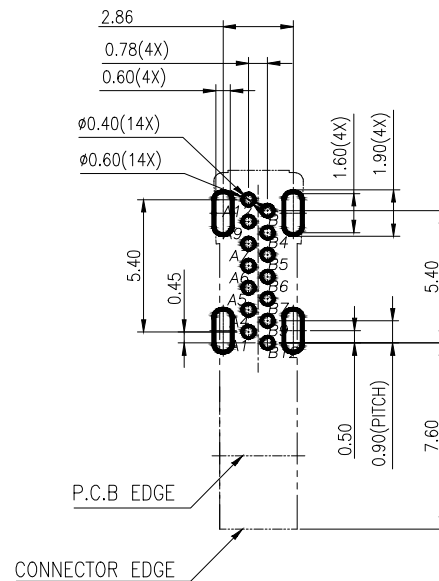
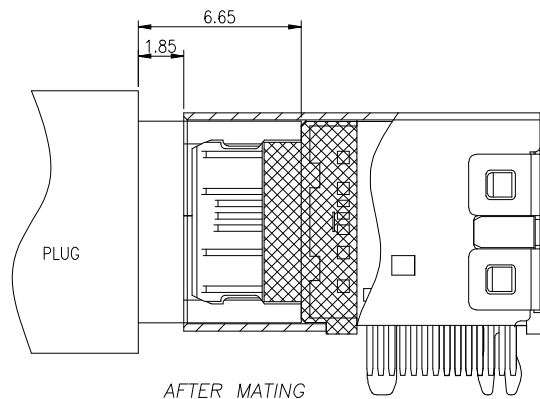
B

C

D

E

F



USB TYPE-C PIN ASSIGNMENTS

PIN NUMBER	SIGNAL NAME	PIN NUMBER	SIGNAL NAME
A1	GND	B12	GND
A4	VBUS	B9	VBUS
A5	CC1	B7	Dn2
A6	Dp1	B6	Dp2
A7	Dn1	B5	CC2
A9	VBUS	B4	VBUS
A12	GND	B1	GND

RECOMMENDED PCB LAYOUT(TOP VIEW)

THICKNESS 1.6±0.10MM;DEFAULT TOLERANCE:±0.05

G

H

RoHS compliant
Unit: mm

Scale Free

TOLERANCE

X.X ±0.38

X.XX ±0.25

X.XXX ±0.15

DIM TOL

X° ±2°

①

Drawn

18.03.2022

Luca

Id.

Modification

Date

Name

Date

Name

Description: USB Connector

USB2.0 TYPE C / FEMALE / SIDE-MOUNTED

ASSMANN WSW-No.

A-USBC-20F0-EV-GRP01

Drawing-No.

ASS 9270 CO

rev00

Customer-No.

Sheet
2/3

ASSMANN
WSW components

1

2

3

4

5

6

7

SV5151

1

2

3

4

5

6

7

A

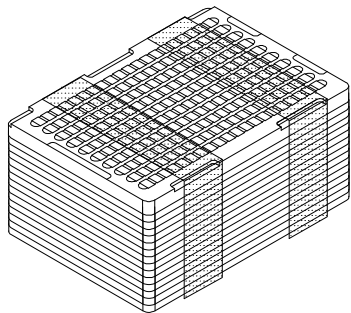
B

C

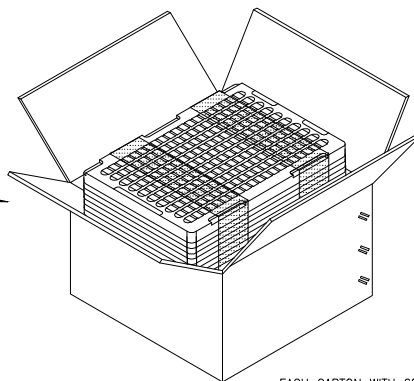
D

E

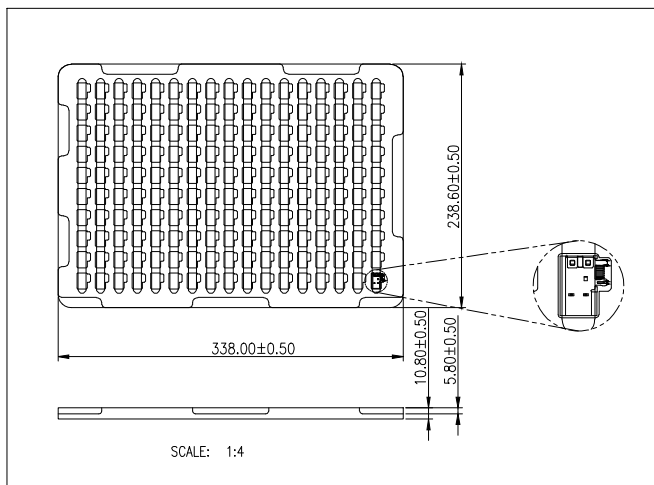
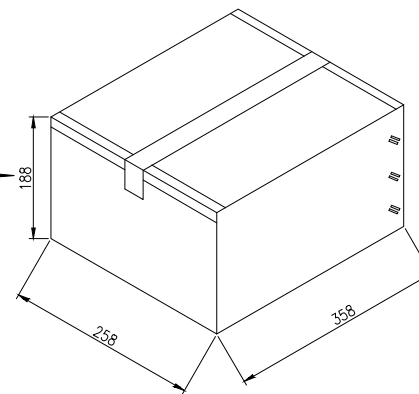
F



EACH BUNDLE WITH 40LAYERS



EACH CARTON WITH 6800 PCS PRODUCTS



SCALE: 1:4

170PCS/TRAY

RoHS compliant
Unit: mm

G	Scale	Free	Date	Name	Description: USB Connector USB2.0 TYPE C / FEMALE / SIDE-MOUNTED			
	TOLERANCE					Drawn	18.03.2022	Luca
	X.X	±0.38				Approved	18.03.2022	Luca
	X.XX	±0.25						
X.XXX	±0.15	ASSMANN WSW-No. A-USBC-20F0-EV-GRP01						
H	DIM	TOL			Drawing-No.			
	X°	±2°			ASS 9270 CO	rev00		
	①	Drawn			18.03.2022	Luca	Customer-No.	
	Id.	Modification			Date	Name		Sheet 3/3

1

2

3

4

5

6

7