

1

2

3

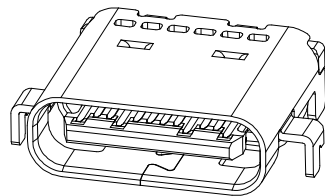
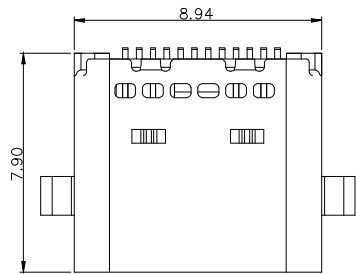
4

5

6

7

A



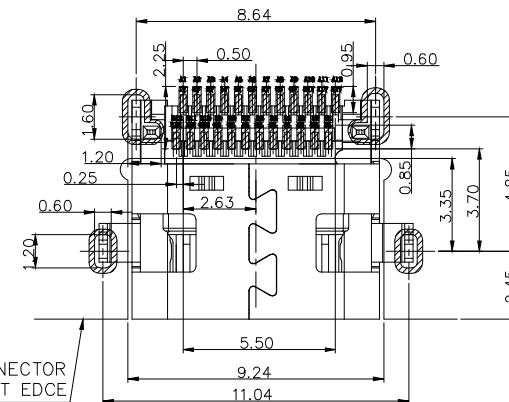
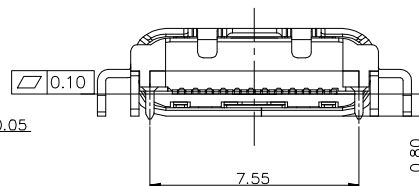
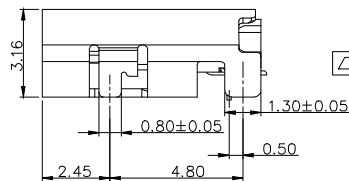
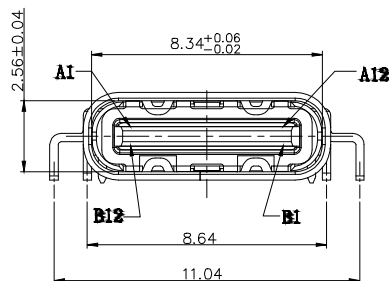
NOTES:

SPECIFICATION:

1. CURRENT RATING: 5.0A MAX
2. VOLTAGE: 100 VAC
3. TEMPERATURE RANGE: -30 °C ~ 85 °C
4. CONTACT RESISTANCE: 40 MILLIONHM MAX
5. INSULATION RESISTANCE: 100 MEGOHMS MIN.
6. LNSERTION FORCE : 5N~20N
7. UNMATING FORCE: 8N~20N
8. DURABILITY: 10,000 CYCLES

B

C

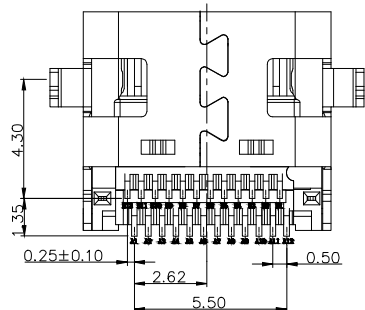


CONNECTOR FRONT EDGE

RECOMMENDED P.C.B. LAYOUT
TOLERANCE UNSPECIFIED ±0.05mm

D

E



A1	GND	B12	GND
A2	SSTXP1	B11	SSRXP1
A3	SSTXN1	B10	SSRXN1
A4	VBUS	B9	VBUS
A5	CC1	B8	SBU2
A6	DP1	B7	DN2
A7	DN1	B6	DP2
A8	SBU1	B5	CC2
A9	VBUS	B4	VBUS
A10	SSRXN2	B3	SSTXN2
A11	SSRXP2	B2	SSTXP2
A12	GND	B1	GND
PIN	SIGNAL NAME	PIN	SIGNAL NAME

F

5	SHELL	STAINLESS STEEL	NI/SN Plated	1PCS
4	SPRING	STAINLESS STEEL	—	1PCS
3	SHIELDING PLATE	STAINLESS STEEL	NI Plated	1PCS
2	CONTACT	COPPER ALLOY	Au/Ni Plated	1SET
1	HOUSING	HIGH TEMPERATURE PLASTIC	BLACK	1PCS
NO.	DESCRIPTION	MATERIAL	REMARKS	QTY

G

RoHS compliant
Unit: mm

Scale Free

TOLERANCE

X.X ±0.38

X.XX ±0.25

X.XXX ±0.15

DIM TOL

X° ±2°

①	Drawn	20.04.2022	Luca
Id.	Modification	Date	Name

ASSMANN
WSW components

Date	Name	Description: USB Connector
20.04.2022	Luca	USB TYPE C / USB3.2 GEN2/ FEMALE
Approved	20.04.2022	Luca
ASSMANN WSW-No. A-USBC-32F2-EA-KSR01		
Drawing-No.		ASS 9275 CO
Customer-No.		rev00
		Sheet 1/2

H

1

2

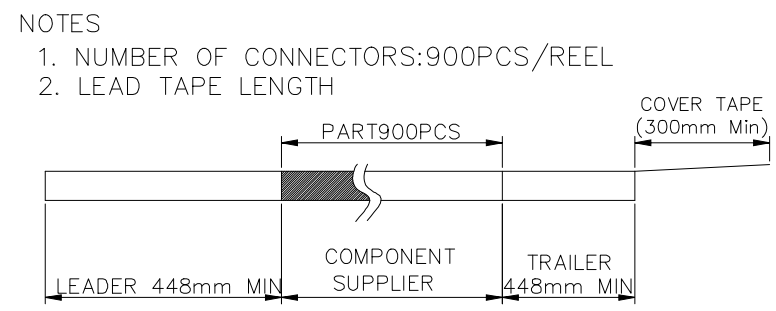
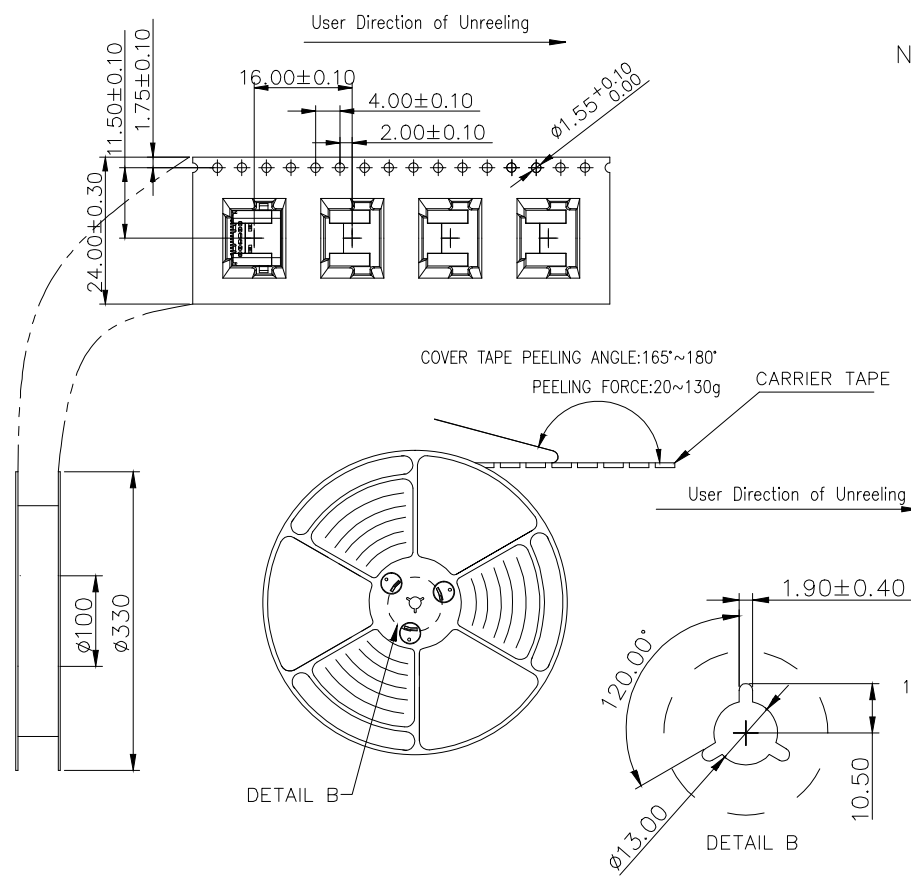
3

4

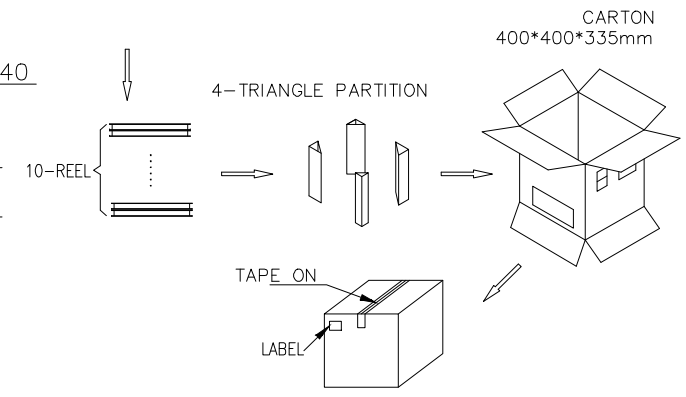
5

6

7



3. QUANTITY: 9000PCS/CARTON



RoHS compliant
Unit: mm

Scale	Free						Date	Name	Description: USB Connector USB TYPE C / USB3.2 GEN2/ FEMALE
TOLERANCE						Drawn	20.04.2022	Luca	
X.X	±0.38					Approved	20.04.2022	Luca	ASSMANN WSW-No. A-USBC-32F2-EA-KSR01
X.XX	±0.25								
X.XXX	±0.15								Drawing-No. ASS 9275 CO rev00
DIM	TOL								
X°	±2°								Customer-No. Sheet 2/2
①	Drawn		20.04.2022	Luca					
Id.	Modification		Date	Name					