

1

2

3

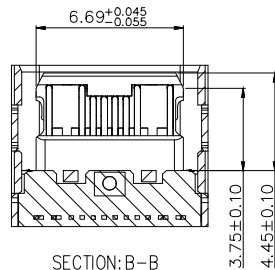
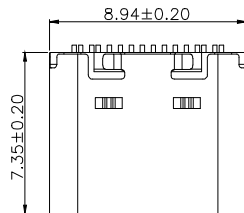
4

5

6

7

A



B

C

D

E

F

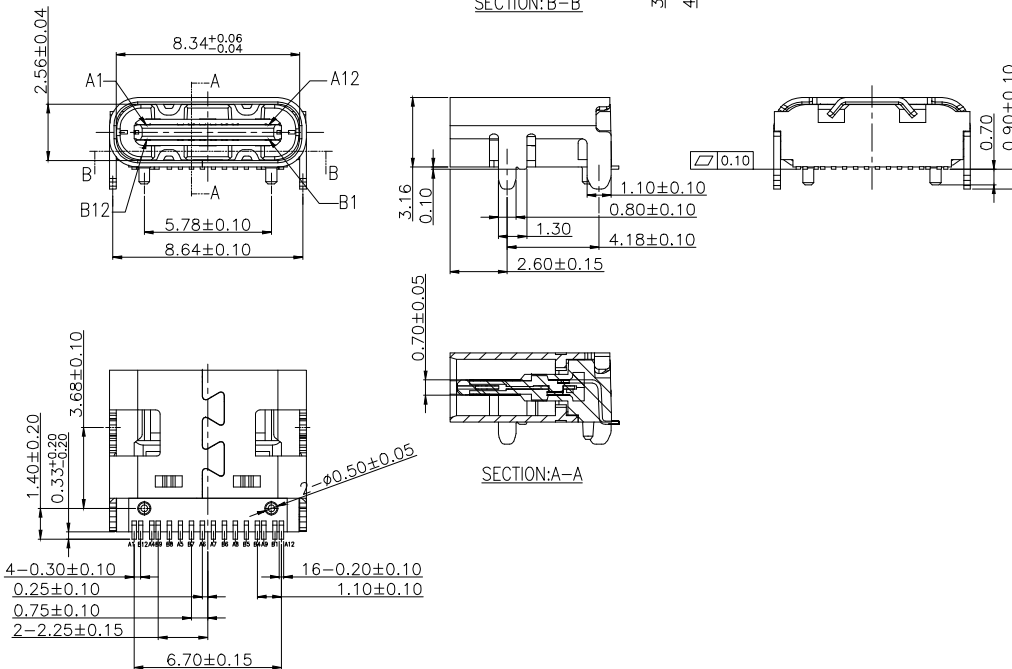
G

H

NOTES:

SPECIFICATION:

1. CURRENT RATING: 5.0A MAX.
2. WITHSTANDING VOLTAGE: 100 VAC.
3. TEMPERATURE RANGE: -30 °C ~ 85 °C.
4. CONTACT RESISTANCE: 40 MILLIONHM MAX.
5. INSULATION RESISTANCE: 100 MEGOHMS MIN.
6. INSERTION FORCE : 5N~20N.
7. UNMATING FORCE: 8N~20N.
8. DURABILITY: 10,000 CYCLES .



6	SHELL	SUS304	NI Plated	1PCS
5	SHIELDING PLATE	SUS301	---	1PCS
4	MD	LCP UL94V-0	BLACK	1PCS
3	CONTACT	C1814	Au/Ni Plated	1SET
2	CONTACT	C1814	Au/Ni Plated	1SET
1	HOUSING	LCP UL94V-0	BLACK	1PCS
NO.	DESCRIPTION	MATERIAL	REMARKS	QTY

RoHS compliant
Unit: mm

Scale Free

TOLERANCE

X.X ±0.35

X.XX ±0.25

X.XXX ±0.15

DIM TOL

X° ±2°

①

Update packing

03.05.2023

Luca

②

Drawn

18.03.2022

Luca

Id.

Modification

Date

Name

Date

Name

Description: USB Connector

TYPE C / FEMALE / 16pin

ASSMANN WSW-No.

A-USBC-20F0-EA-GSR04

Drawing-No.

ASS 9283 CO

rev01

Customer-No.

Sheet
1/3

ASSMANN
WSW components

1

2

3

4

5

6

7

SV5151

1

2

3

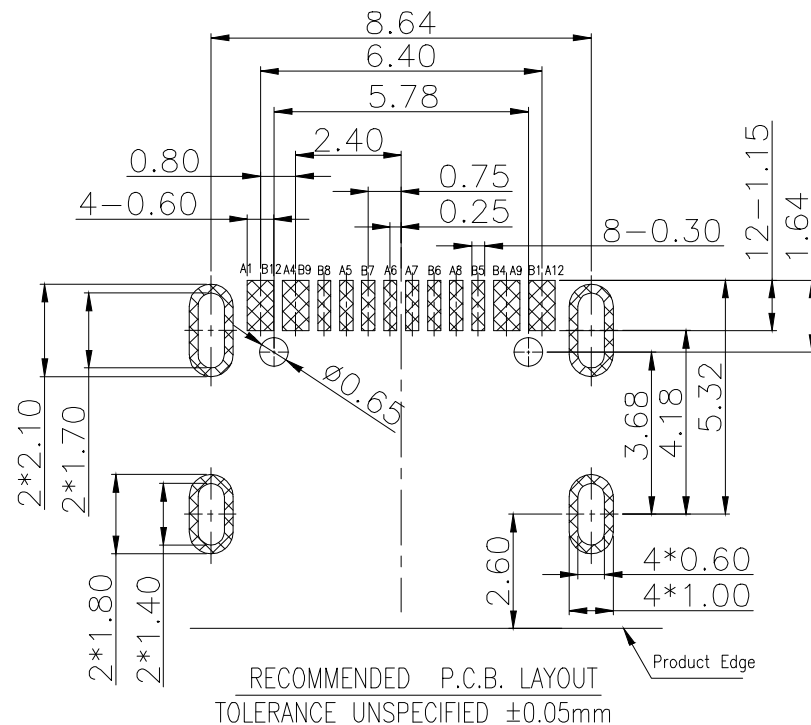
4

5

6

7

A1	GND	B12	GND
A4	VBUS	B9	VBUS
A5	CC1	B8	SBU2
A6	DP1	B7	DN2
A7	DN1	B6	DP2
A8	SBU1	B5	CC2
A9	VBUS	B4	VBUS
A12	GND	B1	GND
PIN	SIGNAL NAME	PIN	SIGNAL NAME



RECOMMENDED P.C.B. LAYOUT
TOLERANCE UNSPECIFIED $\pm 0.05\text{mm}$

Product Edge

RoHS compliant
Unit: mm

Scale Free

TOLERANCE

X.X ± 0.35

X.XX ± 0.25

X.XXX ± 0.15

DIM TOL

X° $\pm 2^\circ$

①

Update packing

03.05.2023

Luca

②

Drawn

18.03.2022

Luca

Id.

Modification

Date

Name

Date

Name

Description: USB Connector

TYPE C / FEMALE / 16pin

ASSMANN WSW-No.

A-USBC-20F0-EA-GSR04

Drawing-No.

ASS 9283 CO

rev01

Customer-No.

Sheet
2/3

ASSMANN
WSW components

1

2

3

4

5

6

7

SV5151

1 2 3 4 5 6 7

A B C D E F

NOTES

1. NUMBER OF CONNECTORS:1000PCS/REEL ①
2. LEAD TAPE LENGTH

3. QUANTITY: 15000PCS / CARTON ①

RoHS compliant
Unit: mm

Scale	Free					Date	Name	Description: USB Connector TYPE C / FEMALE / 16pin	
TOLERANCE					Drawn	18.03.2022	Luca		
X.X	±0.35				Approved	03.05.2023	Luca	ASSMANN WSW-No. A-USBC-20F0-EA-GSR04	
X.XX	±0.25								
X.XXX	±0.15							Drawing-No.	
DIM	TOL	①	Update packing	03.05.2023	Luca	ASSMANN WSW components		ASS 9283 CO	rev01
X°	±2°	②	Drawn	18.03.2022	Luca			Customer-No.	Sheet 3/3
		Id.	Modification	Date	Name				

1 2 3 4 5 6 7

SV5151